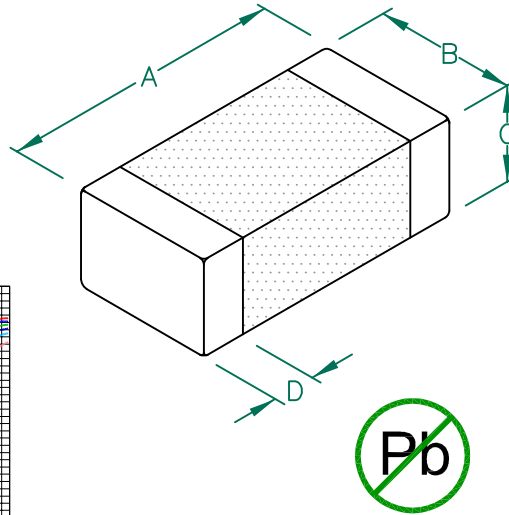


# MI1206K260R-10

**UNCONTROLLED DOCUMENT**

PHYSICAL DIMENSIONS:

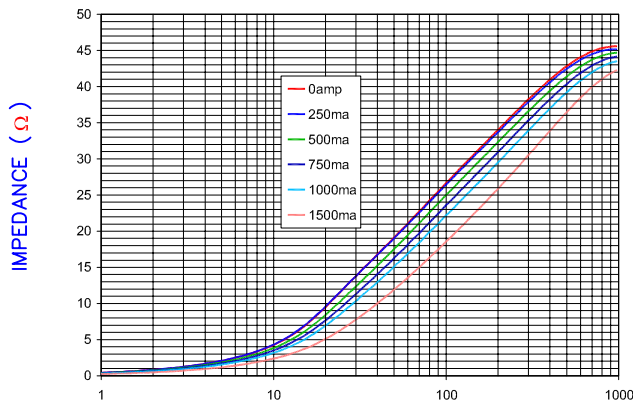
A	3.20 [.126]	+ 0.20 [.008]
B	1.60 [.063]	+ 0.20 [.008]
C	1.10 [.043]	+ 0.20 [.008]
D	0.51 [.020]	+ 0.25 [.010]



ELECTRICAL CHARACTERISTICS:		
Z @ 100MHz ( $\Omega$ )	DCR ( $\Omega$ )	Rated Current
Nominal	26	
Minimum	20	
Maximum	33	1500 mA

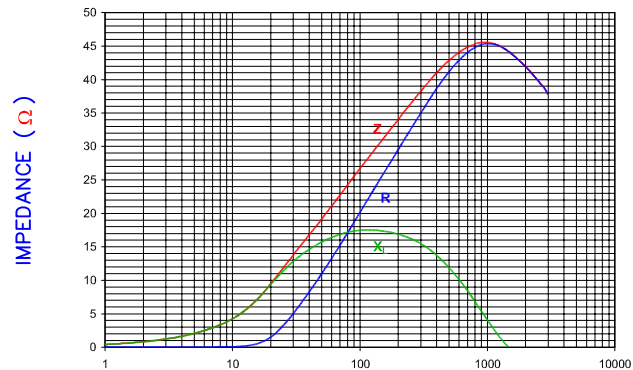
- NOTES: UNLESS OTHERWISE SPECIFIED
1. TAPED AND REELED per CURRENT EIA SPECIFICATIONS 7" REELS, 3000 PCS/REEL.
  2. COMPONENTS SHOULD BE ADEQUATELY PREHEATED BEFORE SOLDERING.
  3. TERMINATION FINISH IS 100% TIN.
  4. OPERATING TEMP. RANGE:  $-40^{\circ}\text{C} \sim +125^{\circ}\text{C}$ . (INCLUDING SELF-HEATING)

Z vs FREQUENCY  
IMPEDANCE UNDER DC BIAS



FREQUENCY (MHz)

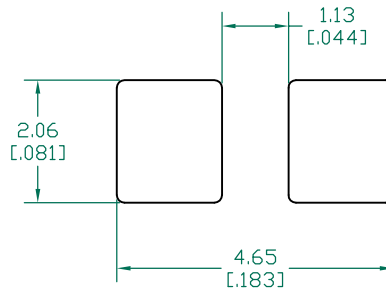
|Z|, R, AND X vs. FREQUENCY



FREQUENCY (MHz)

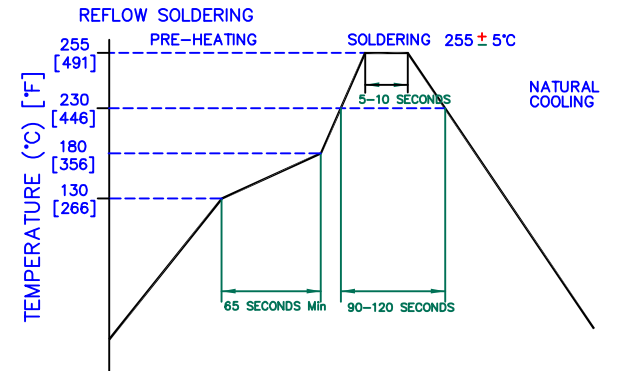
Z R X<sub>L</sub>

LAND PATTERNS FOR REFLOW SOLDERING



(For wave soldering, add 0.762 (.030) to this dimension)

RECOMMENDED SOLDERING CONDITIONS



DIMENSIONS ARE IN mm [INCHES].				This print is the property of Laird Tech. and is loaned in confidence subject to return upon request and with the understanding that no copies shall be made without the written consent of Laird Tech. All rights to design or invention are reserved.		<b>Laird</b>	
C	ADD OPERATING TEMPERATURE UPDATE LAIRD LOGO AND REFLOW CURVE	08/05/13	QU	PROJECT/PART NUMBER:	MI1206K260R-10		
B	UPDATE COMPANY LOGO ADD ROHS	8/20/08	JRK	REV	C	PART TYPE:	CO-FIRE
A	ORIGINAL DRAFT	04/13/04	JRK	DATE:	04/13/04	SCALE:	NTS
REV	DESCRIPTION	DATE	INT	CAD #	TOOL #		SHEET:
					MI1206K260R-10-C		2 of 2