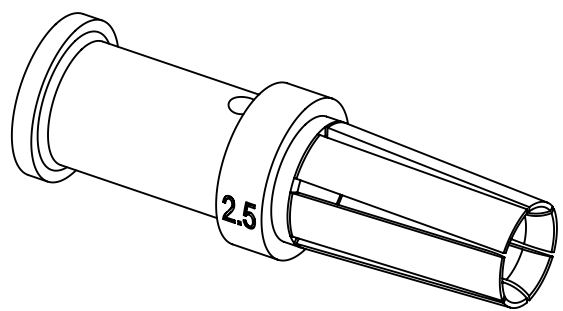
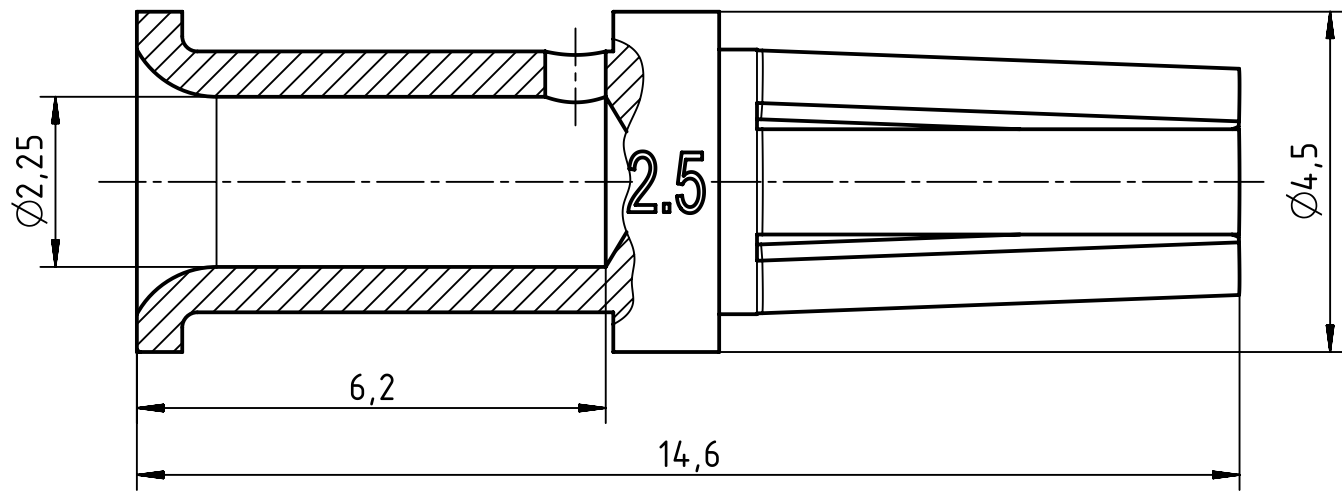


A


B

C

D



wire gauge: 2.5mm² / AWG 14
 stripping length: 6.5mm
 coating: silver plated

	All Dimensions in mm Original Size DIN A4		Scale 10:1	Free size tol.		Ref.	
	All rights reserved Department EL PD - DE		Created by HOLLERT	Inspected by RIEPE	Standardisation TIEMANNA	Date 2013-11-28	State Final Release
HARTING Electric GmbH & Co. KG D-32339 Espelkamp		Title Han-Yellock Crimp contact female 2.5mm ²				Doc-Key / ECM-Nr. 100188833/UGD/006/E 500000068615	
		Type TB	Number 11 05 000 6206			Rev. E	Page 1/1