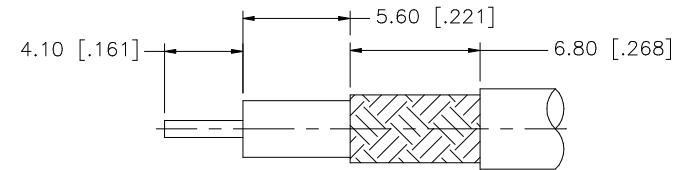
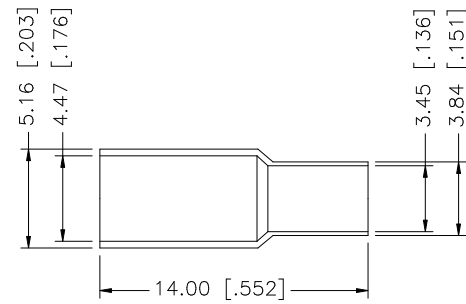
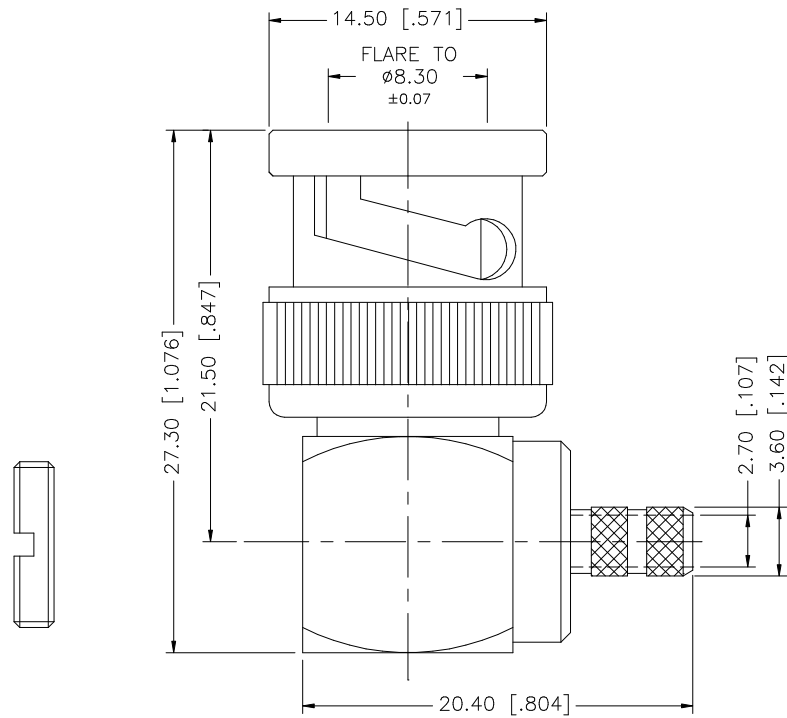


REV.	DATE	DESCRIPTION
NC	01/30/07	INITIAL RELEASE



RECOMMENDED
CABLE STRIPPING DIM'S

NOTE:

1. CRIMPED FERRULE HEX CRIMP SIZE .178"
2. CONTACT PIN TO SOLDER

				UNLESS OTHERWISE SPECIFIED DIMENSIONS ARE IN MILLIMETERS. DIMENSIONS IN [] ARE IN INCHES AND FOR CUSTOMER REFERENCE ONLY.	APPROVALS	DATE	Amphenol Connex						
8					DRAWN	G.R.S.					01/30/07	PART DESCRIPTION BNC R/A CRIMP PLUG (316/U DOUBLE BRAID CABLE) PART NO. 112528 DWG. NO. 112528.DWG	
7					CHECKED								
6					ISSUED								
5					SHEET	1 OF 1							
4	FERRULE	COPPER	NICKEL	1	CAD FILE			REV.	NC	SIZE	A		
3	CONTACT PIN	PHOS. BRONZE	GOLD	1	UNLESS OTHERWISE SPECIFIED TOLERANCES FOR MILLIMETERS ARE: 0.5 - 8mm ± 0.20mm 8 - 30mm ± 0.40mm 30 - 120mm ± 0.50mm UNLESS OTHERWISE SPECIFIED TOLERANCES FOR INCHES ARE: .020 - .315 = ± 0.007" .315 - 1.180 = ± 0.015" 1.180 - 4.724 = ± 0.020"			DO NOT SCALE DRAWING			C:/112/112528.DWG		
2	INSULATOR	DELTRIN	NATURAL	1									
1	BODY	BRASS	NICKEL	1									
DESCRIPTION				MATERIAL	FINISH	QTY							