

A B C D E F

| REV. | MODIFICATION. | DATE | DRN |
|------|---------------------|----------|-----|
| 01 | NEW DWG, ECN 05-049 | 13/04/05 | NJB |
| 02 | ECN05-038 | 21/07/05 | OW |
| 03 | ECR05-095 | 31/08/05 | OW |
| 04 | CO 2011286 | 03/09/12 | SF |

| Material: Nylon 6/6 UL94 V2 RMS-01 | | Material: Nylon 6/6 UL94 V0 RMS-19 | | Mounting Hole Dia | Total Holding Thickness | 'C' | 'D' Dia | 'E' | Fig |
|------------------------------------|---------------|------------------------------------|--|-------------------|-------------------------|-----|---------|------|-----|
| Colour: Natural | Colour: Black | Colour: Natural | | | | | | | |
| MMB-125-01 | MMB-125-01BK | MMB-125-19 | | 3.10 - 3.22 | 2.0 - 2.5 | 1.0 | 6.9 | 8.4 | 1 |
| MMB-136-01 | MMB-136-01BK | MMB-136-19 | | 3.32 - 3.58 | 2.9 - 4.0 | 1.7 | 10.3 | 11.1 | |
| MMB-187-01 | MMB-187-01BK | MMB-187-19 | | 4.61 - 4.88 | 2.5 - 4.0 | 2.2 | 12.7 | 10.9 | |
| MMB-250-01 | MMB-250-01BK | MMB-250-19 | | 6.27 - 6.42 | 2.5 - 5.6 | 2.2 | 12.7 | 16.3 | |
| MMB-210-01 | MMB-210-01BK | MMB-210-19 | | 5.0 - 5.4 | 2.5 - 4.0 | 3.0 | 14 | 14 | 2 |
| MMB-130-01 | MMB-130-01BK | MMB-130-19 | | 3.3 - 3.4 | 1.6 - 3.2 | 1.5 | 7.1 | 9.9 | 3 |
| MMB-132-01 | MMB-132-01BK | MMB-132-19 | | 5.4 - 5.6 | 1.6 - 3.2 | 1.5 | 9.4 | 11.5 | |

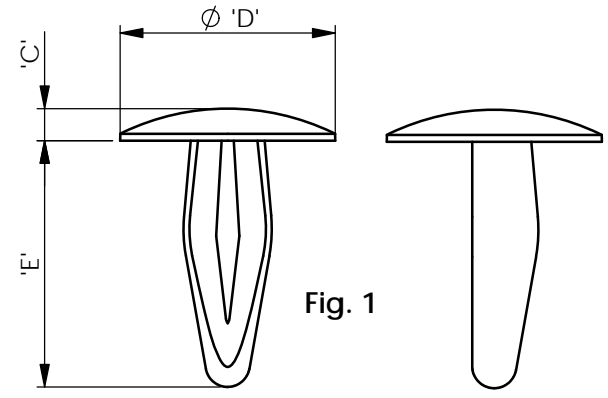


Fig. 1

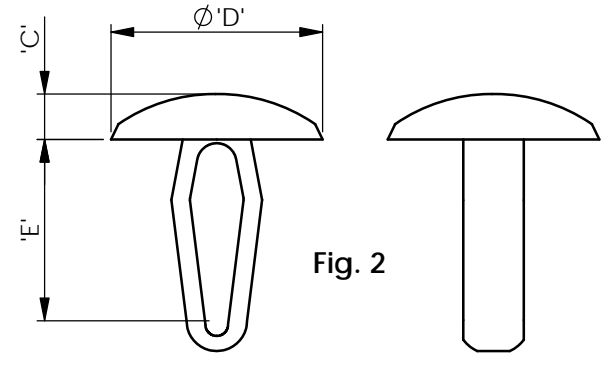


Fig. 2

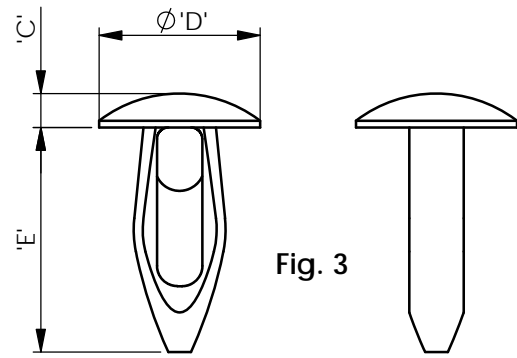


Fig. 3

INFORMATION CONTAINED IN THIS DOCUMENT IS CONFIDENTIAL TO RICHCO INTERNATIONAL Co. Ltd. AND MAY NOT BE DISCLOSED OR REPRODUCED IN WHOLE OR PART WITHOUT THEIR WRITTEN CONSENT.

RICHCO, INC.
WWW.RICHCO-INC.COM

GENERAL TOLERANCES ±0.25
UNLESS OTHERWISE STATED
1 DECIMAL PLACE ± 0.25
2 DECIMAL PLACES ± 0.1
ANGULAR ±1°



| | | | |
|--------------------------------------|---------------------|-----------------------|-----------------|
| MATERIAL: SEE TABLE | | COLOUR: SEE TABLE | |
| DESCRIPTION: MINI MOUNTING BUTTON | | PART No: SEE TABLE | |
| DRG No: 05-043 | NPR No: 2003-321 | SHEET SIZE A4 | |
| DRN NJB | DATE 13/04/05 | CHKD TC | DATE 29/8/12 |
| SCALE NTS | | SHEET No. 1 OF 1 | |