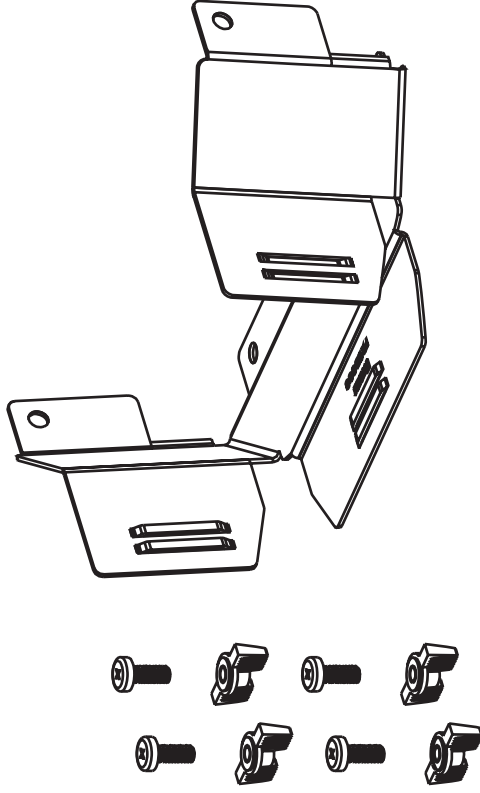
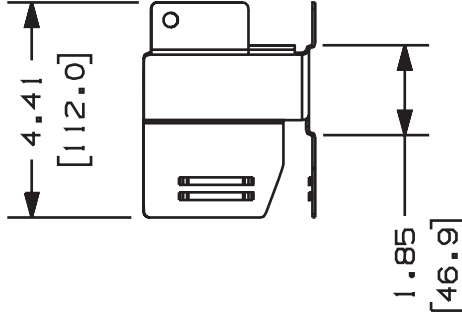
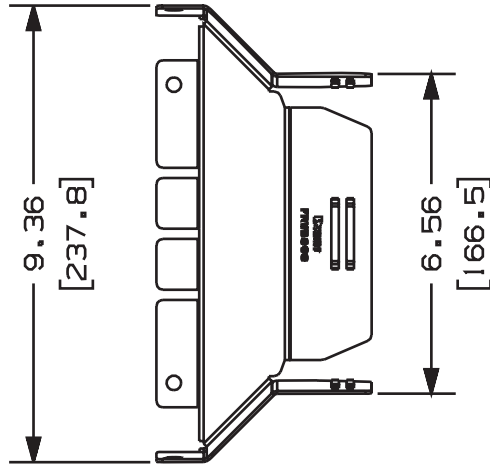


THIS COPY IS PROVIDED ON A RESTRICTED BASIS AND IS NOT TO BE USED IN ANY WAY DETRIMENTAL TO THE INTERESTS OF PANDUIT CORP.



ENG. REF.: D38240BE_DC_FRWBS68_00A.prt

CAD FILENAME/LAYERS

38240-04.pdf

PANDUIT

PANDUIT CORP TINLEY PARK, ILLINOIS
 FIBERRUNNER™ 6x4 WARREN & BROWN
 LIGHTPATH 8x4 ADAPTER (FRWBS68)
 CUSTOMER DRAWING

UNLESS OTHERWISE SPECIFIED:
 DIMENSIONAL TOLERANCES ARE:
 (.X) ± .XXX
 (.XX) ± .031(.8)
 ANGLES: ±

UNLESS OTHERWISE SPECIFIED,
 ALL DIMENSIONS ARE GIVEN IN
 INCHES, THIRD ANGLE PROJECTION.

DRAWN BY: MSO

DATE: 1-2-02

CHK'D

SCALE: NONE

DRAWING NO.: 38240-04

SIZE: A

RELEASED TO PRODUCTION 38240-04

REVISIONS

REV	DATE	BY	CHK	DESCRIPTION	ECN	R	CUST	SUP	GMBH
R	1-2-02	MSO							