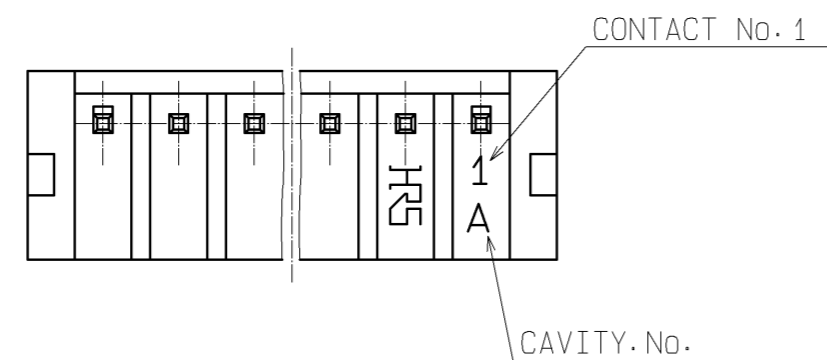
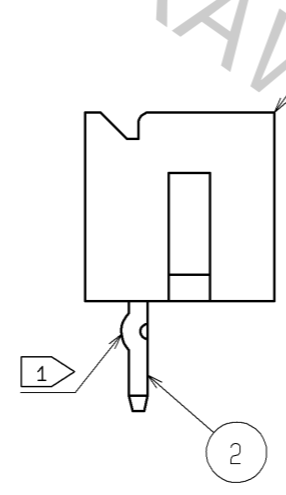
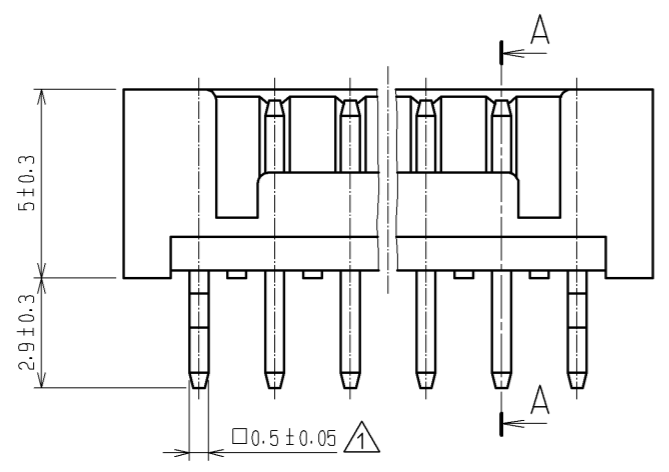
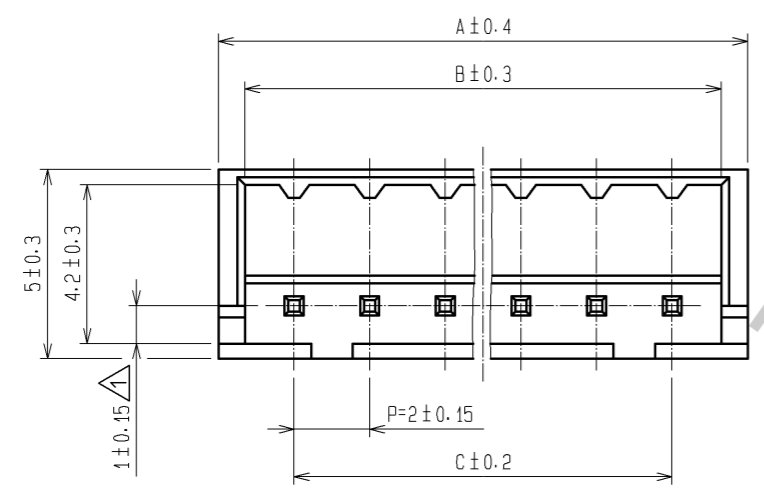
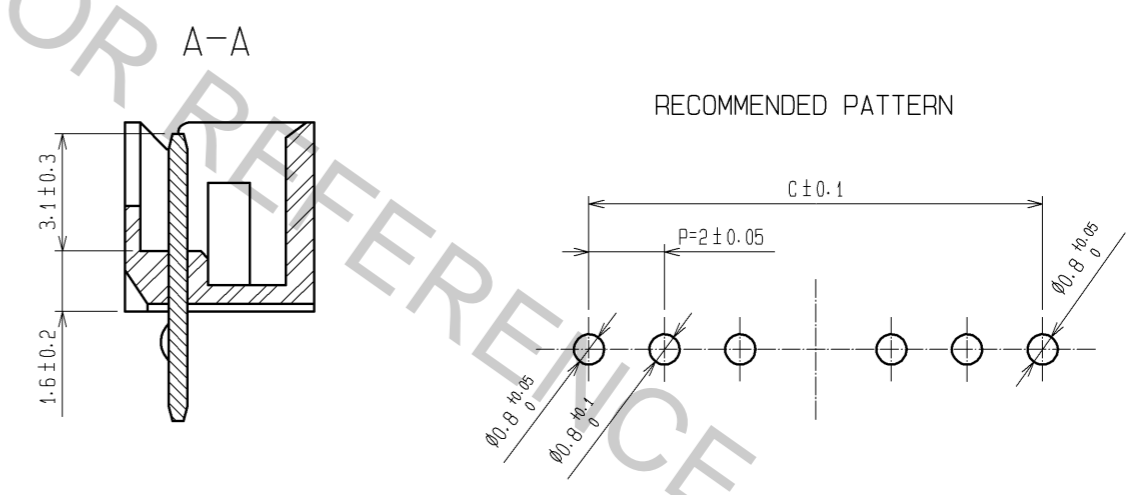


Apr.1.2017 Copyright 2017 HIROSE ELECTRIC CO., LTD. All Rights Reserved.



| HRS NO. | PART NO. | NUMBER OF CONTACT | A | B | C |
|-----------------|------------------|-------------------|------|------|------|
| CL543-0017-2-01 | DF3- 2P-2DSA(01) | 2 | 6.0 | 4.6 | 2.0 |
| CL543-0018-5-01 | DF3- 3P-2DSA(01) | 3 | 8.0 | 6.6 | 4.0 |
| CL543-0019-8-01 | DF3- 4P-2DSA(01) | 4 | 10.0 | 8.6 | 6.0 |
| CL543-0020-7-01 | DF3- 5P-2DSA(01) | 5 | 12.0 | 10.6 | 8.0 |
| CL543-0021-0-01 | DF3- 6P-2DSA(01) | 6 | 14.0 | 12.6 | 10.0 |
| CL543-0022-2-01 | DF3- 7P-2DSA(01) | 7 | 16.0 | 14.6 | 12.0 |
| CL543-0023-5-01 | DF3- 8P-2DSA(01) | 8 | 18.0 | 16.6 | 14.0 |
| CL543-0024-8-01 | DF3- 9P-2DSA(01) | 9 | 20.0 | 18.6 | 16.0 |
| CL543-0025-0-01 | DF3-10P-2DSA(01) | 10 | 22.0 | 20.6 | 18.0 |
| CL543-0026-3-01 | DF3-11P-2DSA(01) | 11 | 24.0 | 22.6 | 20.0 |
| CL543-0027-6-01 | DF3-12P-2DSA(01) | 12 | 26.0 | 24.6 | 22.0 |
| CL543-0028-9-01 | DF3-13P-2DSA(01) | 13 | 28.0 | 26.6 | 24.0 |
| CL543-0029-1-01 | DF3-14P-2DSA(01) | 14 | 30.0 | 28.6 | 26.0 |
| CL543-0030-0-01 | DF3-15P-2DSA(01) | 15 | 32.0 | 30.6 | 28.0 |



NOTES ①: No. 1 AND * CONTACT SHALL BE PROCESSED KINK. (*=2-15)

| | | | | | |
|---------------------------|-----------|-------------------------|------------|--|--|
| 1 | POLYAMIDE | BLACK. UL94V-0 | 2 | BRASS | SURFACE:GOLD PLATED 0.2μm MIN. UNDER PLATING:NICKEL PLATED 0.5μm MIN. |
| NO. | MATERIAL | FINISH . REMARKS | NO. | MATERIAL | FINISH . REMARKS |
| UNITS mm | | SCALE 5 : 1 | COUNT 3 | DESCRIPTION OF REVISIONS DIS-H-004736 | DESIGNED MI. SAKIMURA |
| | | APPROVED : KJ. KATAYOSE | 05. 01. 05 | DRAWING NO. | EDC3-162396-01 |
| HIROSE ELECTRIC CO., LTD. | | CHECKED : KI. AKIYAMA | 05. 01. 05 | PART NO. | DF3- *P-2DSA(01) |
| | | DESIGNED : TH. ARAI | 05. 01. 05 | CODE NO. | DF3- *P-2DSA(01) |
| | | DRAWN : TH. ARAI | 05. 01. 05 | | |