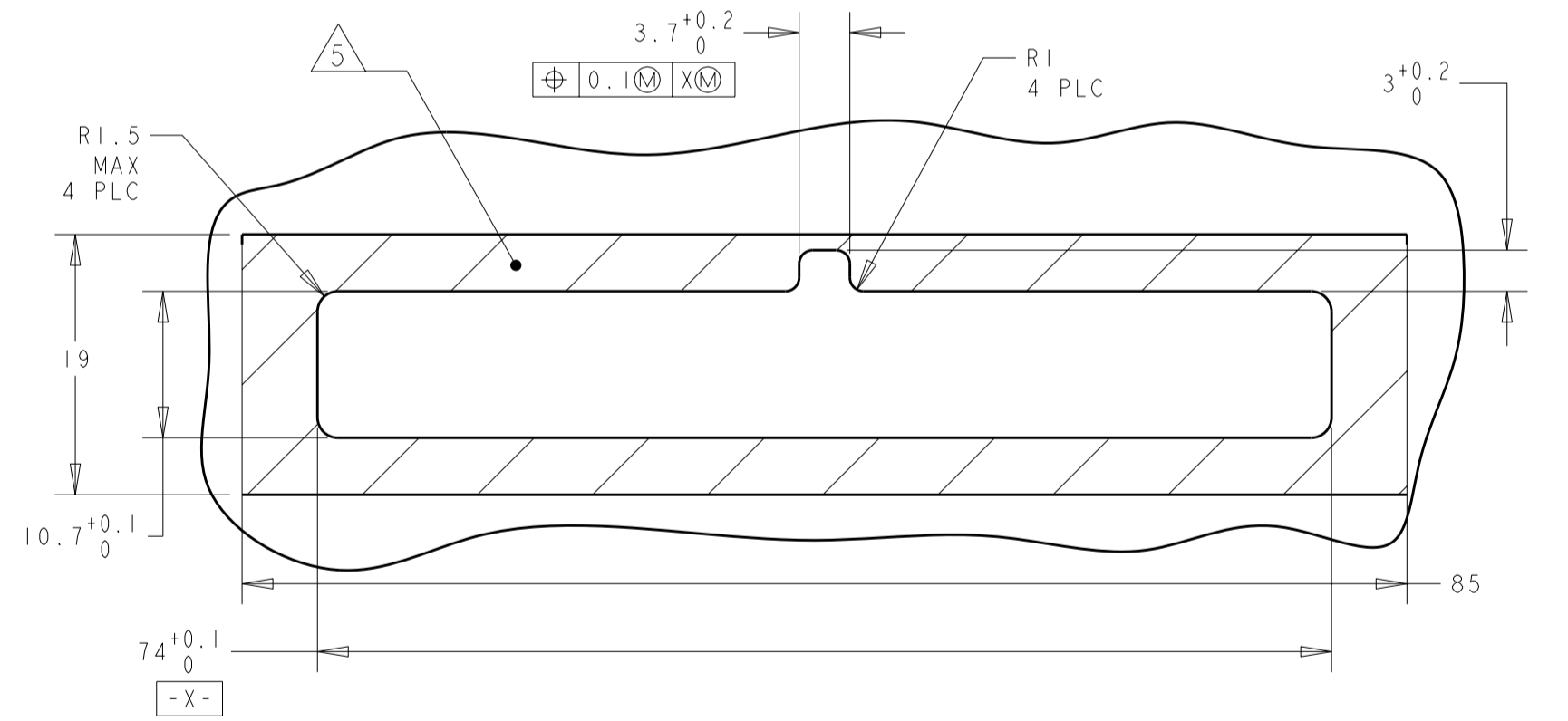
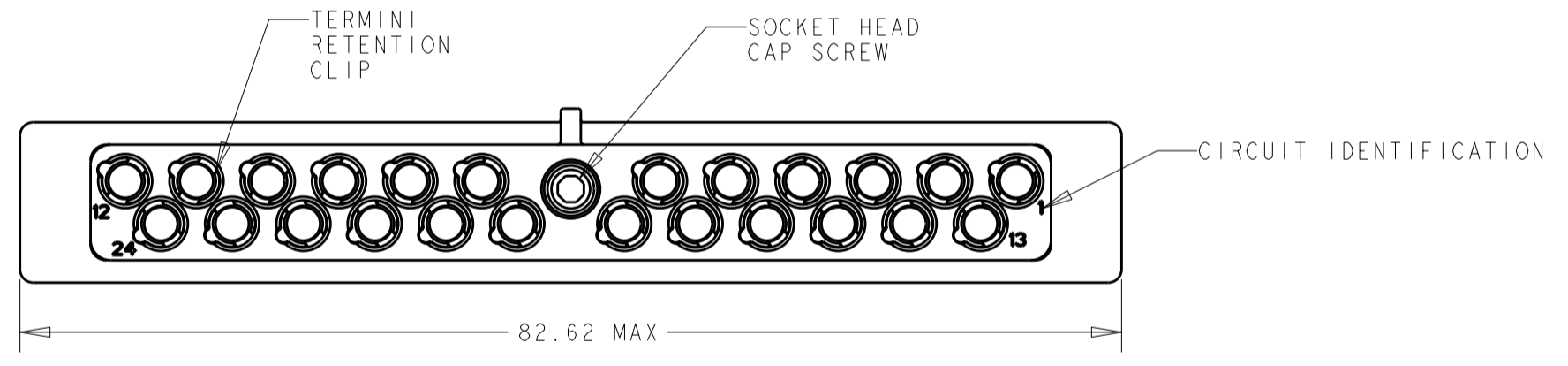
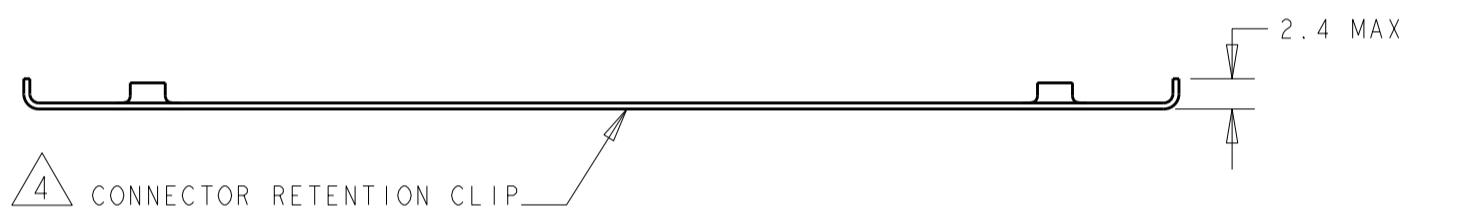
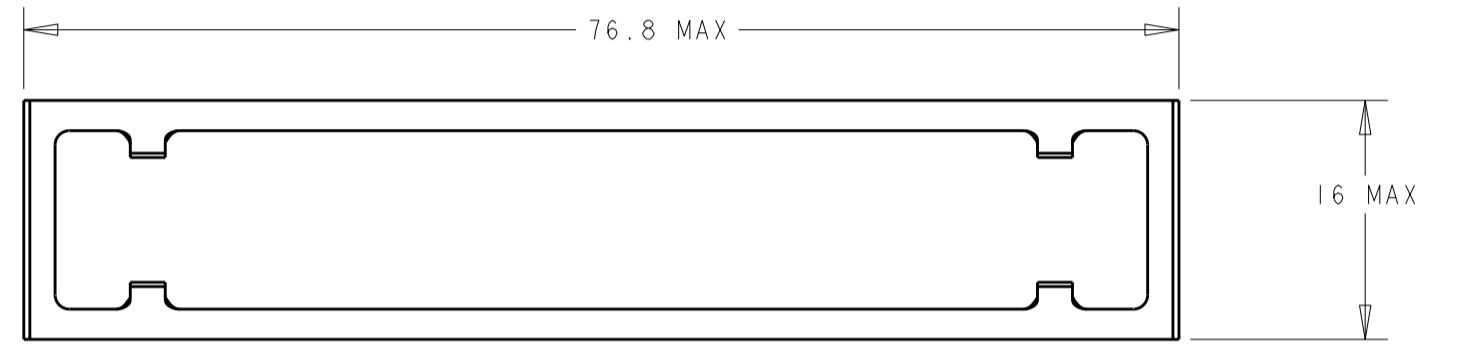
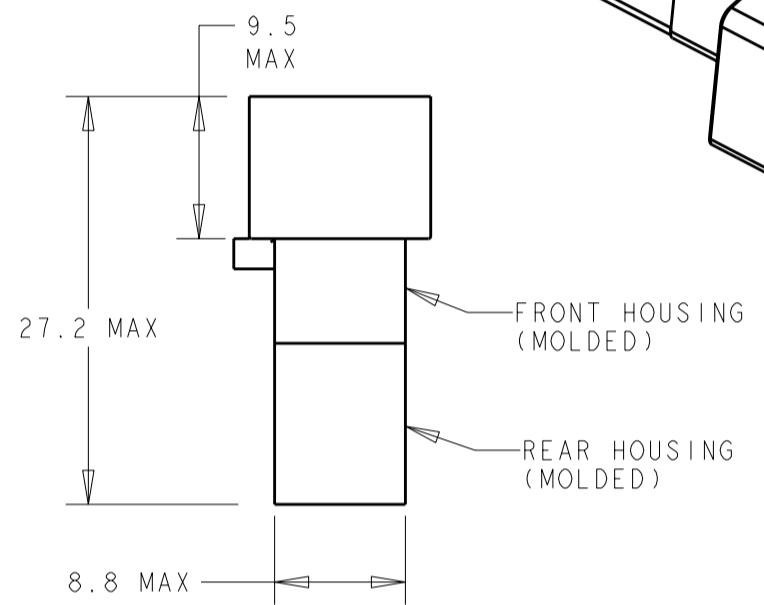
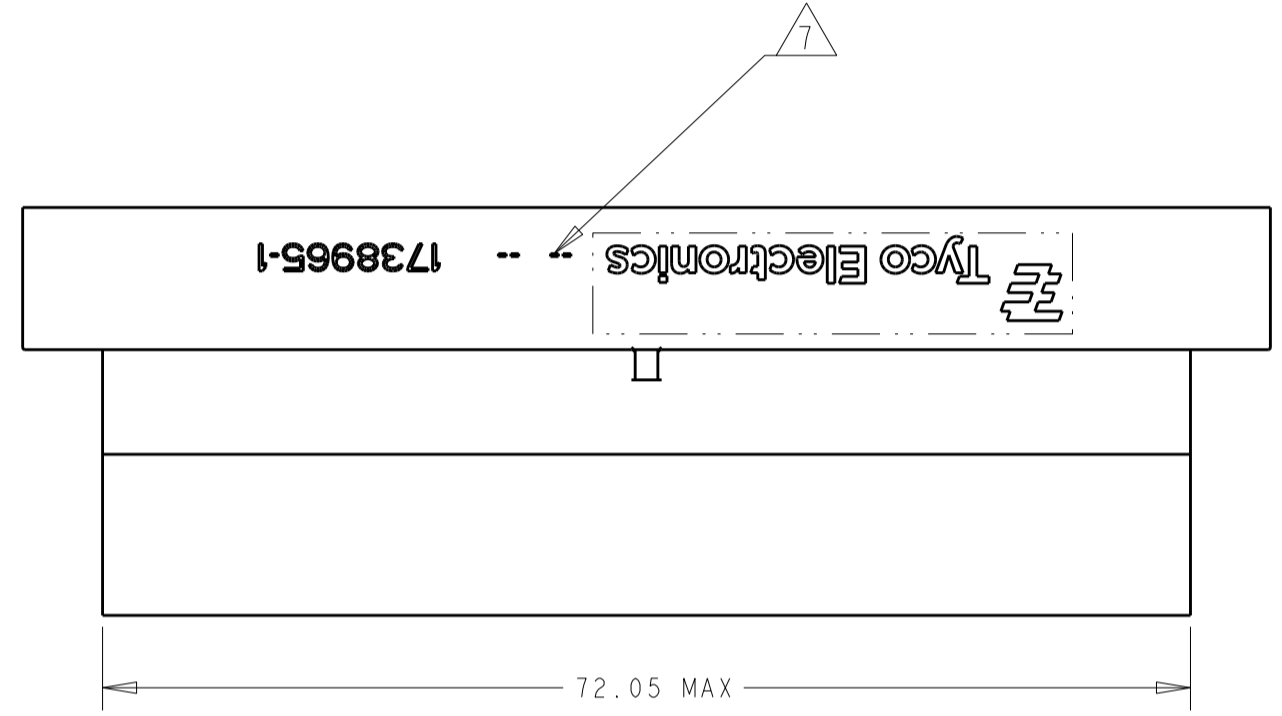
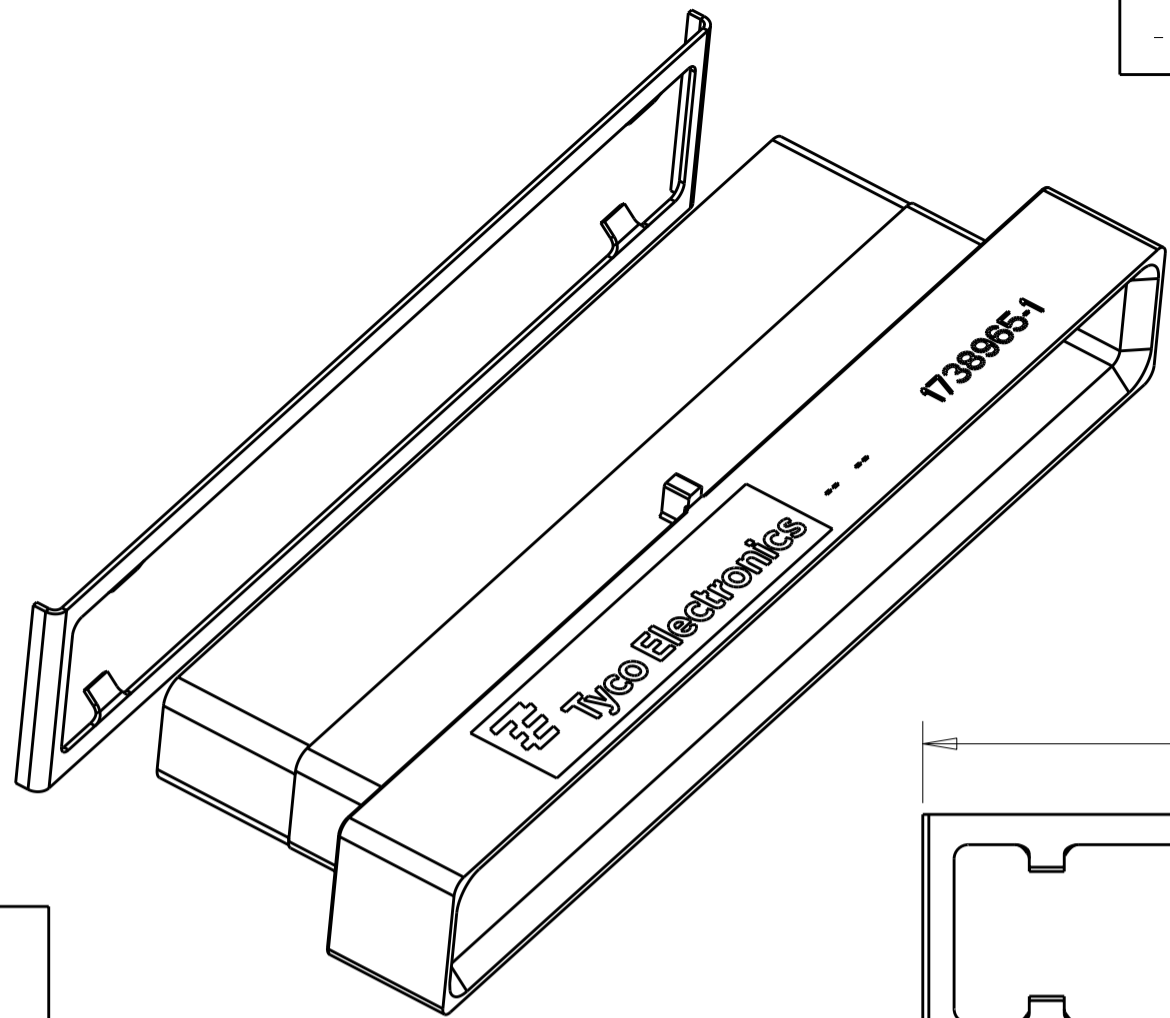
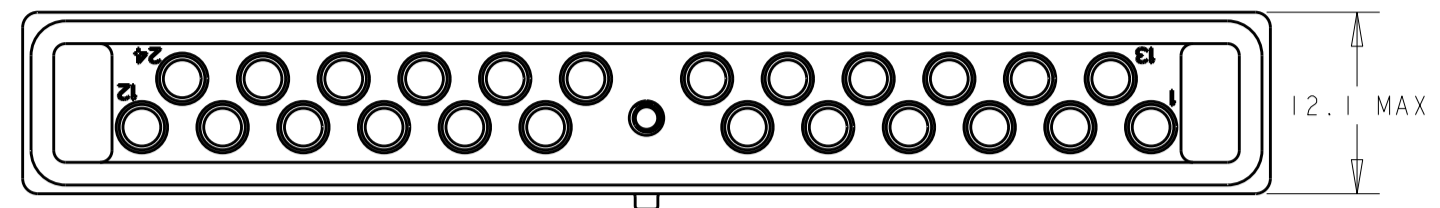


THIS DRAWING IS UNPUBLISHED. RELEASED FOR PUBLICATION 20
 © COPYRIGHT 20 BY TYCO ELECTRONICS CORPORATION. ALL RIGHTS RESERVED.

| LOC | | DIST | | REVISIONS | | | |
|-----|-----|----------------------------|------------|-----------|------|--|--|
| P | LTR | DESCRIPTION | DATE | DWN | APVD | | |
| | A | RELEASED PER ECO-09-013817 | 08.JUL2009 | RCF | JM | | |



RECOMMENDED PCB-HOLE LAY-OUT FOR BACKPLANE 3 6

1 FRONT & REAR HOUSING: GLASS-FILLED LCP THERMOPLASTIC, UL 94 V-0 RATED, COLOR: NATURAL (BEIGE).
 TERMINI RETENTION CLIP: STAINLESS STEEL PER AISI 301
 CONNECTOR RETENTION CLIP: STAINLESS STEEL PER AISI 301
 SOCKET HEAD CAP SCREW: STAINLESS STEEL

2 SOCKET HEAD CAP SCREW: PASSIVATED

3 MISALIGNMENT ALLOWED BETWEEN THE BACKPLANE CUTOUT & THE MATING MODULE CONNECTOR, TYCO PART NUMBER 1738960-2: 1mm MAX

4 CONNECTOR RETENTION CLIP IS SHIPPED UNASSEMBLED

5 MINIMUM CLEARANCE AREA ON BOTH SIDES OF THE BACKPLANE BOARD REQUIRED FOR CONNECTOR FLOAT

6 ACCOMMODATES PC BOARD THICKNESS RANGE: 2.03-4.19 mm

7 DATE CODE: YEAR & WEEK (YY WW)

8. RECOMMENDED TERMINI APPLICATION TOOLING:
 INSTALLING TOOL: DANIELS MFG. CORP. P/N DAK83-16
 REMOVAL TOOL: DANIELS MFG. CORP. P/N DRK83-16

9. LuxCis® IS A REGISTERED TRADEMARK OF RADIAL SA.

1738965-1
PART NUMBER

| | | | | | | | | | | | |
|---|--|------------------|-----|-----------|---|-------|---|----|---|-----|---|
| THIS DRAWING IS A CONTROLLED DOCUMENT FOR TYCO ELECTRONICS CORPORATION. IT IS SUBJECT TO CHANGE AND THE CONTROLLING ENGINEERING ORGANIZATION SHOULD BE CONTACTED FOR THE LATEST REVISION. | | DWN | BH | 09MAY2004 | Tyco Electronics Harrisburg, PA 17105-3608 | | | | | | |
| DIMENSIONS: mm | | CHK | JPM | 09MAY2004 | | | | | | | |
| TOLERANCES UNLESS OTHERWISE SPECIFIED: | | APVD | JPM | 09MAY2004 | | | | | | | |
| 0 PLC ±0.1 | | PRODUCT SPEC | | 108-2247 | NAME CONNECTOR KIT, BACKPLANE, 24 POSITION, FOR LuxCis OPTICAL TERMINI | | | | | | |
| 1 PLC ±0.1 | | APPLICATION SPEC | | 114-13192 | | | | | | | |
| 2 PLC ±0.1 | | WEIGHT | | - | SIZE | A2 | | | | | |
| 3 PLC ± | | CUSTOMER DRAWING | | SCALE | 2:1 | SHEET | 1 | OF | 1 | REV | A |
| 4 PLC ± | | | | | | | | | | | |
| ANGLES ± | | | | | | | | | | | |
| FINISH | | | | | | | | | | | |