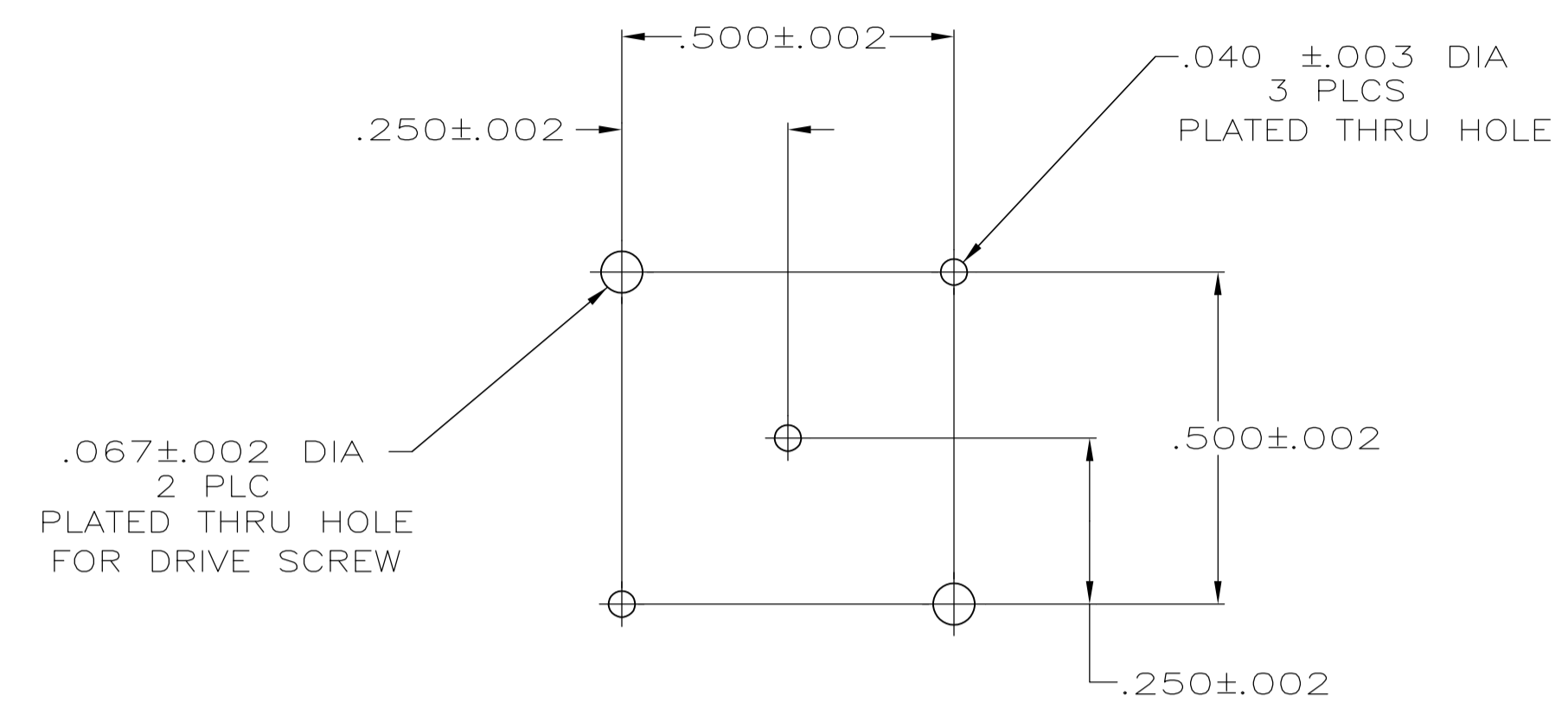
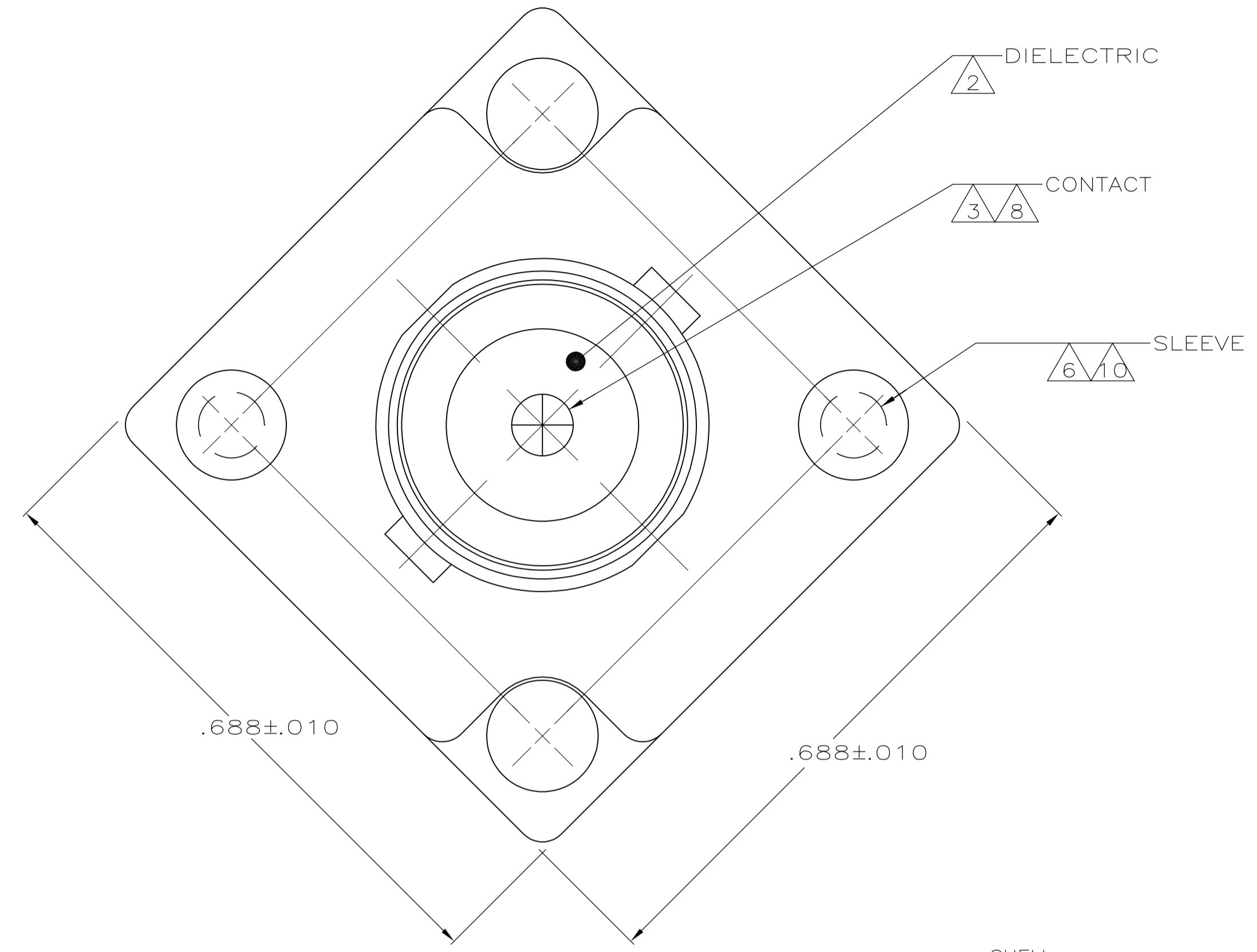
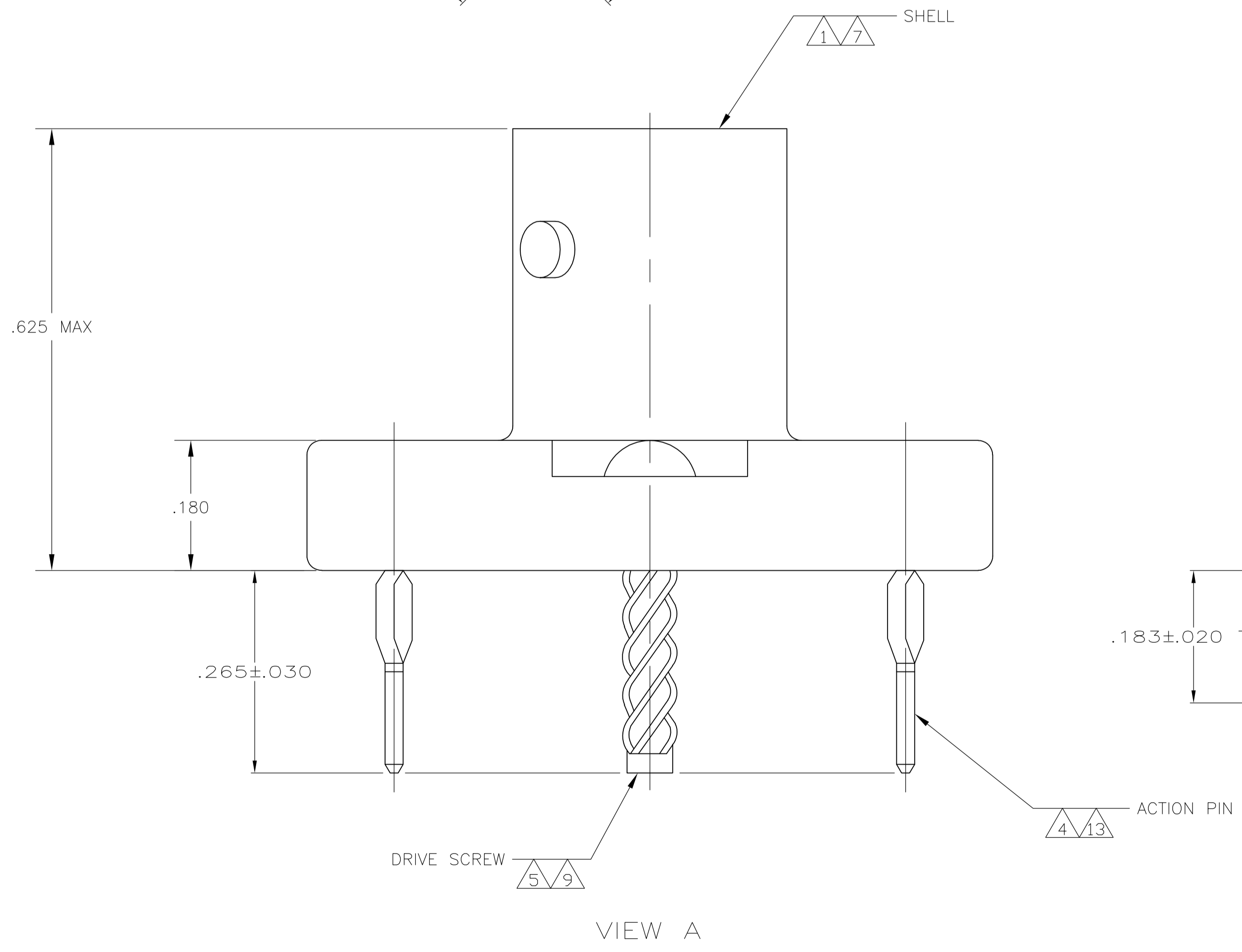


LOC		DIST		REVISIONS			
P	LTR	DESCRIPTION	DATE	DWN	APVD		
A		REV PER ECO 08-003548	15FEB2008	DW	FB		

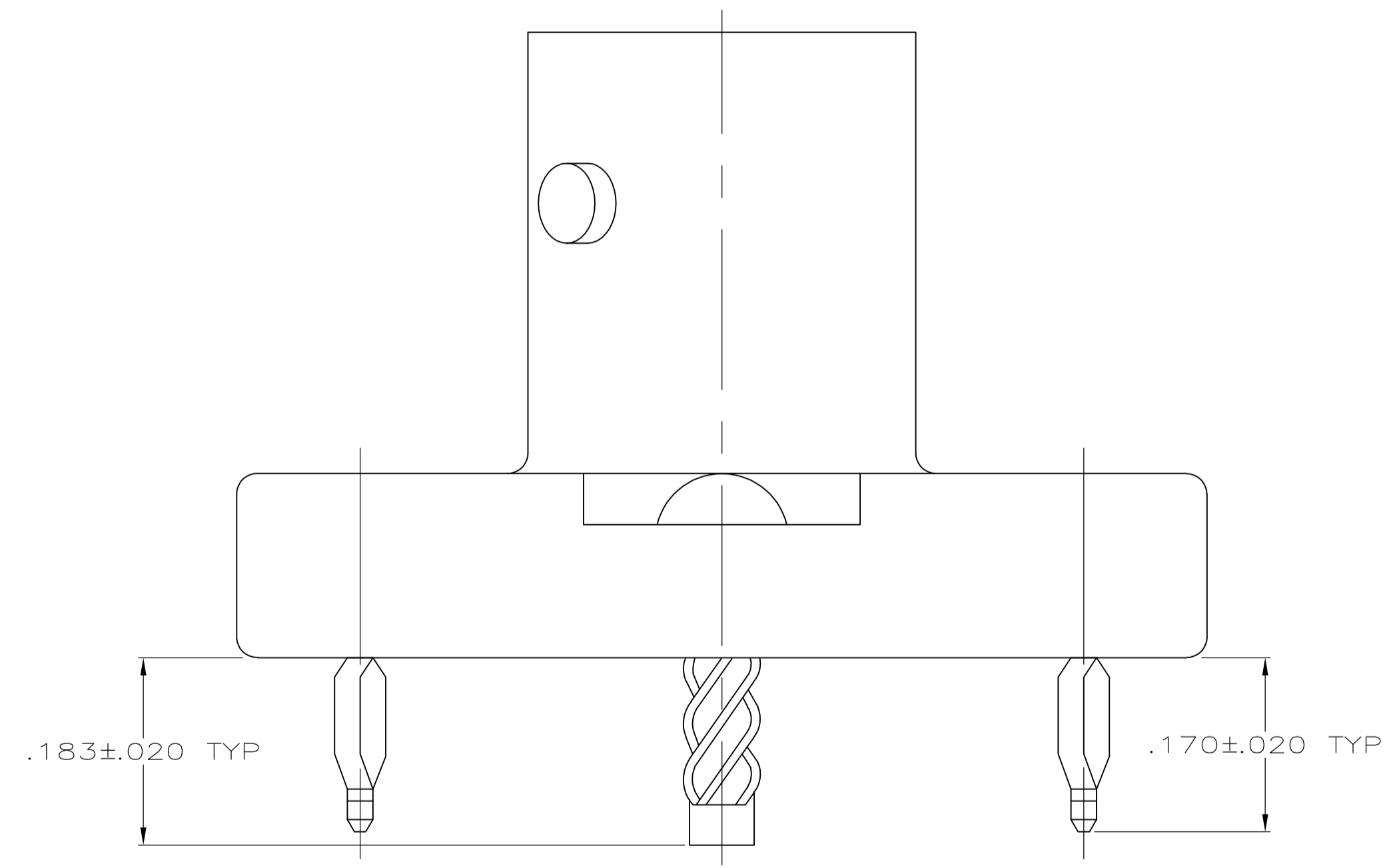


PCB CONFIGURATION  
SCALE 4:1

- 1 ZINC PER QQ-Z-363
- 2 PTFE PER MIL-P-19468
- 3 BERYLLIUM COPPER PER QQ-C-530
- 4 COPPER NICKEL ALLOY PER ASTM-B-122
- 5 STAINLESS STEEL PER ASTM-A-582
- 6 BRASS PER QQ-B-626
- 7 NICKEL PLATE PER QQ-N-290, .000200 MINIMUM THICKNESS
- 8 GOLD PLATE PER MIL-G-45204, .000030 - .0000055 MINIMUM THICKNESS
- 9 PASSIVATE PER QQ-P-35
- 10 TIN PLATE PER ASTM-B-545, .000100 - .000200 MINIMUM THICKNESS
- 11 PREPARE BOARD AND TERMINATE PER APPLICATION SPEC 114-12001
- 12. SEE INSTRUCTION SHEET 408-9194.
- 13 GOLD PLATE PER MIL-G-45204.



VIEW A



VIEW B  
SAME AS VIEW A  
EXCEPT AS SHOWN

A	5221336-4
B	5221336-3
VIEW	PART NUMBER

THIS DRAWING IS A CONTROLLED DOCUMENT.		BIN J. ALCORTA - 21APR2005 DOCK 5		Tyco Electronics Tyco Electronics Corporation Harrisburg, Pa 17105-3608	
DIMENSIONS: INCHES		TOLERANCES UNLESS OTHERWISE SPECIFIED:		APVD J. HAVENER 21APR2005	
0 PLC ± -		1 PLC ± -		NAME J. LIPPERT	
2 PLC ± -		3 PLC ± .008		PRODUCT SPEC 108-12103	
4 PLC ± -		ANGLES ± -		APPLICATION SPEC 11	
MATERIAL THRU 6		FINISH THRU 7, 10, 13		SIZE CAGE CODE DRAWING NO	
				A1 00779 C=5221336	
				RESTRICTED TO	
				WEIGHT	
				CUSTOMER DRAWING	
				SCALE 8:1 SHEET 1 OF 1 REV A	