

MODEL NUMBER
PWD-5530-02-SMA-79

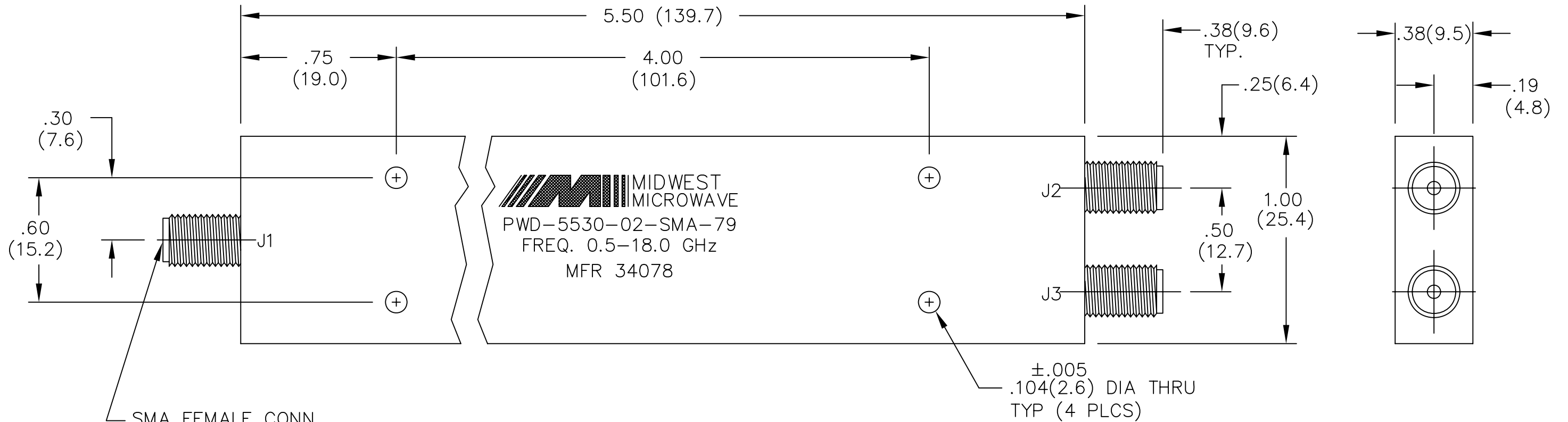
REV.
B1

NOTES:

- 1.0 ELECTRICAL SPECIFICATIONS:
- 1.1 FREQUENCY RANGE: 0.5 to 18.0 GHz.
 - 1.2 INSERTION LOSS: $(0.3 + 0.1f)$ dB
WHERE f = FREQUENCY IN GHz
 - 1.3 ISOLATION: 18dB MIN.
 - 1.4 VSWR (MAX): 1.50:1
 - 1.5 OUTPUT UNBALANCE:
 - 1.5.1 AMPLITUDE: 0.3dB MAX.
 - 1.5.2 PHASE: 5° MAX.
 - 1.6 MAXIMUM INPUT POWER: 10 WATTS
(WITH OUTPUT LOADS OF VSWR < 2.0:1)

- 2.0 FINISH:
- 2.1 GREY PER MIL-E-15090 TYPE II, CLASS 2
OVER MIL-C-5541 CLASS 3A
MEETS MIL-F-14072
MEETS MIL-E-5400
 - 2.2 MARK UNIT AS SHOWN.

- 3.0 DIMENSIONS IN PARENTHESIS ARE
IN MILLIMETERS.
- 4.0 WEIGHT: 100 GRAMS MAX.



REV.	DESCRIPTION	DATE
-	RELEASED	2/10/93
A	ECN 14086	11/2/94
B	ECN 14432	4/17/95
B1	ADDED TITLEBLOCK	7/20/05

UNLESS OTHERWISE NOTED DIMENSIONS ARE IN INCHES AND TOLERANCES ARE: 3 PLACE DECIMALS ±.005 2 PLACE DECIMALS ±.02 FRACTIONS ±1/64 PARALLELITY: T.I.R. _____ FLATNESS: T.I.R. _____ CONCENTRICITY: T.I.R. _____ ANGLES AND PERPENDICULARITY: ±1°	FSCM NO. 34078	MIDWEST MICROWAVE
	NOTICE: The information contained in this drawing is proprietary and must not be used without the permission of Midwest Microwave	
	TITLE POWER DIVIDER	
	DRAWING NUMBER PWD-5530-02-SMA-79	
DRAWN/DATE A.BEATTY 4/4/93	ENG./DATE P.GOODMAN 2/9/93	SCALE: 2=1
CHECKED/DATE A.OSGA 4/8/93	APPROVED/DATE	SHEET 1 of 1