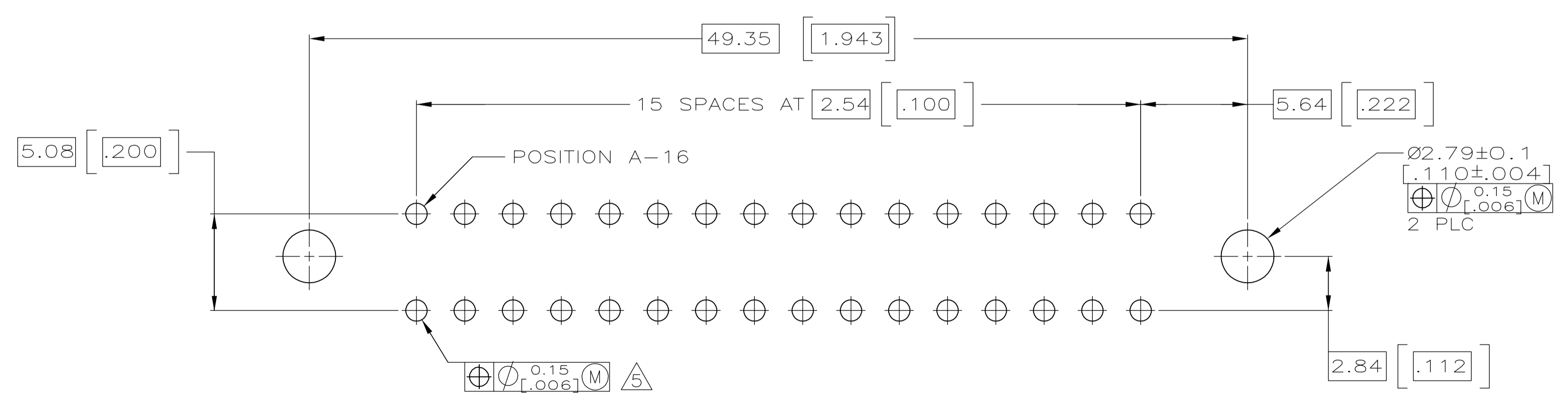
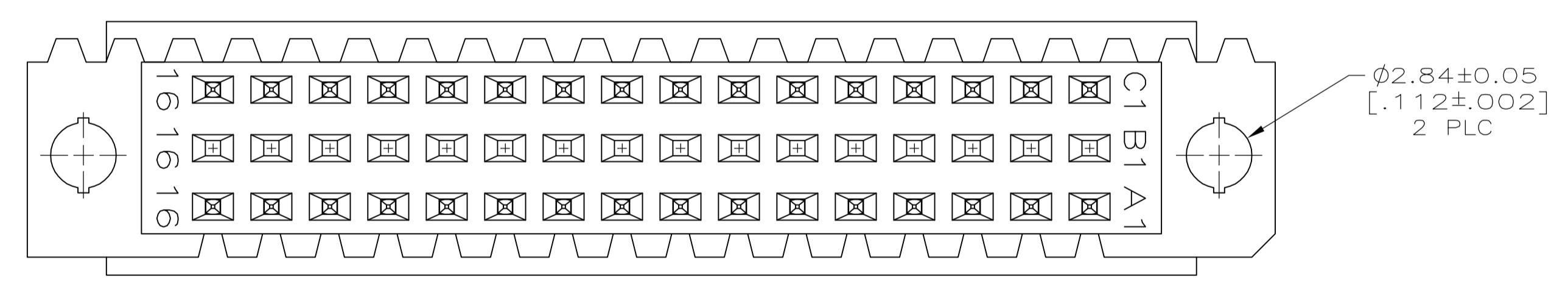
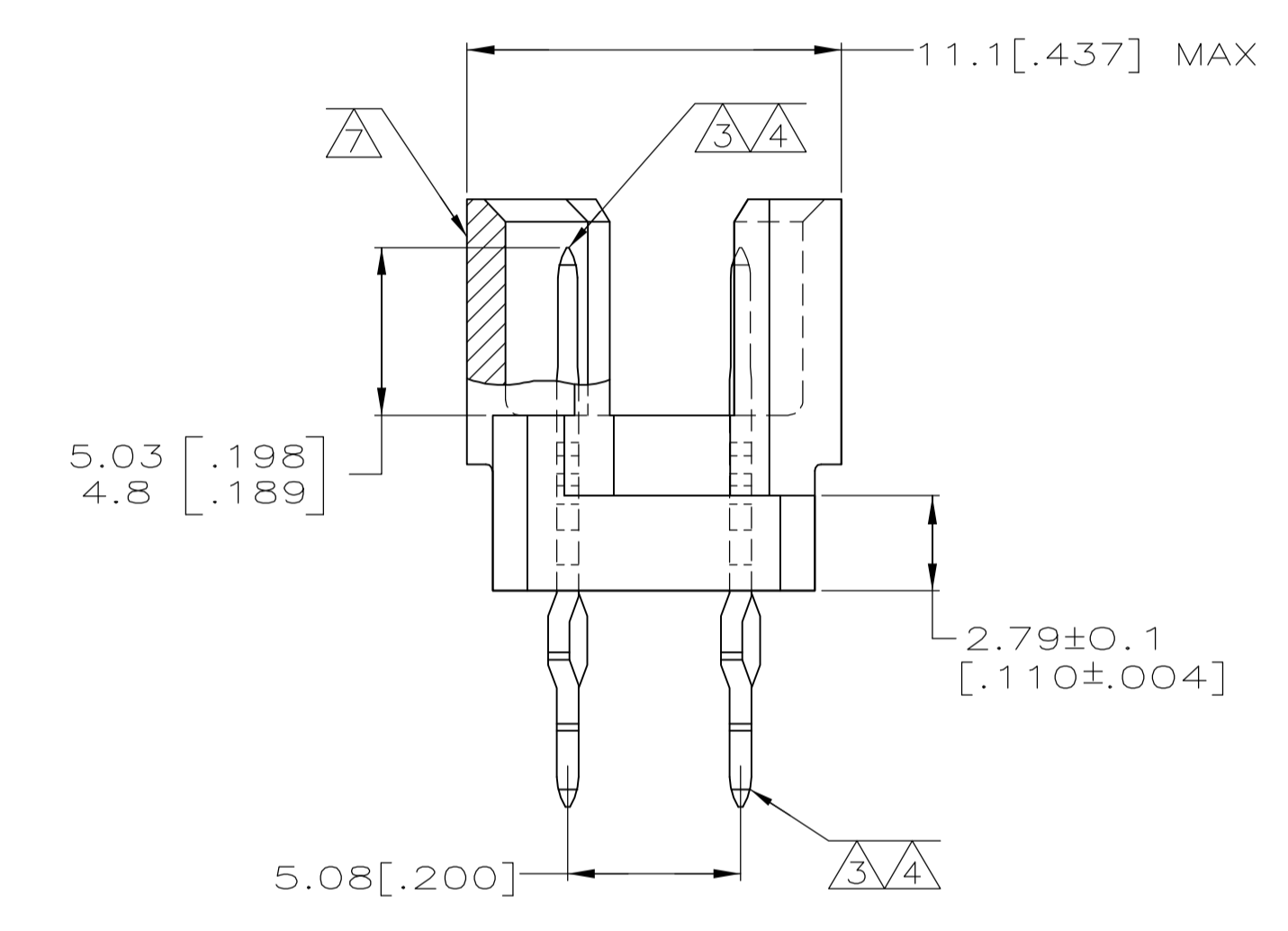
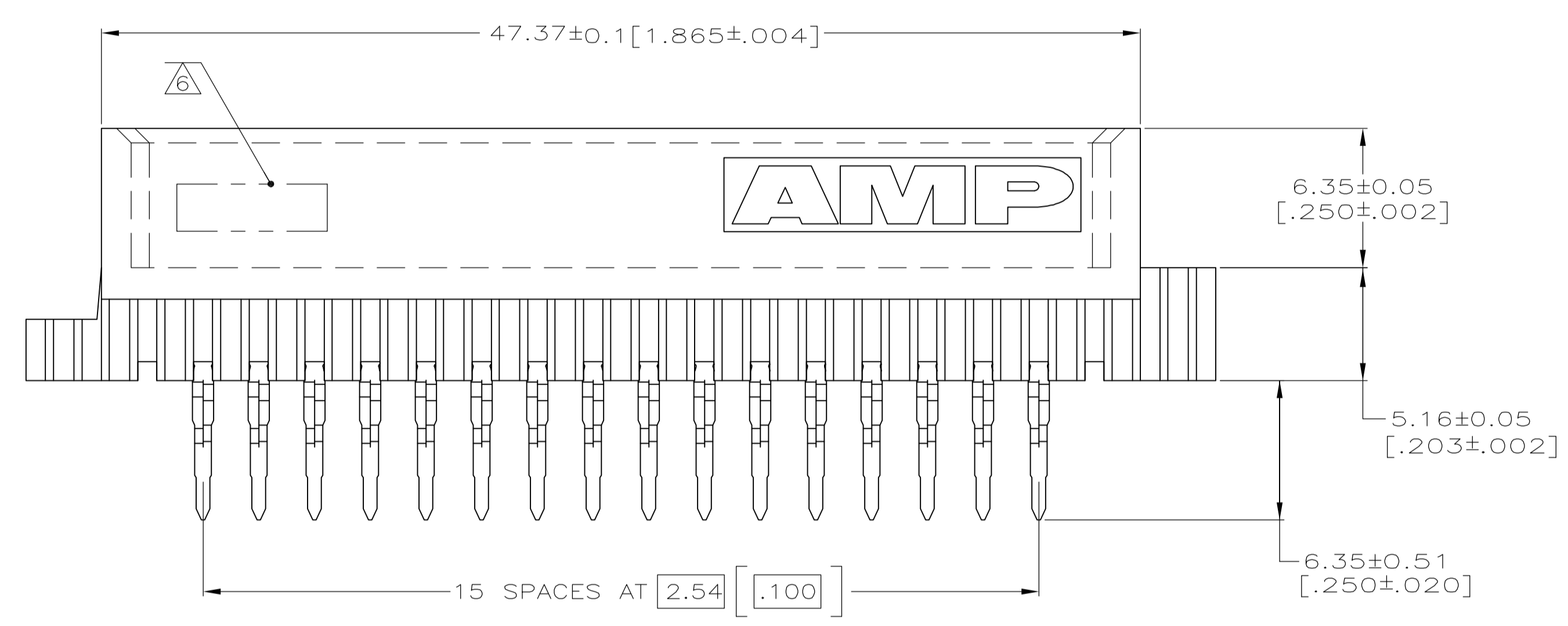
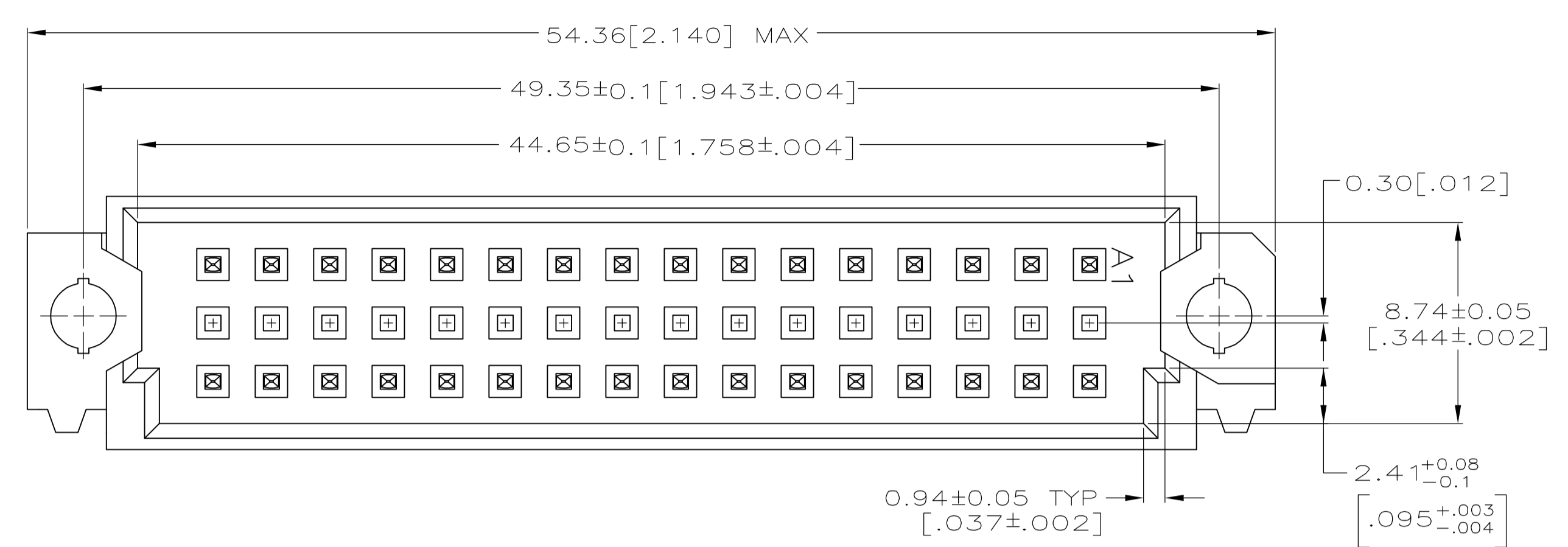


- 1 HOUSING MATERIAL: GLASS-FILLED POLYESTER. COLOR: GRAY.
- 2 POST MATERIAL: PHOSPHOR BRONZE.
- 3 POST FINISH: DIN 41612 CLASS 3 IN CONTACT AREA. TIN-LEAD PLATE ON POSTS.
- 4 POST FINISH: DIN 41612 CLASS 2 IN CONTACT AREA. TIN-LEAD PLATE ON POSTS.
- 5 ACTION PIN POSTS REQUIRE 2.36 [.093] MIN THICK PC BOARD. RECOMMENDED PC BOARD HOLES ARE $\phi 1.151$ [.0453] PLATED THROUGH WITH 0.02-0.08 [.001-.003] COPPER AND 0.008 [.0003] MIN TIN-LEAD PLATING. FINISHED HOLE AFTER PLATING, $\phi 0.94-1.09$ [.037-.043].
- 6 PART NUMBER, DATE CODE MARKED THIS APPROXIMATE AREA.
- 7 MARKING ON THIS SIDE.



PC BOARD LAYOUT

OBSOLETE	3	1-16	X	-	X	32	650931-9
OBSOLETE	4	1-16	X	-	X	32	650931-5
	4	1-16	X	-	X	32	650931-4
NOTES		POSITIONS LOADED	C	B	A	NO. OF LOADED POSITION	ASSY PART NUMBER

THIS DRAWING IS A CONTROLLED DOCUMENT.		DIN L BRINER 3/18/91	Tyco Electronics Corporation Harrisburg, PA 17105-3608	
DIMENSIONS: mm [INCHES]		CHK D.C. RUBENDALL 3/26/91	NAME D.C. RUBENDALL 3/26/91	
TOLERANCES UNLESS OTHERWISE SPECIFIED:		PRODUCT SPEC ASSEMBLY, PIN, VERTICAL, EUROCARD, TYPE 1/2R, SELECT LOAD, ROWS A AND C, 32/48 POSITION, 6.35 [.250] PRESS-IT POSTS		
0 PLC ± -	1 PLC ± -	APPLICATION SPEC	SIZE A1	DRAWING NO. 00779
2 PLC ± -	3 PLC ± 0.13 [.005]	WEIGHT	SCALE 5:1	SHEET 1 of 1
4 PLC ± -	ANGLES ± -	CUSTOMER DRAWING	REV L	