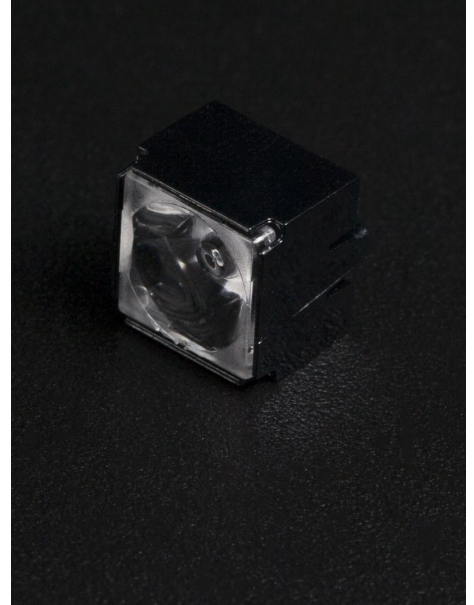


DETAILS

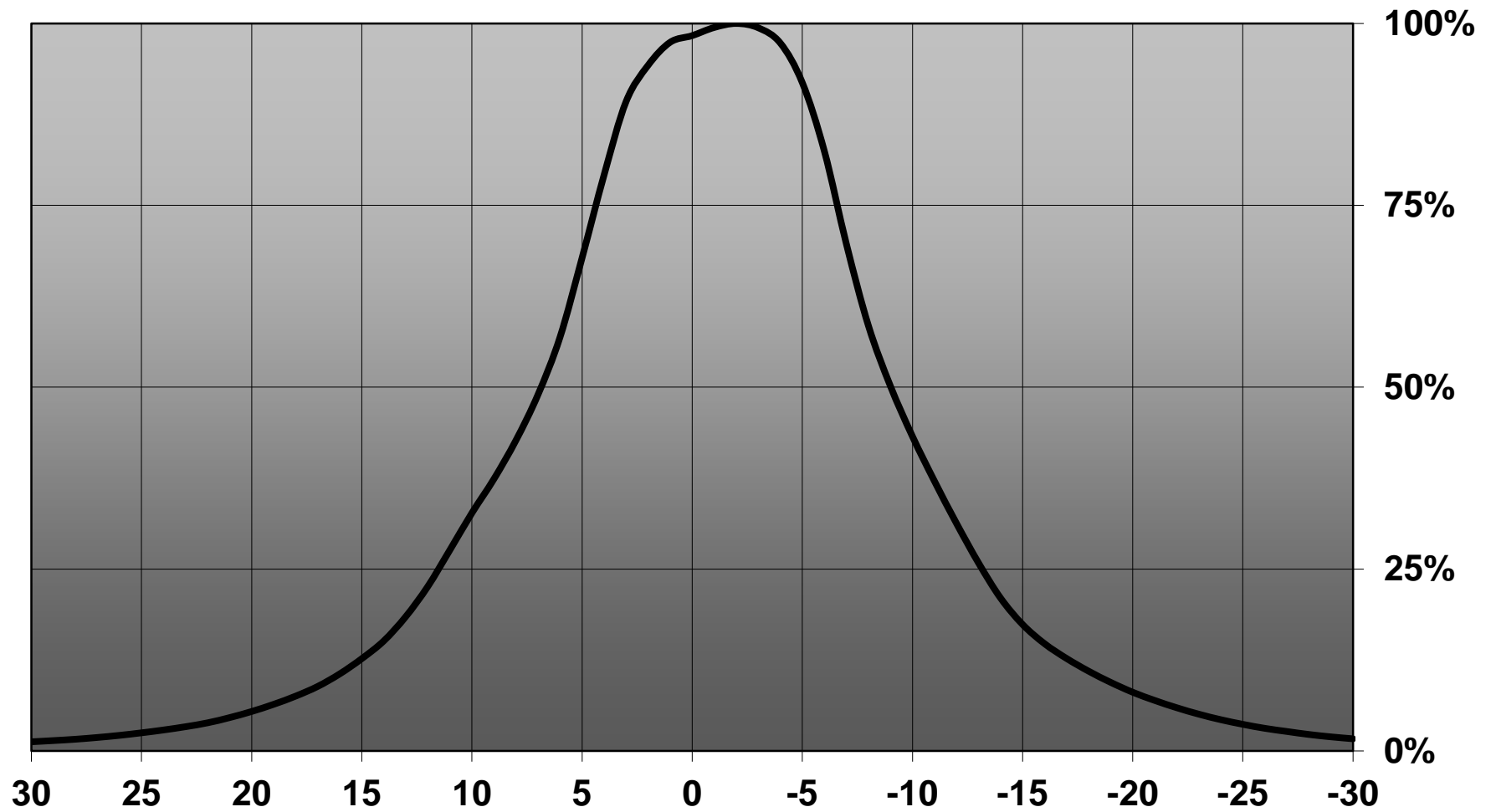
Product Number	CP15304_LARISA-RS-PIN
Family	Larisa
Type	Assembly
Color	black
Diameter	9,9 +9,9 mm
Height	7,5 mm
Style	square
Optic Material	PMMA
Holder Material	
Fastening	pin, glue
Status	production ready
ROHS Compliant	Yes
Date Updated	21/06/2016

OPTICAL PROPERTIES

LED	Viewing Angle	Light Beam	Efficiency	cd/lm	Connector
XQ-E	16 deg	Real spot	86 %	6.900	-
LUXEON C	17 deg	Real spot	86 %	6.100	-
Oslon SSL 80	16 deg	Real spot	83 %	6.450	-



Relative intensity of CP12939_LARISA-RS-CLIP16_(SSL80)



D

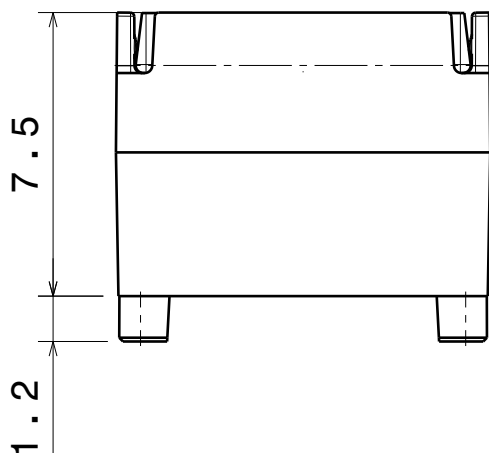
C

B

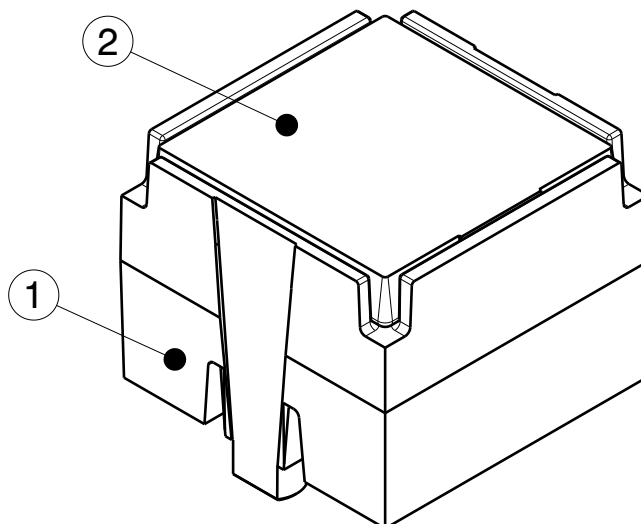
A

4

4

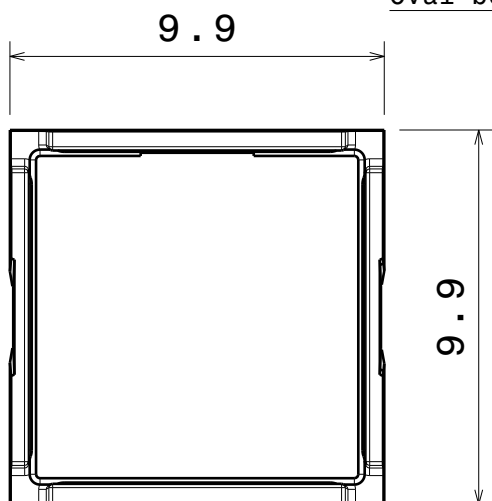


Front view

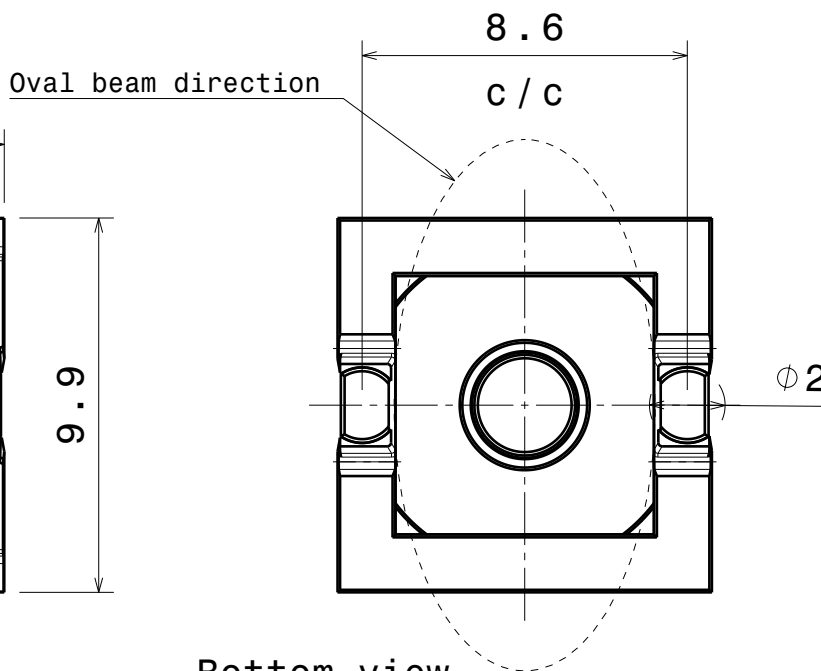
Isometric view
Scale: 5:1

3

3



Top view



Bottom view

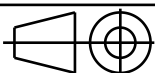
INDEX	PART NO	DESCRIPTION	MATERIAL	COLOUR
1	C15062	LARISA-HOLDER-PIN	PC	black
2	-	LARISA-lens	PMMA	

Tolerances if not otherwise shown
According to DIN ISO 2768-1
Linear measures:
Up to 30mm class M, otherwise class C.
According to DIN ISO 2768-2
Form and position: class L

LEDiL

Ledil Oy
Salorankatu 10
FIN 24240 SALO
Finland

THIRD ANGLE PROJECTION:



DRAWING TITLE

LARISA-PIN series

This drawing is the property
of LEDiL Oy. It may not be
reproduced, copied or
communicated without a written
agreement with LEDiL Oy.

SIZE PART NUMBER

A4

-

SCALE 5:1 WEIGHT

-

SHEET 1/1

2

2

1

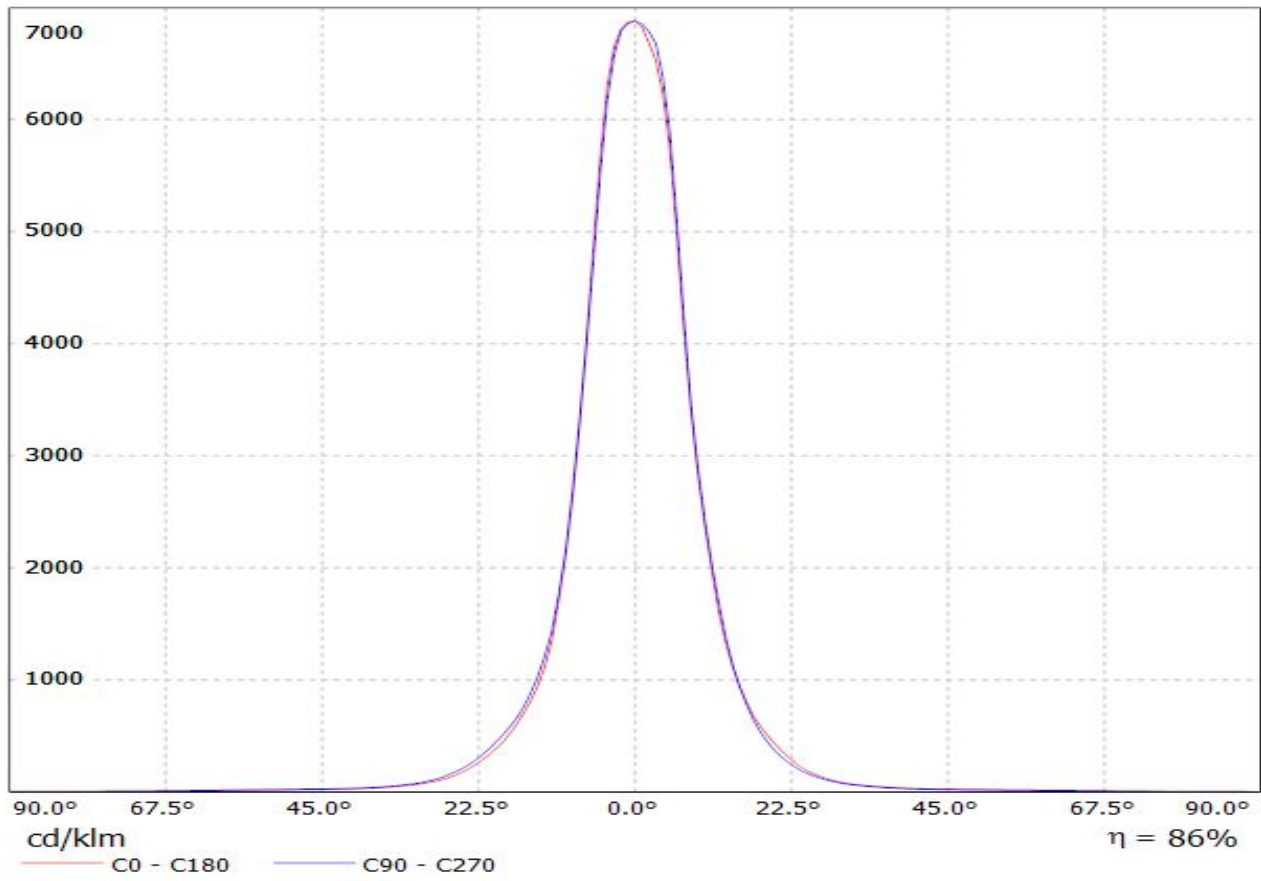
1

D

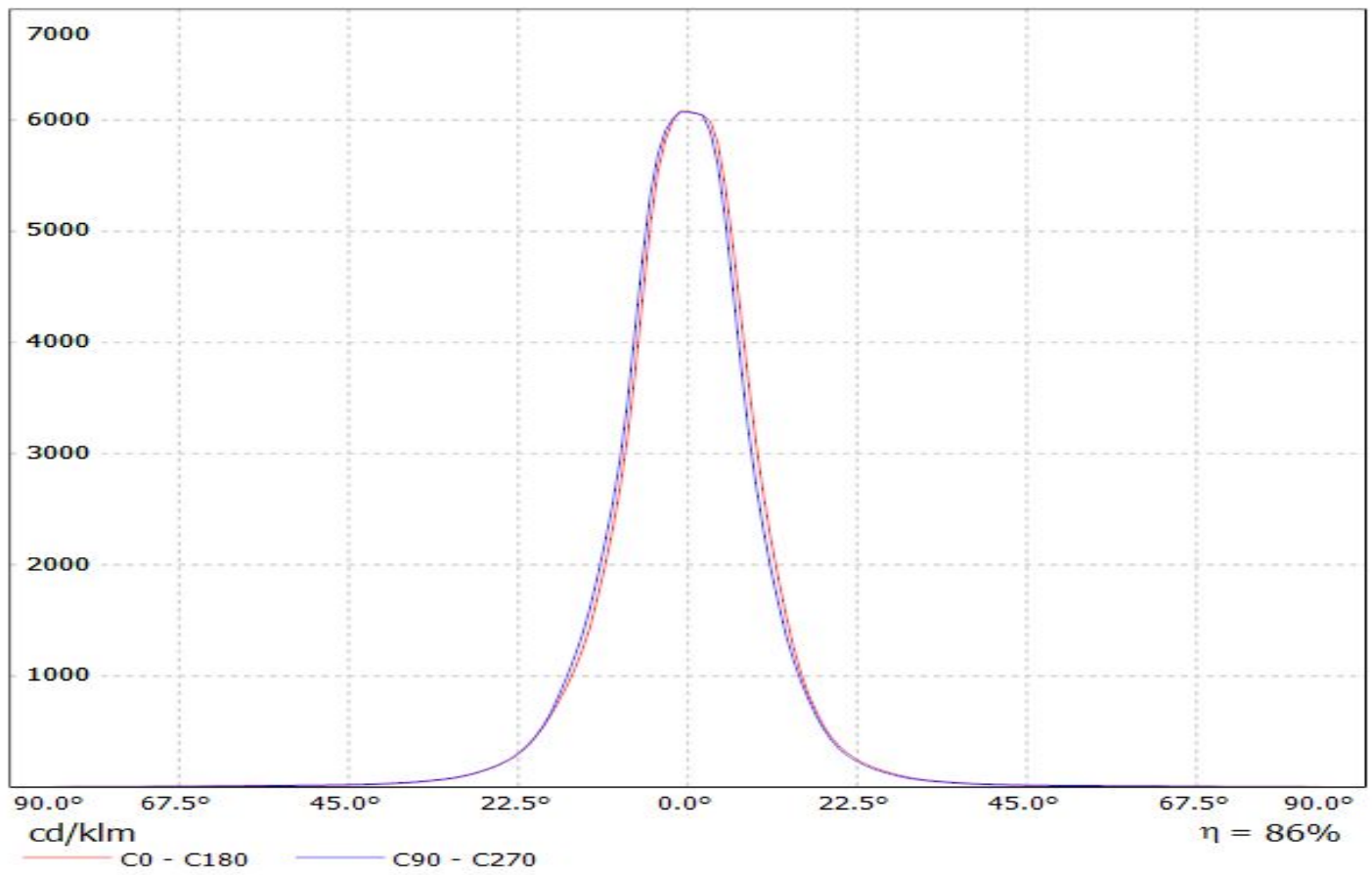
A

Luminaire: LEDiL Oy CP12939_LARISA-RS-CLIP16_(XQ-E)

Lamps: 1 x Cree_XQ-E_(XQEAWT-0-7B1-Q40-0H-00001_81.2847lm@250mA_P=0.764419W_I=250mA)

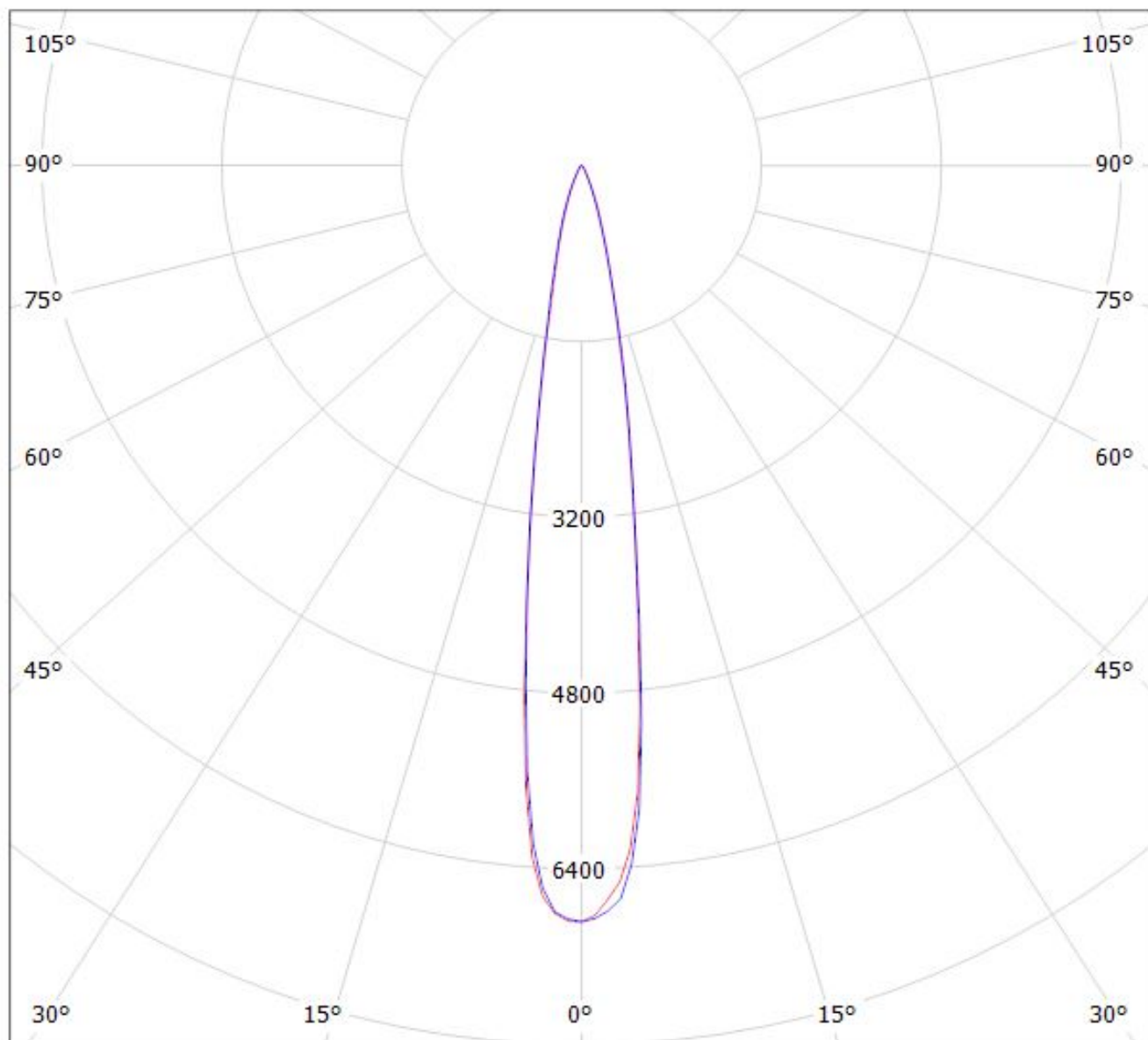


Luminaire: LEDiL Oy CP12939_LARISA-RS-CLIP16_(Luxeon_C_WHITE)
Lamps: 1 x Luxeon_C_WHITE_84.9929lm@250mA_P=0.7402W_I=0.250A



Luminaire: LEDiL Oy CP12939_LARISA-RS-CLIP16_(XQ-E)

Lamps: 1 x Cree_XQ-E_(XQEAWT-0-7B1-Q40-0H-00001_81.2847lm@250mA_P=0.764419W_I=250mA



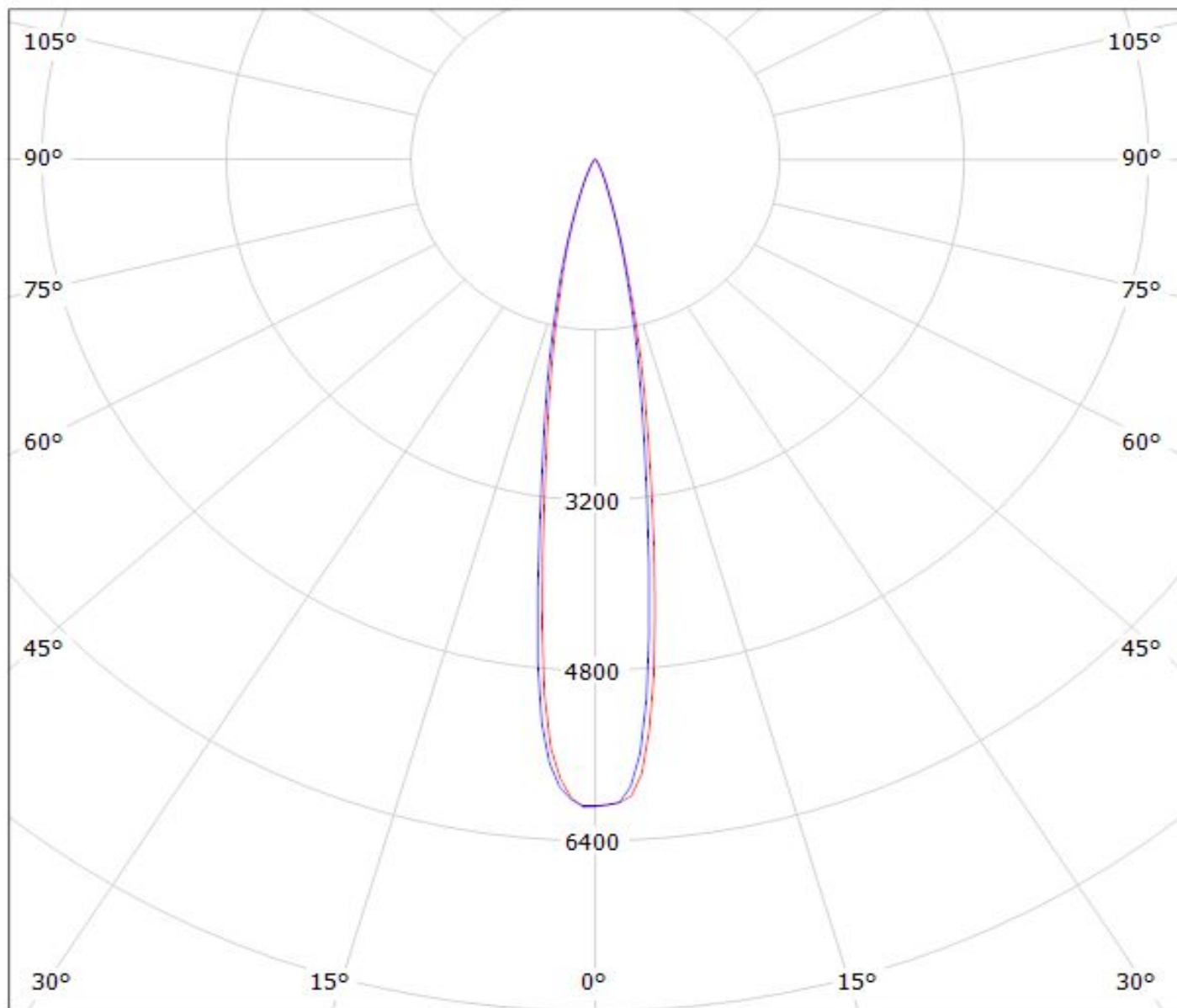
cd/klm

$\eta = 86\%$

— C0 - C180

— C90 - C270

Luminaire: LEDiL Oy CP12939_LARISA-RS-CLIP16_(Luxeon_C_WHITE)
Lamps: 1 x Luxeon_C_WHITE_84.9929lm@250mA_P=0.7402W_I=0.250A



cd/klm

— C0 - C180 — C90 - C270

$\eta = 86\%$

NOTE: The typical divergence will be changed by different color, chip size and chip position tolerance. The typical total divergence is the full angle measured where the luminous intensity is half of the peak value.