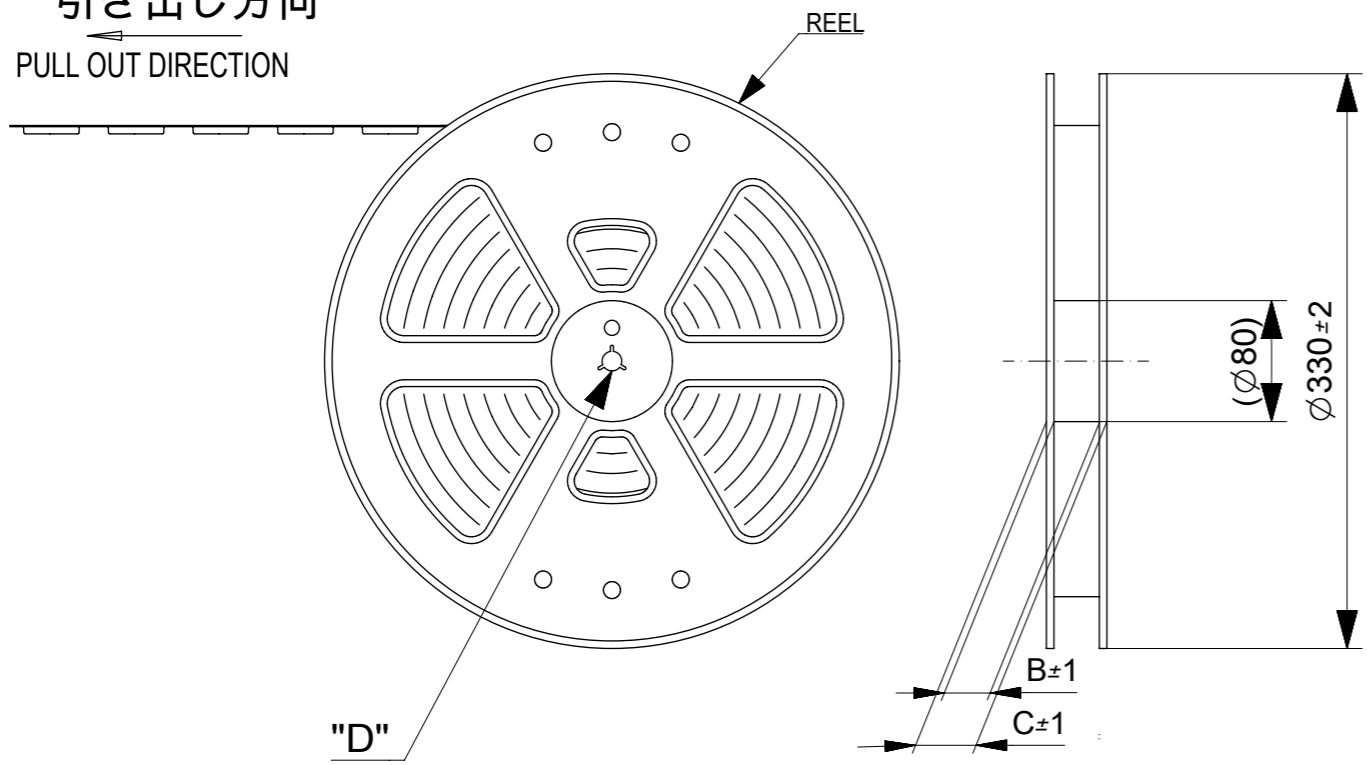
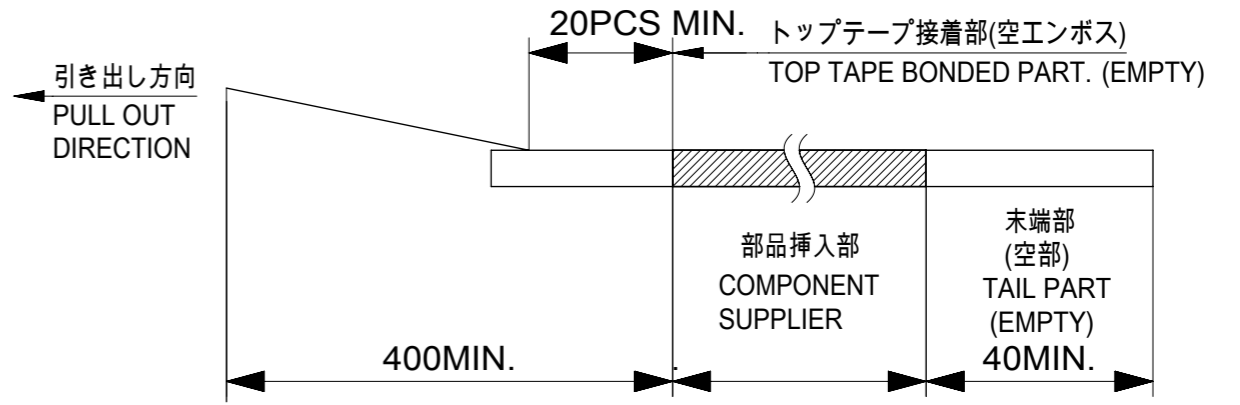


引き出し方向  
PULL OUT DIRECTION

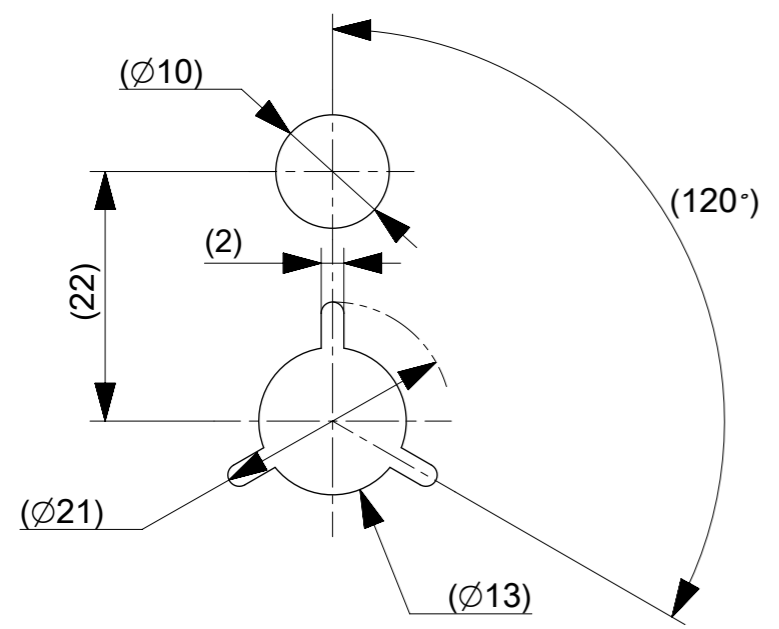


注記 NOTES

- 製品詳細寸法については製品単体図面を参照下さい。  
RE DETAILED DIMENSION, SEE PRODUCT DRAWING.
- 梱包数量：3000個 / リール  
NUMBER OF CONNECTORS : 3000 PCS/REEL.
- リードテープ長さ LEAD TAPE LENGTH.



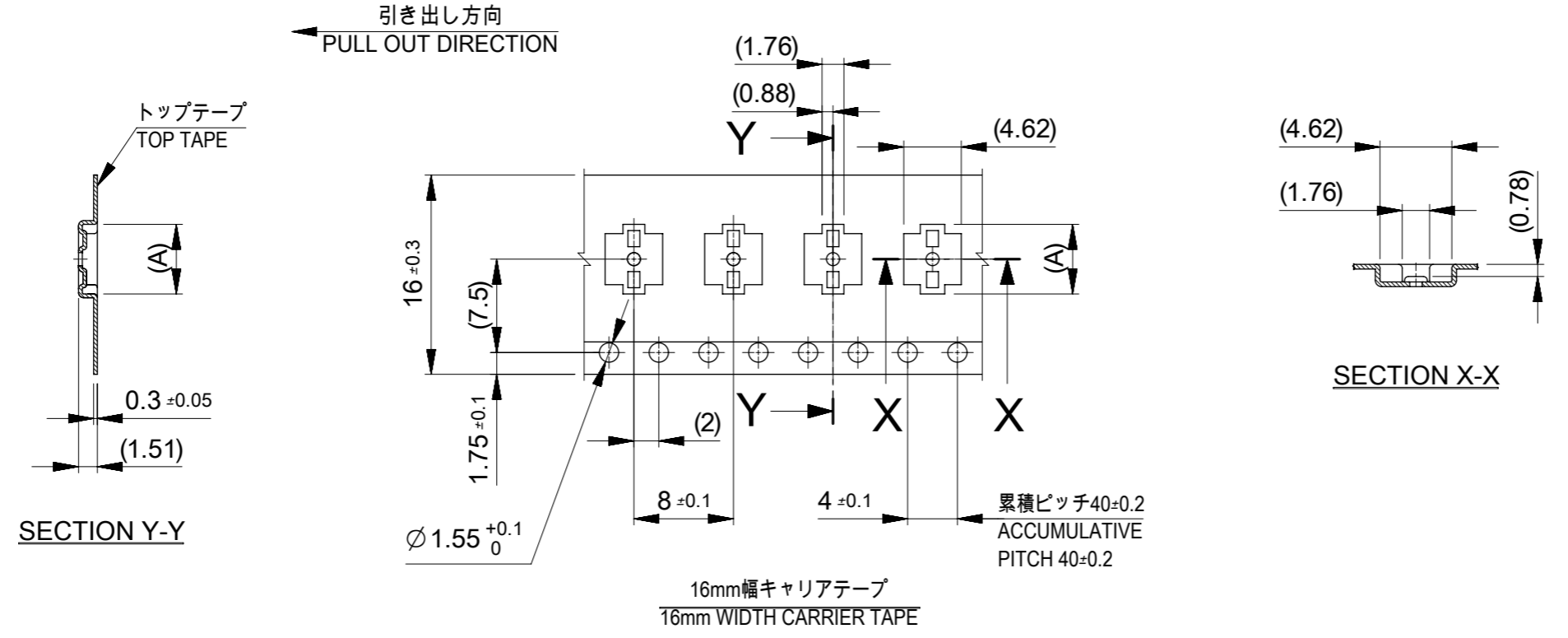
- カバーテープの剥離強度については、IEC60286-3に準拠。  
COVER TAPE PEEL FORCE IS DEFINED BY IEC60286-3.
- 材料 MATERIAL  
キャリアテープ(CARRIER TAPE) : ポリスチレン(POLYSTYRENE)  
トップテープ(TOP TAPE) : PET, OTHER  
リール(REEL) : ポリスチレン(PS) <リサイクル材を含む>  
POLYSTYRENE(PS) < RECYCLE MATERIAL CONTAINED >
- ELV 及び RoHS適合品  
ELV AND RoHS COMPLIANT



DETAIL "D"

THIS DRAWING CONTAINS INFORMATION THAT IS PROPRIETARY TO MOLEX ELECTRONIC TECHNOLOGIES, LLC AND SHOULD NOT BE USED WITHOUT WRITTEN PERMISSION

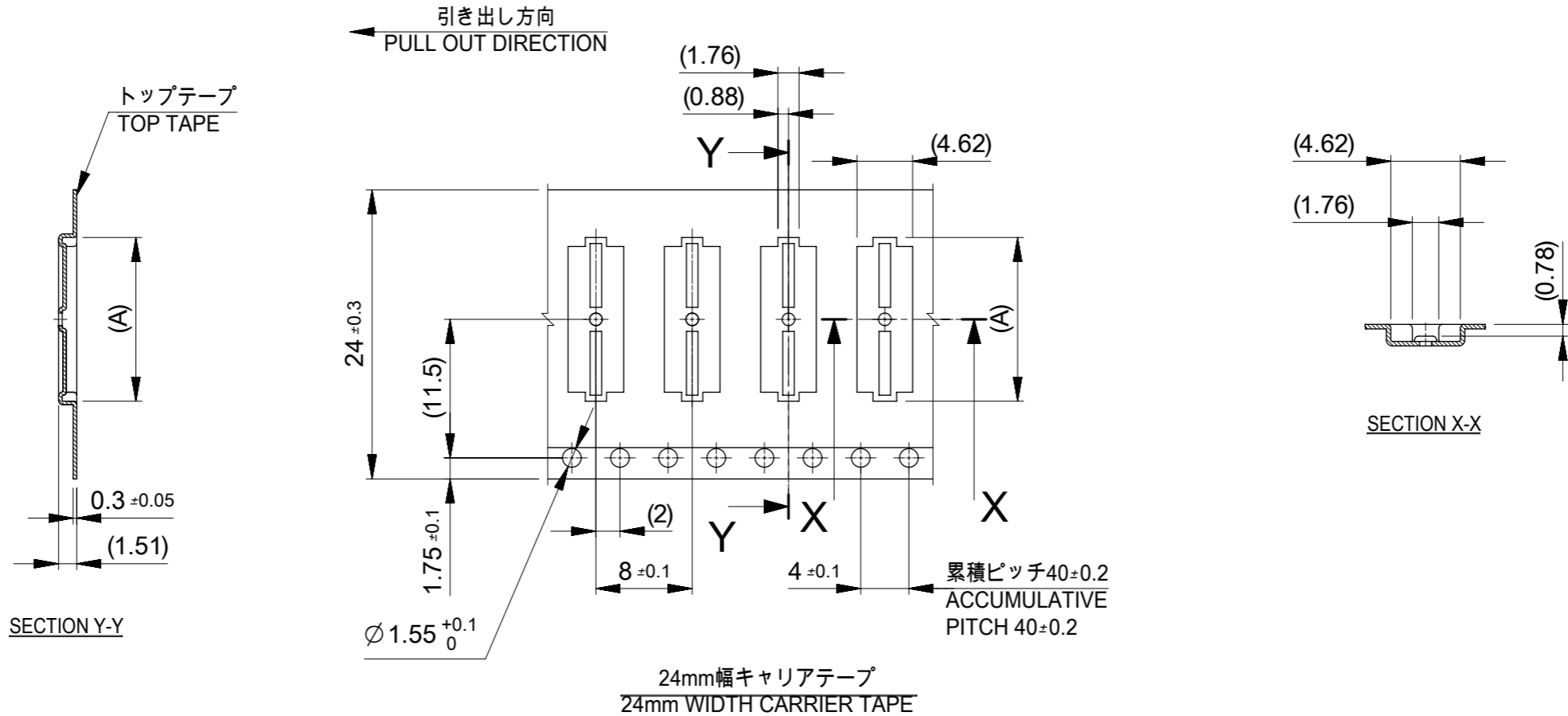
EC NO: 108729 DRWN: JFURUKAWA CHK'D: TASAKAWA APPR: KMORIKAWA	2016/09/21	GENERAL TOLERANCES (UNLESS SPECIFIED)		DIMENSION UNITS	SCALE					
	2016/09/27	ANGULAR TOL ± 3.0 °		MM	NTS					
	2016/09/27	4 PLACES	± 0.03	DRWN BY	DATE	0.4 BB CONN. HGT=0.8 PLUG ASSY EMBSTP PKG				
		3 PLACES	± 0.03	JFURUKAWA	2016/09/21					
	2 PLACES	± 0.05	CHK'D BY	DATE	PRODUCT CUSTOMER DRAWING					
	1 PLACE	± 0.1	TASAKAWA	2016/09/27						
	0 PLACES	± 0.2	APPR BY	DATE	SERIES	MATERIAL NUMBER	CUSTOMER			
			KMORIKAWA	2016/09/27	503776	SEE CHART	GENERAL			
			DRAFT WHERE APPLICABLE MUST REMAIN WITHIN DIMENSIONS		DRAWING SIZE	THIRD ANGLE PROJECTION	DOCUMENT NUMBER	DOC TYPE	DOC PART	SHEET NUMBER
					A3		5037760000	PSD	000	1 OF 3



16	21.4	17.4	6.39	503776-2410	24
			5.59	503776-2010	20
			4.79	503776-1610	16
			3.59	503776-1010	10
キャリアテープ幅 CARRIER TAPE WIDTH		C	B	(A)	MATERIAL NO. CKT. MODEL NO. 503776-***0

THIS DRAWING CONTAINS INFORMATION THAT IS PROPRIETARY TO MOLEX ELECTRONIC TECHNOLOGIES, LLC AND SHOULD NOT BE USED WITHOUT WRITTEN PERMISSION

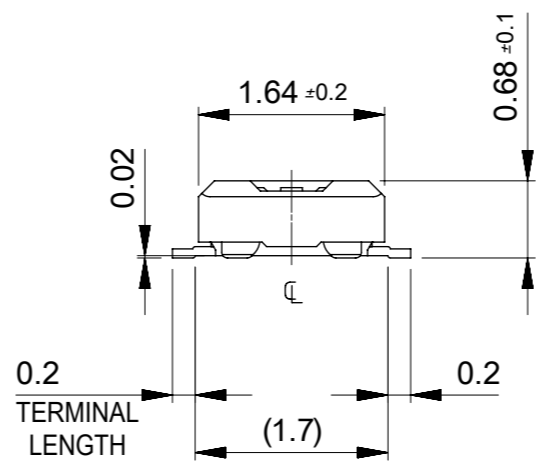
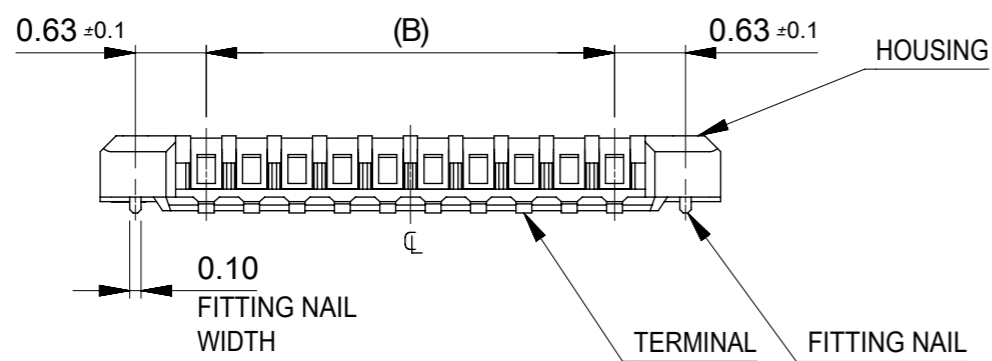
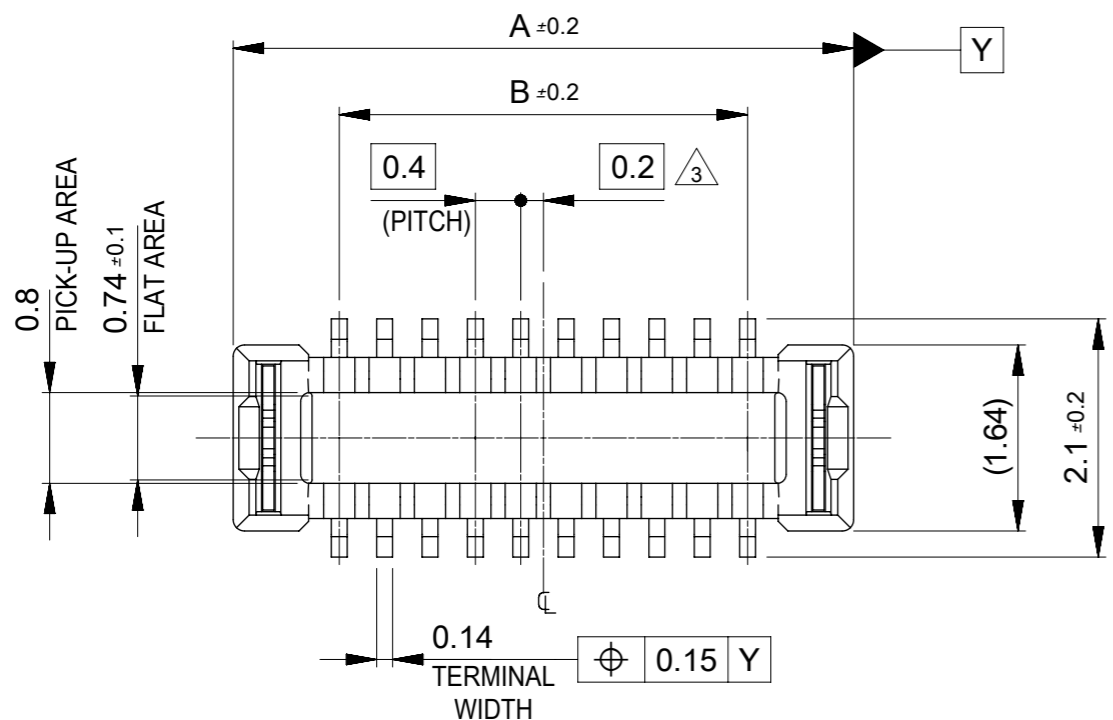
EC NO: 108729 DRWN: JFURUKAWA CHK'D: TASAKAWA APPR: KMORIKAWA	2016/09/21	GENERAL TOLERANCES (UNLESS SPECIFIED)		DIMENSION UNITS	SCALE		
	2016/09/27	ANGULAR TOL ± 3.0 °		MM	NTS		
	2016/09/27	4 PLACES ± 0.03	DRWN BY	DATE			0.4 BB CONN. HGT=0.8 PLUG ASSY EMBSTP PKG
		3 PLACES ± 0.03	JFURUKAWA	2016/09/21			
		2 PLACES ± 0.05	CHK'D BY	DATE			
	1 PLACE ± 0.1	TASAKAWA	2016/09/27				
	0 PLACES ± 0.2	APPR BY	DATE		PRODUCT CUSTOMER DRAWING		
DRAFT WHERE APPLICABLE MUST REMAIN WITHIN DIMENSIONS		KMORIKAWA	2016/09/27				
		DRWING SIZE	THIRD ANGLE PROJECTION				
A	REV	A3			SERIES: 503776 MATERIAL NUMBER: SEE CHART CUSTOMER: GENERAL		
RELEASE STATUS P1		RELEASE DATE	27.09.2016 05:11:50		DOCUMENT NUMBER: 5037760000 DOC TYPE: PSD DOC PART: 000 SHEET NUMBER: 2 OF 3		



24	29.4	25.4	13.59	503776-6010	60
			11.59	503776-5010	50
			9.59	503776-4010	40
			8.39	503776-3410	34
			7.59	503776-3010	30
キャリアテープ幅 CARRIER TAPE WIDTH	C	B	(A)	MATERIAL NO.	CKT.
				MODEL NO.	503776-***0

THIS DRAWING CONTAINS INFORMATION THAT IS PROPRIETARY TO MOLEX ELECTRONIC TECHNOLOGIES, LLC AND SHOULD NOT BE USED WITHOUT WRITTEN PERMISSION

EC NO: 108729 DRWN: JFURUKAWA CHK'D: TASAKAWA APPR: KMORIKAWA	2016/09/21	GENERAL TOLERANCES (UNLESS SPECIFIED) ANGULAR TOL ± 3.0 ° 4 PLACES ± 0.03 3 PLACES ± 0.03 2 PLACES ± 0.05 1 PLACE ± 0.1 0 PLACES ± 0.2 DRAFT WHERE APPLICABLE MUST REMAIN WITHIN DIMENSIONS	DIMENSION UNITS	SCALE		
	2016/09/27		MM	NTS		
	2016/09/27		DRWN BY	DATE		JFURUKAWA 2016/09/21
			CHK'D BY	DATE		TASAKAWA 2016/09/27
			APPR BY	DATE		KMORIKAWA 2016/09/27
		DRAWING SIZE	THIRD ANGLE PROJECTION	PRODUCT CUSTOMER DRAWING		
		A3		SERIES	MATERIAL NUMBER	
				503776	SEE CHART	
				CUSTOMER	GENERAL	
				DOCUMENT NUMBER	DOC TYPE	
				5037760000	PSD	
				DOC PART	SHEET NUMBER	
				000	3 OF 3	



注記 NOTES

1. 使用材料 MATERIAL

ハウジング:液晶ポリマー(LCP) UL94V-0(黒)  
 HOUSING : LIQUID CRYSTAL POLYMER UL94V-0 (COLOR : BLACK)  
 ターミナル : 銅合金  
 TERMINAL : COPPER ALLOY  
 金具 : 銅合金  
 FITTING NAIL : COPPER ALLOY

2. メッキ仕様 PLATING

ターミナル TERMINAL

金メッキ  
 GOLD  
 下地メッキ : ニッケルメッキ  
 UNDER PLATING : NICKEL  
 ※コンタクト部とテール部はニッケルメッキによって分断されている金メッキです。  
 DIVIDE INTO PARTS THE GOLD PLATING OF THE CONTACT AND THE TAIL PART BY THE NICKEL PLATING.

金具 FITTING NAIL

錫メッキ  
 Tin PLATING  
 下地メッキ : ニッケルメッキ  
 UNDER PLATING : NICKEL

△3. (全極数/2)=偶数の場合に適用。  
 APPLY FOR (CIRCUIT/2)=EVEN.

4. 嵌合相手 : 503772 シリーズ  
 MATE WITH : 503772 SERIES.

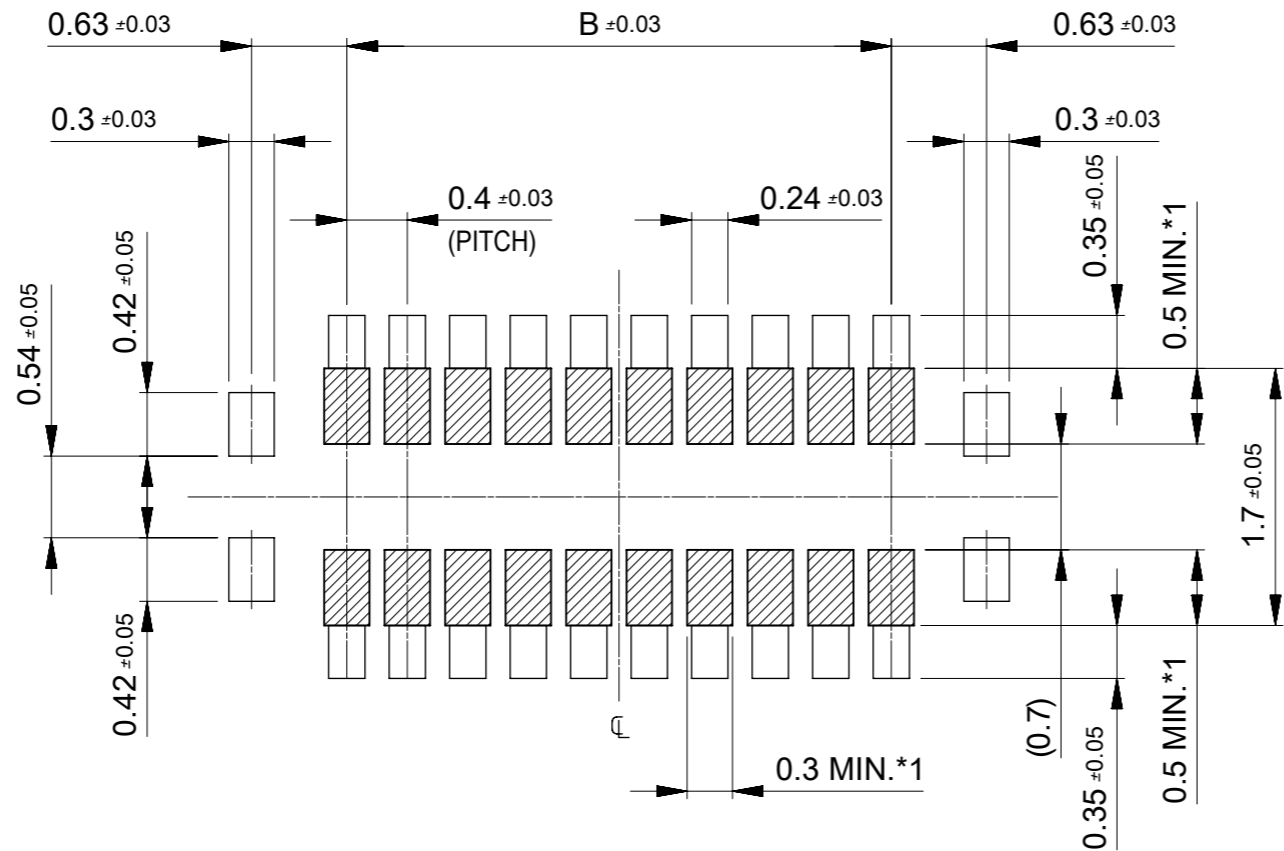
5. テール及び金具の平坦度は、0.08以下。60極は0.1以下。  
 TAIL AND FITTING NAIL COPLANARITY TO BE 0.08 MAXIMUM.  
 TAIL AND FITTING NAIL COPLANARITY WITH 60cct TO BE 0.1 MAXIMUM.

6. ELV and RoHS COMPLIANT

11.6	13.47	503776-6010	60
9.6	11.47	503776-5010	50
7.6	9.47	503776-4010	40
6.4	8.27	503776-3410	34
5.6	7.47	503776-3010	30
4.4	6.27	503776-2410	24
3.6	5.47	503776-2010	20
2.8	4.67	503776-1610	16
1.6	3.47	503776-1010	10
B	A	EMBOSSED PACKAGE	極数
		オーダー番号 ORDER No.	CIRCUITS
		CONNECTOR SERIES No. : 503776	

THIS DRAWING CONTAINS INFORMATION THAT IS PROPRIETARY TO MOLEX ELECTRONIC TECHNOLOGIES, LLC AND SHOULD NOT BE USED WITHOUT WRITTEN PERMISSION


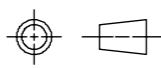
EC NO: 108729 DRWN: JFURUKAWA CHK'D: TASAKAWA APPR: KMORIKAWA	2016/09/21	GENERAL TOLERANCES (UNLESS SPECIFIED)		DIMENSION UNITS	SCALE	
	2016/09/27	ANGULAR TOL ± 3.0 °		MM	15:1	
	2016/09/27	4 PLACES	± 0.03	DRWN BY	DATE	
		3 PLACES	± 0.03	JFURUKAWA	2016/09/21	
		2 PLACES	± 0.05	CHK'D BY	DATE	
		1 PLACE	± 0.1	TASAKAWA	2016/09/27	
		0 PLACES	± 0.2	APPR BY	DATE	
		DRAFT WHERE APPLICABLE MUST REMAIN WITHIN DIMENSIONS		KMORIKAWA	2016/09/27	
				DRAWING SIZE	THIRD ANGLE PROJECTION	
				A3		
PRODUCT CUSTOMER DRAWING						SERIES: 503776 MATERIAL NUMBER: SEE TABLE CUSTOMER: GENERAL
DOCUMENT NUMBER: 5037761000						
DOC TYPE: PSD DOC PART: 000 SHEET NUMBER: 1 OF 2						

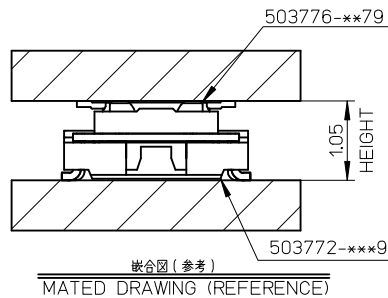
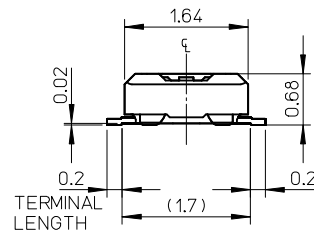
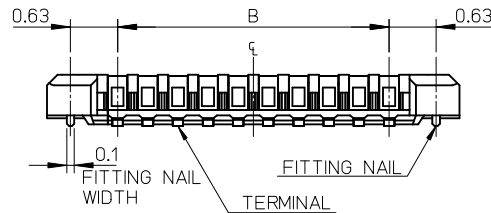
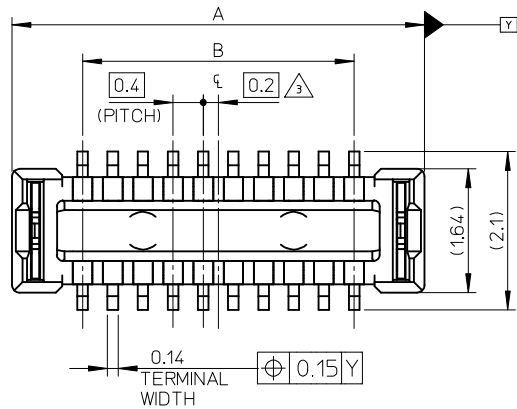


RECOMMENDED P.W. BOARD  
PATTERN LAYOUT

- \*1 パターン引き回し、および半田禁止エリア  
(当該箇所においては、これと接する回路以外の配線を禁止する。  
また、接する回路を配線する場合はレジストを施し、この部分に  
半田は無きこととする。)
- \*1 PROHIBITED AREA OF PATTERN WIRING AND SOLDER.  
(FOR EACH AREA, THE WIRING THAT TOUCHES ON THE SOLDER  
CAN BE ATTACHED, THEN COVERED WITH A FILM TO KEEP SOLDER OUT.)

THIS DRAWING CONTAINS INFORMATION THAT IS PROPRIETARY TO MOLEX ELECTRONIC TECHNOLOGIES, LLC AND SHOULD NOT BE USED WITHOUT WRITTEN PERMISSION

EC NO: 108729 DRWN: JFURUKAWA CHK'D: TASAKAWA APPR: KMORIKAWA	2016/09/21	GENERAL TOLERANCES (UNLESS SPECIFIED)		DIMENSION UNITS	SCALE	
	2016/09/27	ANGULAR TOL ± 3.0 °		MM	20:1	
	2016/09/27	4 PLACES ± 0.03	DRWN BY	DATE		
		3 PLACES ± 0.03	JFURUKAWA	2016/09/21		
		2 PLACES ± 0.05	CHK'D BY	DATE		
	1 PLACE ± 0.1	TASAKAWA	2016/09/27		PRODUCT CUSTOMER DRAWING	
	0 PLACES ± 0.2	APPR BY	DATE			
		KMORIKAWA	2016/09/27			
		DRAFT WHERE APPLICABLE MUST REMAIN WITHIN DIMENSIONS	DRAWING SIZE	THIRD ANGLE PROJECTION		SERIES: 503776 MATERIAL NUMBER: SEE TABLE CUSTOMER: GENERAL
			A3			DOCUMENT NUMBER: 5037761000 DOC TYPE: PSD DOC PART: 000 SHEET NUMBER: 2 OF 2



注記 NOTES

1. 使用材料 MATERIAL

ハウジング : 液晶ポリマー ( LCP ) UL94V-0 ( 黒 )  
HOUSING: LIQUID CRYSTAL POLYMER UL94V-0 ( COLOR:BLACK )

ターミナル : 銅合金  
TERMINAL : COPPER ALLOY

金具 : 銅合金  
FITTING NAIL : COPPER ALLOY

2. メッキ仕様 PLATING

ターミナル TERMINAL

金メッキ  
GOLD

下地メッキ : ニッケルメッキ  
UNDER PLATING : NICKEL

※コンタクト部とテール部はニッケルメッキによって分断されている金メッキです。  
DIVIDE INTO PARTS THE GOLD PLATING OF THE CONTACT AND THE TAIL PART BY THE NICKEL PLATING.

金具 FITTING NAIL

錫メッキ  
Tin PLATING

下地メッキ : ニッケルメッキ  
UNDER PLATING : NICKEL

△ ( 全極数 / 2 ) = 偶数の場合に適用。  
APPLY FOR (CIRCUIT/2)=EVEN.

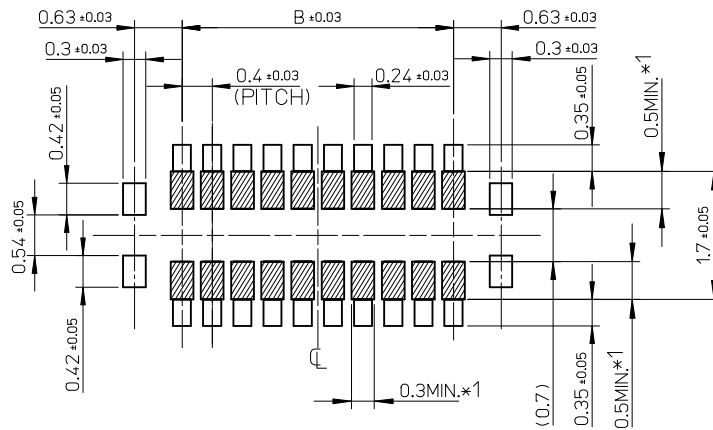
4. 嵌合相手 : 503772 シリーズ  
MATE WITH : 503772 SERIES.

5. テール及び金具の平坦度は、0.08 以下  
TAIL AND FITTING NAIL COPLANARITY TO BE 0.08MAXIMUM.

6. ELV and RoHS COMPLIANT

9.6	11.47	503776-5070	50
7.6	9.47	503776-4070	40
6.4	8.27	503776-3470	34
5.6	7.47	503776-3070	30
B	A	EMBOSSED PACKAGE	
		オーダー番号 ORDER No.	極数 CIRCUITS
		CONNECTOR SERIES NO.:503776-***79	

RELEASED EC NO: J2013-0521 DRWNYFUJIMAKI 2012/11/06 CHKD:TASAKAWA APPR:MSASAO 2012/11/13	GENERAL TOLERANCES (UNLESS SPECIFIED)		DIMENSION STYLE	SCALE	DESIGN UNITS	THIRD ANGLE PROJECTION
			MM ONLY	15:1	METRIC	◎ □
	10 UNDER	± 0.2	DRAWN BY	DATE	TITLE	
	10 OVER 30 UNDER	± 0.25	YFUJIMAKI	2012/11/06	0.4 BB CONN.HGT=0.8 W=2.5 PLUG CHECKER TYPE ASS'Y <b>molex</b>	
	30 OVER	± 0.3	TASAKAWA	2012/11/08		
ANGULAR	± 1 °	APPROVED BY	DATE	MATERIAL NO.	DOCUMENT NO.	SHEET NO.
DRAFT WHERE APPLICABLE MUST REMAIN WITHIN DIMENSIONS		MSASAO	2012/11/13	SEE TABLE	SD-503776-003	1 OF 2
		THIS DRAWING CONTAINS INFORMATION THAT IS PROPRIETARY TO MOLEX INCORPORATED AND SHOULD NOT BE USED WITHOUT WRITTEN PERMISSION				



RECOMMENDED P.W. BOARD  
PATTERN LAYOUT

- \*1 パターン引き回し、および半田禁止エリア  
(当該箇所においては、これと接する回路以外の配線を禁止する。  
また、接する回路を配線する場合はレジストを施し、この部分に  
半田は無きこととする。)
- \*1 PROHIBITED AREA OF PATTERN WIRING AND SOLDER.  
(FOR EACH AREA, THE WIRING THAT TOUCHES ON THE SOLDER  
CAN BE ATTACHED, THEN COVERED WITH A FILM TO KEEP SOLDER OUT.)

RELEASED EC NO: J2013-0521 DRWN: YFUJIMAKI 2012/11/06 CHKD: TASAKAWA APPR: MSASAO 2012/11/13	GENERAL TOLERANCES (UNLESS SPECIFIED)		DIMENSION STYLE MM ONLY		SCALE 20:1	DESIGN UNITS METRIC	THIRD ANGLE PROJECTION	
	10 UNDER	± 0.2	DRAWN BY YFUJIMAKI	DATE 2012/11/06	TITLE 0.4 BB CONN.HGT=0.8 W=2.5 PLUG CHECKER TYPE ASS'Y			
	10 OVER 30 UNDER	± 0.25	CHECKED BY TASAKAWA	DATE 2012/11/08				
	30 OVER	± 0.3	APPROVED BY MSASAO	DATE 2012/11/13	molex			
	ANGULAR ± 1 °		MATERIAL NO. SEE SHEET 1					
DRAFT WHERE APPLICABLE MUST REMAIN WITHIN DIMENSIONS		THIS DRAWING CONTAINS INFORMATION THAT IS PROPRIETARY TO MOLEX INCORPORATED AND SHOULD NOT BE USED WITHOUT WRITTEN PERMISSION						