

Specifications:

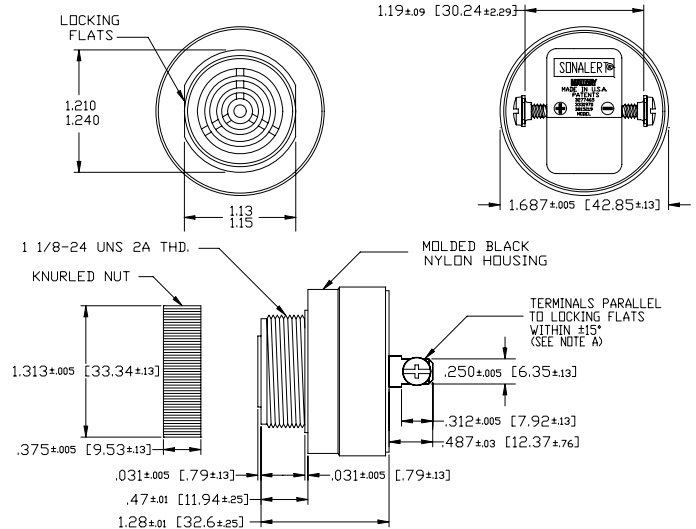
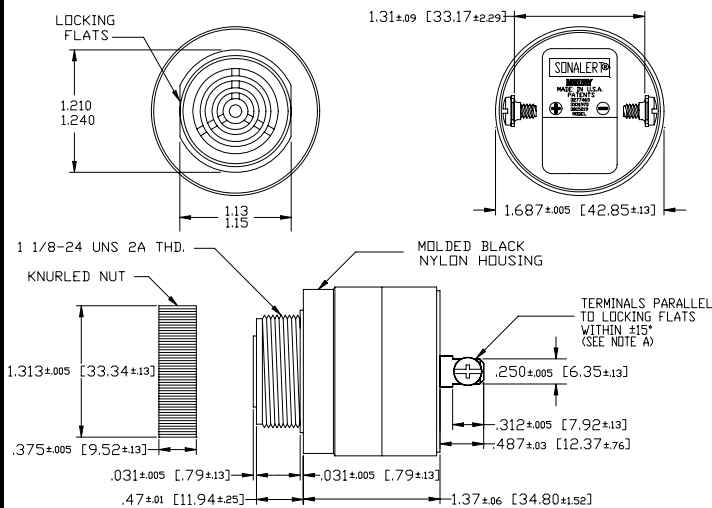
| | |
|-------------------------|-----------------------------------|
| Sound level Category | Loud Sound Level |
| Mode of Operation | Fast Pulse |
| Mounting | Panel (see note B) |
| Voltage Rating | 6 to 28 VDC |
| Frequency | 2900 Hz ±500 Hz |
| Loudness (Min. Voltage) | 80 dB(A) min. @ 2 FT and 6 VDC |
| Loudness (Max Voltage) | 90 dB(A) min. @ 2 FT and 28 VDC |
| Current Draw | 4 mA Max @ 6 VDC |
| Current Draw | 16 mA Max @ 28 V/DC |
| Min. Pulse Rate (PPS) | 2 @ 6 VDC |
| Max. Pulse Rate (PPS) | 10 @ 28 VDC |
| Duty Cycle (%) | 50 Approx. |
| Storage Temperature | -40°C to +85°C |
| Operating Temperature | -30°C to +65°C |
| Weight (Typical) | 1.6 oz (45 g) |
| Housing | 6/6 Nylon, Color Black |
| Options | For other options contact factory |

Dimensions: Inches (mm):

RoHS Compliant

PART DIMENSIONS BEFORE CODE DATE 0811 5

PART DIMENSIONS AFTER CODE DATE 0812 1



NOTE A: TERMINALS--032 BRASS TIN PLATED, TAPPED FOR #6-32 SCREW. TWO #6-32 NICKEL PLATED BRASS SCREWS INCLUDED. WILL ACCEPT 1/4" QUICK CONNECT.

NOTE B: MOUNTING-- REMOVE BLACK PLASTIC NUT AND INSERT THREADED FRONT THROUGH 1.25" HOLE PUNCHED IN PANEL. IF ORIENTATION IS NEEDED, NOTE LOCKING FLATS ON DRAWING. SCREW NUT BACK ON. DO NOT OVERTIGHTEN.

NOTE A: TERMINALS--032 BRASS TIN PLATED, TAPPED FOR #6-32 SCREW. TWO #6-32 NICKEL PLATED BRASS SCREWS INCLUDED. WILL ACCEPT 1/4" QUICK CONNECT.

NOTE B: MOUNTING-- REMOVE BLACK PLASTIC NUT AND INSERT THREADED FRONT THROUGH 1.25" HOLE PUNCHED IN PANEL. IF ORIENTATION IS NEEDED, NOTE LOCKING FLATS ON DRAWING. SCREW NUT BACK ON. DO NOT OVERTIGHTEN.