

4

3

2

1

THIS DRAWING IS UNPUBLISHED.

RELEASED FOR PUBLICATION

---

© COPYRIGHT BY TYCO ELECTRONICS CORPORATION.

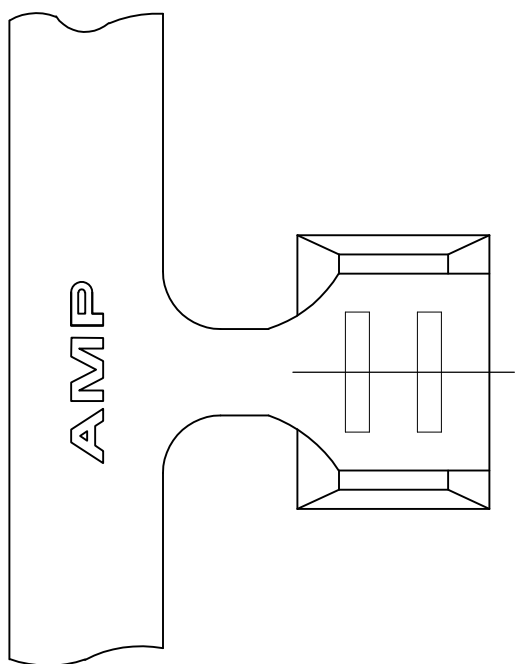
ALL RIGHTS RESERVED.

LOC  
AF

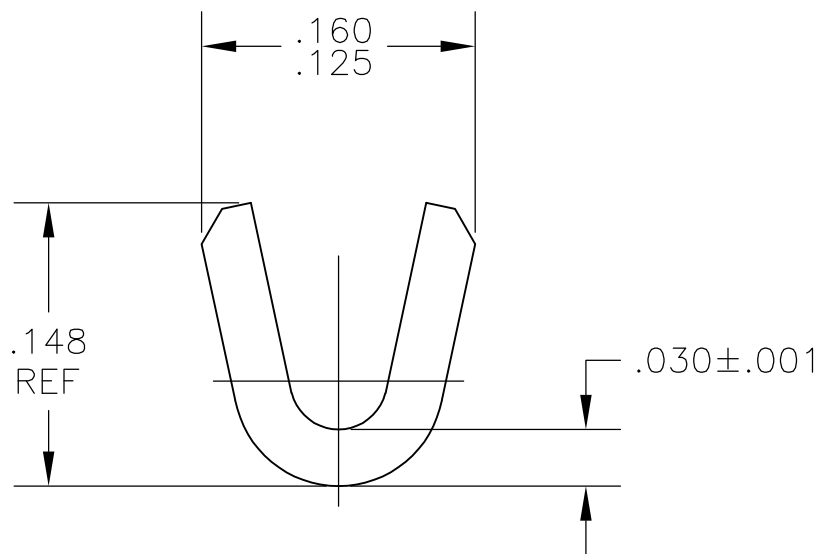
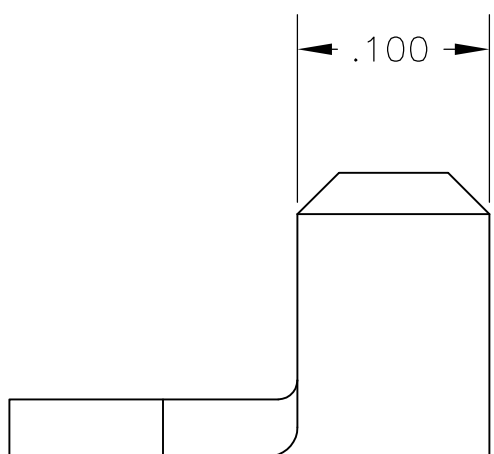
DIST  
50

REVISIONS

P	LTR	DESCRIPTION	DATE	DWN	APVD
	B1	ECR-07-018635(REDRAWN IN AUTOCAD)	03JUL07	HMR	GP



- 1 CONTINUOUS STRIP ON REELS
- 2 WIRE RANGE: 500 TO 2200 CMA



485016-1  
PART NO

THIS DRAWING IS A CONTROLLED DOCUMENT.

DWN RAGHAVENDRA 03JUL07

CHK G.D.PORTA 03JUL07

APVD G.D.PORTA 03JUL07

PRODUCT SPEC

APPLICATION SPEC

WEIGHT -

CUSTOMER DRAWING

**Tyco Electronics** Tyco Electronics Corporation  
Harrisburg, PA 17105-3608

NAME

SPLICE

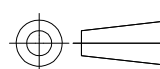
SIZE CAGE CODE DRAWING NO RESTRICTED TO

A3 00779 C-485016 -

SCALE 10:1 SHEET 1 OF 1 REV B1

DIMENSIONS:  
INCHES

TOLERANCES UNLESS  
OTHERWISE SPECIFIED:



0 PLC	± -
1 PLC	± -
2 PLC	± -
3 PLC	± .010
4 PLC	± -
ANGLES	± -

MATERIAL  
BRASS

FINISH  
NONE