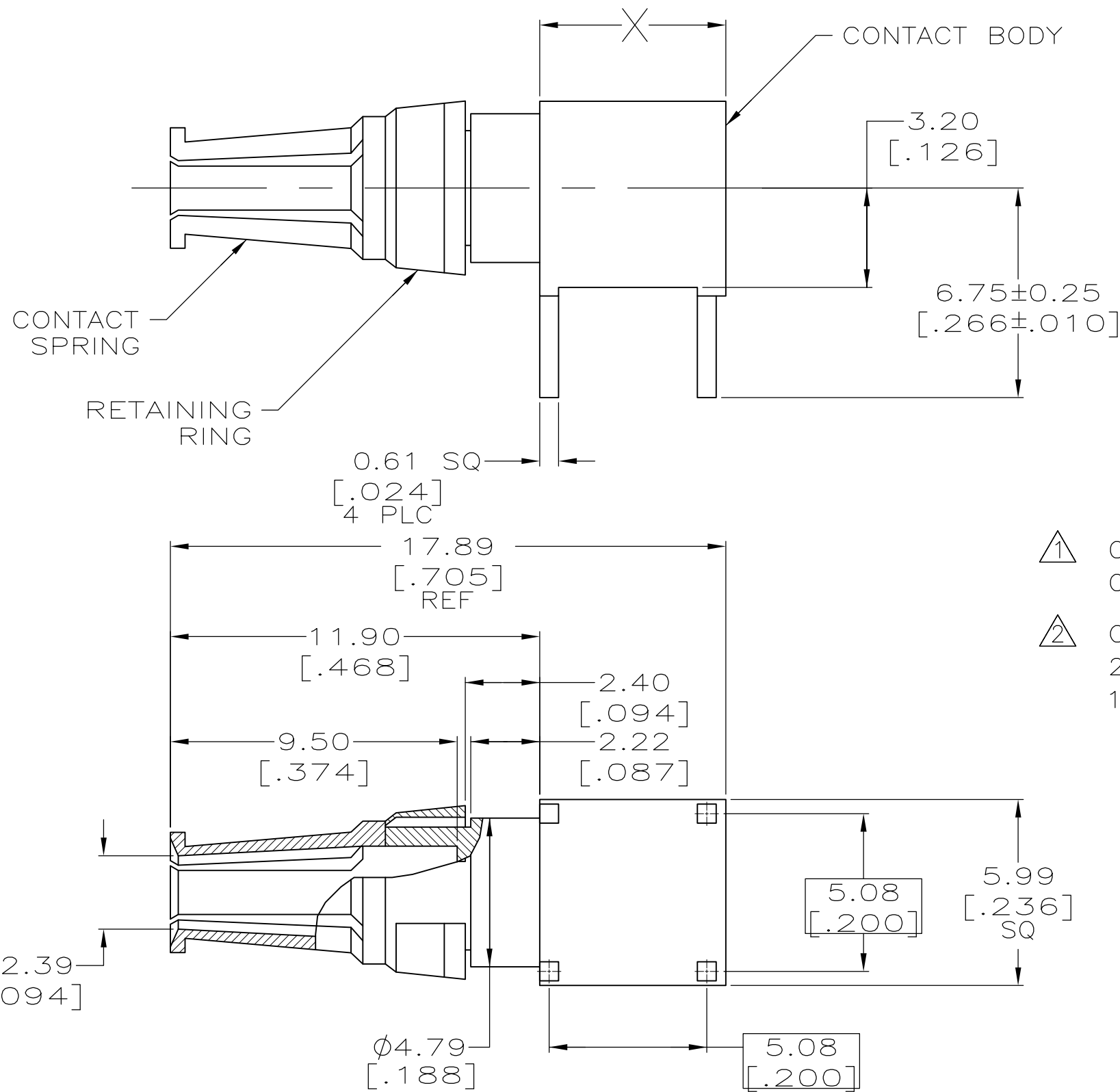


THIS DRAWING IS UNPUBLISHED. RELEASED FOR PUBLICATION  
 © COPYRIGHT - BY TYCO ELECTRONICS CORPORATION. ALL RIGHTS RESERVED.

LOC	DIST	REVISIONS					
AD	00	P	LTR	DESCRIPTION	DATE	DWN	APVD
			B	REV PER EC 0512-0302-05	05DEC05	BC	GS
			C	ECR-10-019054	15SEP10	DP	MQW



- 1 CONTACT SPRING & RETAINING RING: BERYLLIUM COPPER. CONTACT BODY: BRASS.
- 2 CONTACT FINISH: 0.76µm [.000030] MIN GOLD IN CONTACT AREA, 2.54µm [.000100] MIN TIN-LEAD IN AREA "X", ALL OVER 1.27µm [.000050] MIN NICKEL.

148534-1  
 PART NUMBER

THIS DRAWING IS A CONTROLLED DOCUMENT.		DWN	B.CARBO	04 JUN 99	Tyco Electronics Corporation Harrisburg, PA 17105-3608
DIMENSIONS: INCHES		CHK	C.RICHARD	04 JUN 99	
TOLERANCES UNLESS OTHERWISE SPECIFIED: 0-PLC ± .005 ± 0.2 1-PLC ± .005 2-PLC ± 0.13 [.005] 3-PLC ± .005 4-PLC ± .005 ANGLES ± .005		APVD	C.RICHARD	04 JUN 99	
MATERIAL		NAME		POWER CONTACT, EUROCARD TYPE M, FEMALE 90 DEG, PRINTED CIRCUIT BOARD MOUNT, MFBL, WITH SOLDER POSTS, (40 AMP)	
FINISH		PRODUCT SPEC	SIZE		CAGE CODE
1		2		A3	00779
CUSTOMER DRAWING		DRAWING NO		C-148534	
SCALE		SHEET		REV	
6:1		1 OF 1		C	