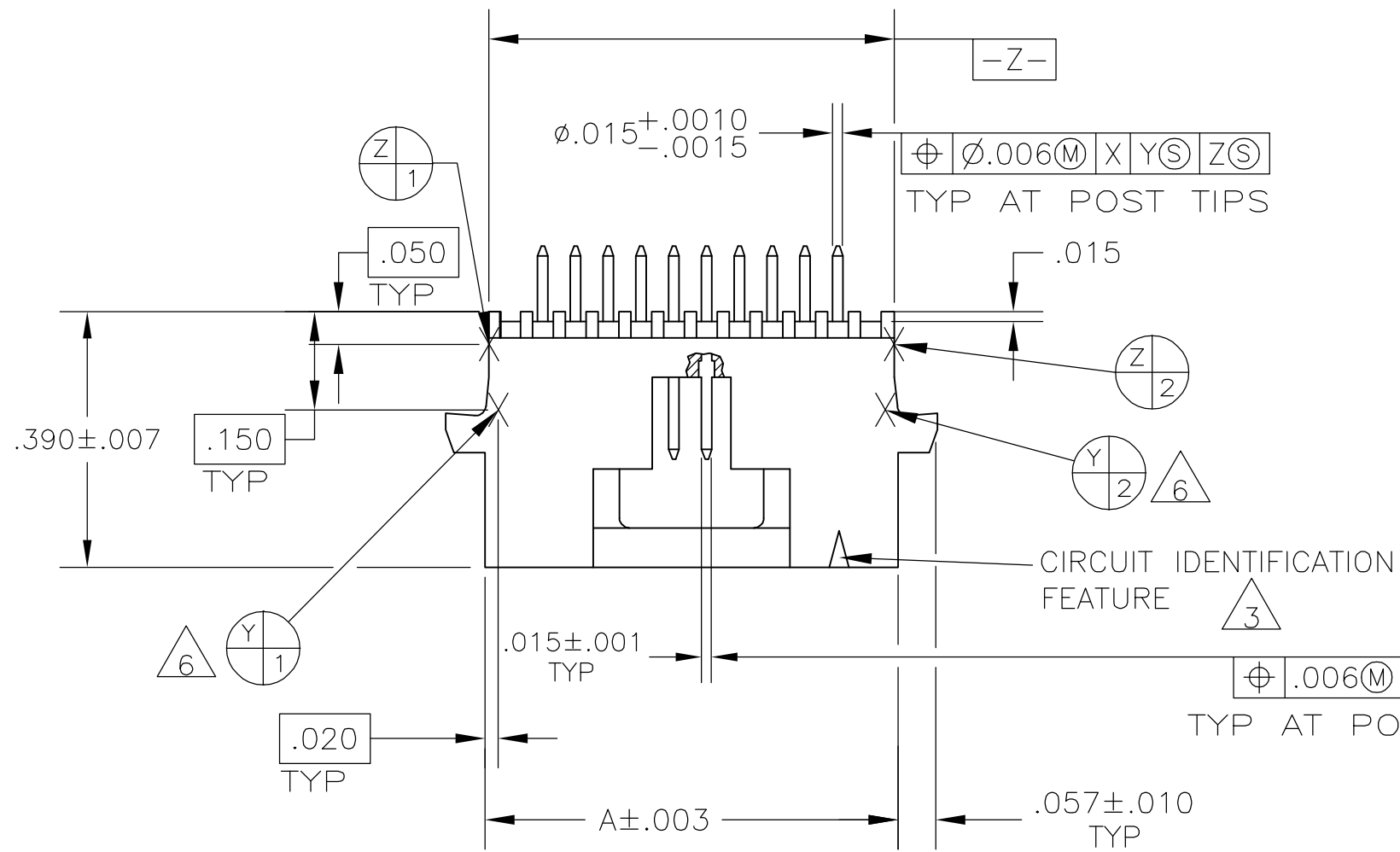
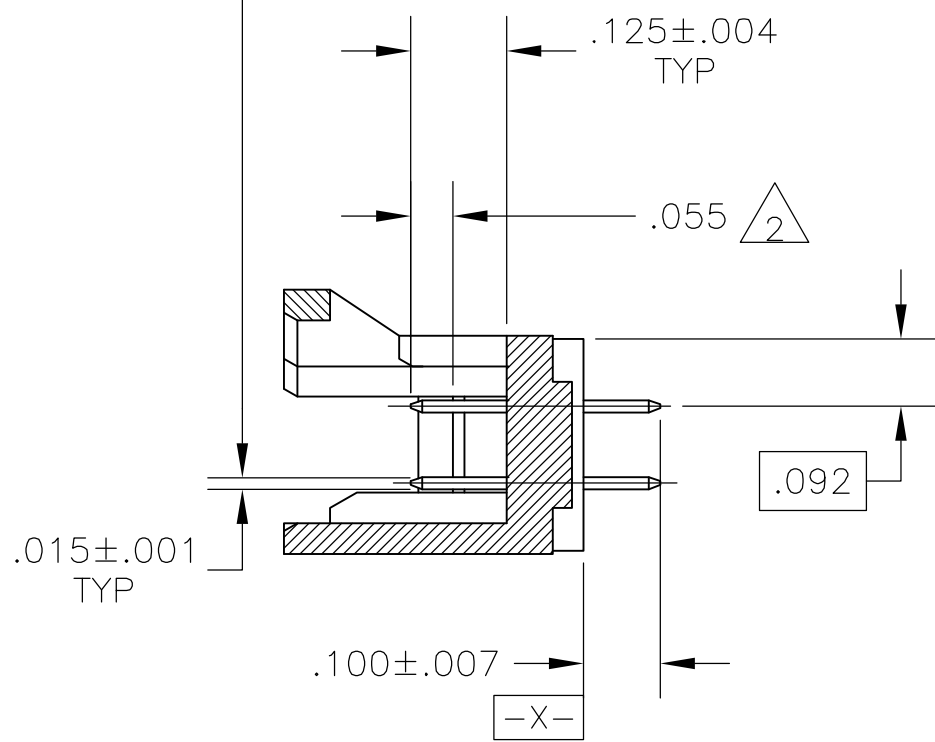
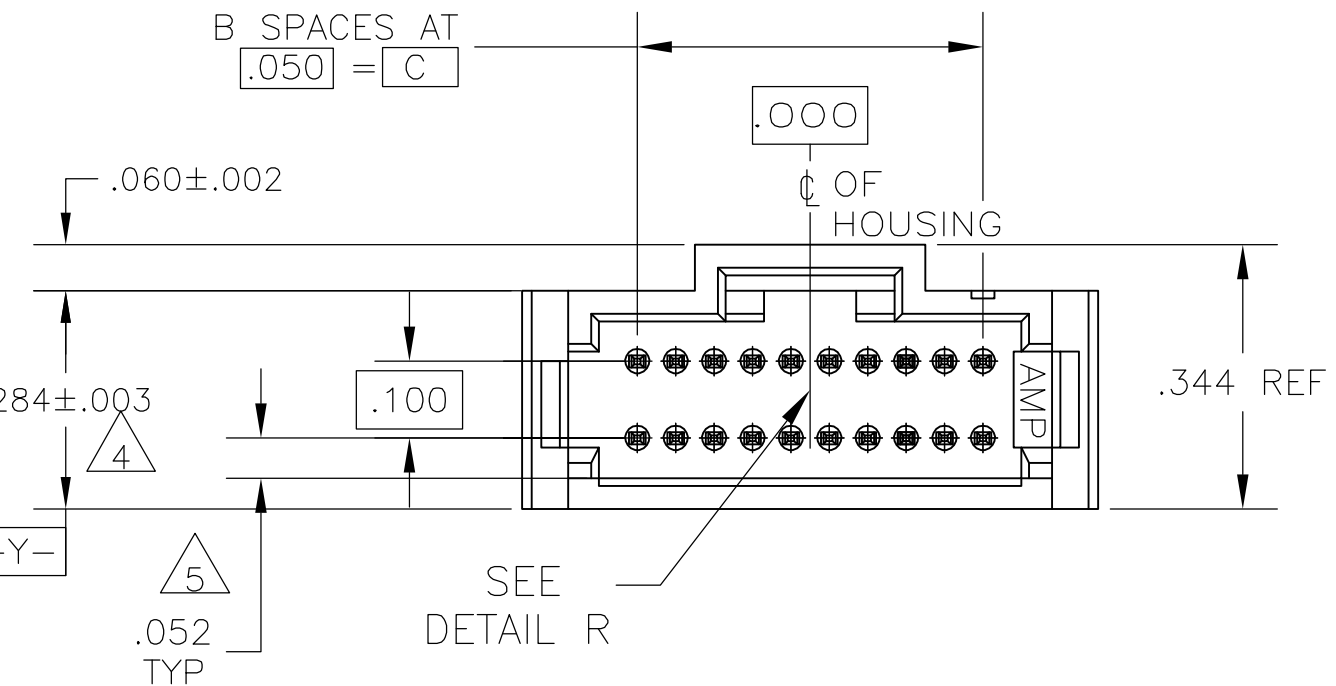


THIS DRAWING IS UNPUBLISHED. RELEASED FOR PUBLICATION
 © COPYRIGHT BY TYCO ELECTRONICS CORPORATION. ALL RIGHTS RESERVED.

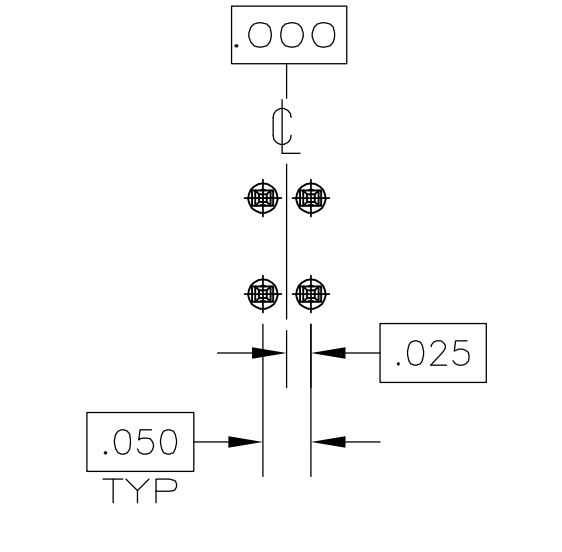
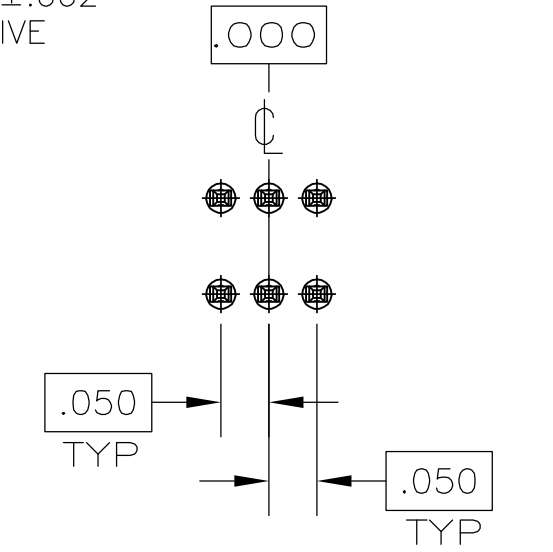
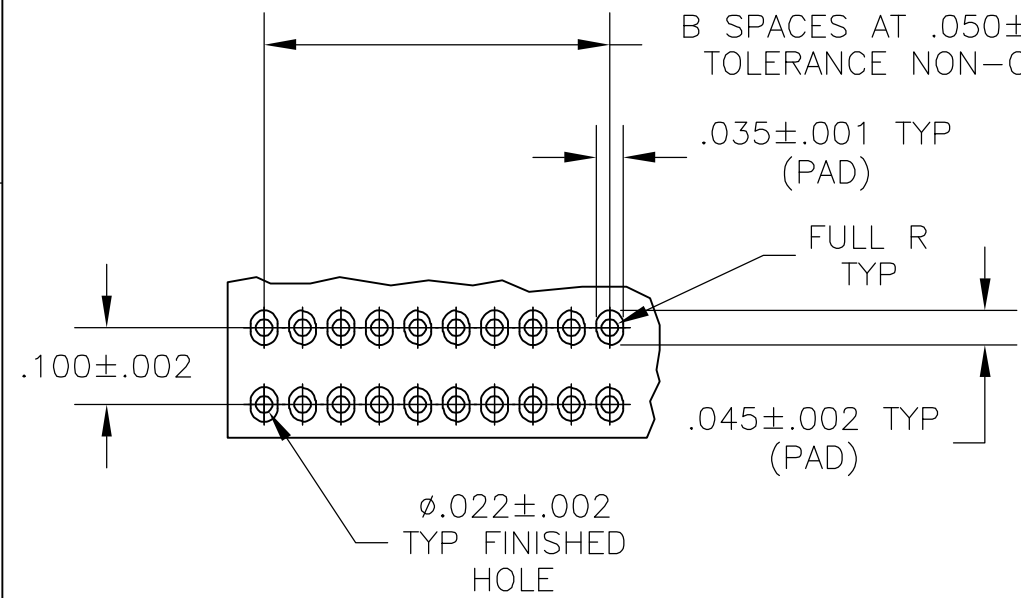
LOC		DIST		REVISIONS			
AD	00	P	LTR	DESCRIPTION	DATE	DWN	APVD
		N		ECR-05-000991, ECR-05-003293	01JUN05	MB	DLS



- 1 CONTACT AREA PLATED WITH .000030 MIN GOLD; SOLDER TAILS PLATED WITH .000150 MIN TIN-LEAD, ALL OVER .000050 MIN NICKEL
- 2 POINT OF MEASUREMENT FOR PLATING THICKNESS
- 3 CIRCUIT IDENTIFICATION FEATURE OMITTED ON 8,10,12 AND 14 POSN HEADER ASSEMBLIES
- 4 DIMENSION APPLIES AT BASE OF SHROUD
- 5 THE NOTED DIMENSIONS APPLY AT THE INTERSECTION OF THE POST AND HOUSING
- 6 $\begin{matrix} Y \\ \text{---} \\ 3 \end{matrix}$ $\begin{matrix} Y \\ \text{---} \\ 4 \end{matrix}$ ARE LOCATED THE SAME AS $\begin{matrix} Y \\ \text{---} \\ 1 \end{matrix}$ $\begin{matrix} Y \\ \text{---} \\ 2 \end{matrix}$ EXCEPT ON OPPOSITE SIDE OF HOUSING.
- 7 CONTACT AREA PLATED WITH .000030 MIN. GOLD; SOLDER TAILS PLATED WITH .000150 MIN TIN; ALL OVER .000050 MIN NICKEL



PRELIMINARY	7 2	1.650	33	1.830	68	6-104068-8
		2.450	49	2.630	100	6-104068-7
		1.950	39	2.130	80	6-104068-6
		1.750	35	1.930	72	6-104068-5
		1.050	21	1.230	44	6-104068-4
		.800	16	.980	34	6-104068-3
		.600	12	.780	26	6-104068-2
		.550	11	.730	24	6-104068-1
		.350	7	.530	16	6-104068-0
		.300	6	.480	14	5-104068-9
OBSOLETE	7 2	.250	5	.430	12	5-104068-8
		.150	3	.330	8	5-104068-7
		1.450	29	1.630	60	5-104068-6
		1.200	24	1.380	50	5-104068-5
		.950	19	1.130	40	5-104068-4
		.700	14	.880	30	5-104068-3
		.200	4	.380	10	5-104068-2
		.450	9	.630	20	5-104068-1
		1.650	33	1.830	68	1-104068-8
		2.450	49	2.630	100	1-104068-7
FINISH	1 2	1.950	39	2.130	80	1-104068-6
		1.750	35	1.930	72	1-104068-5
		1.050	21	1.230	44	1-104068-4
		.800	16	.980	34	1-104068-3
		.600	12	.780	26	1-104068-2
		.550	11	.730	24	1-104068-1
		.350	7	.530	16	1-104068-0
		.300	6	.480	14	104068-9
		.250	5	.430	12	104068-8
		.150	3	.330	8	104068-7
		1.450	29	1.630	60	104068-6
		1.200	24	1.380	50	104068-5
		.950	19	1.130	40	104068-4
		.700	14	.880	30	104068-3
		.200	4	.380	10	104068-2
		.450	9	.630	20	104068-1
						NO OF POS
						PART NUMBER



RECOMMENDED HOLE PATTERN

BASIC DIMENSIONS FOR EVEN NO OF SPACES (SEE TABLE)

BASIC DIMENSIONS FOR ODD NO OF SPACES (SEE TABLE)

DETAIL R

THIS DRAWING IS A CONTROLLED DOCUMENT.		DWN	10-3-88	 Tyco Electronics Corporation Harrisburg, Pa 17105-3608							
DIMENSIONS: INCHES		CHK	10-3-88								
TOLERANCES UNLESS OTHERWISE SPECIFIED:		APVD	10-3-88								
0 PLC ± - 1 PLC ± - 2 PLC ± - 3 PLC ± - 4 PLC ± - ANGLES ± - FINISH SEE TABLE		NAME	108-1093								
MATERIAL: HOUSING: THERMOPLASTIC COLOR-BLACK POST: COPPER ALLOY		PRODUCT SPEC	114-25031	SIZE	A2	CAGE CODE	00779	DRAWING NO	C=104068	RESTRICTED TO	-
		APPLICATION SPEC		SCALE	4:1	SHEET	1	OF	1	REV	N
		CUSTOMER DRAWING									