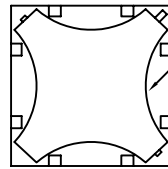
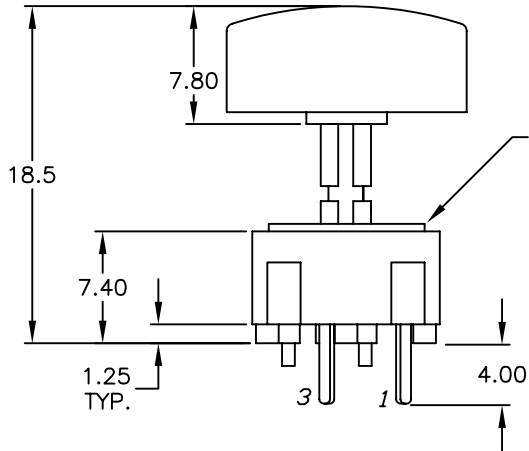


320.09 GREEN CAP  
(B099464)



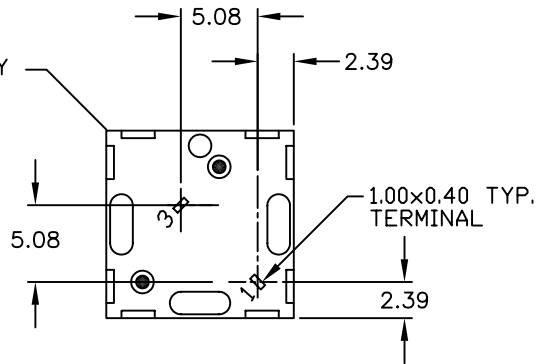
320 E1-1 CONTACT  
(B050001)

SHOWN CAP REMOVED

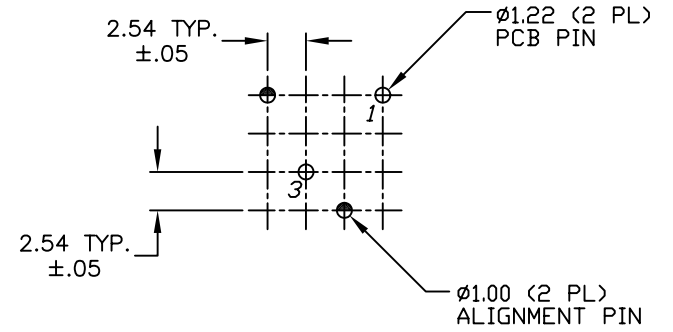


320.03 CAP BLK  
(B040303)

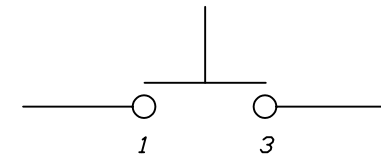
320 E1-1 BODY  
(B01ME11)



TOP VIEW -SHOW ORIENTATION OF LEGENDS  
IN RESPECT TO THE PCB PIN TERMINALS.



RECOMMENDED P.C.B. LAYOUT



CIRCUIT: SPST  
CONTACT CONFIGURATION

- NOTES:
1. ALL DIMENSIONS IN MM
  2. GENERAL TOLERANCE: X.X=±0.4  
X.XX=±0.25
  3. TERMINAL NO'S FOR REFERENCE ONLY.
  4. RATING: 25mA, @50VDC
  5. OPERATING FORCE: 120gF
  6. TRAVEL TO MAKE: 0.7mm

**E-SWITCH®**

A	14901	RELEASED FOR PRODUCTION	5/11/05	JB
REV.	ECN No.	DESCRIPTION	DATE	CHKD

THE INFORMATION CONTAINED IN THIS DOCUMENT  
IS PROPRIETARY TO E-SWITCH AND IS  
NOT TO BE COPIED OR TRANSFERRED

TITLE				
320.03 E1-1 (w/.09 GREEN)				
SCALE	DATE	DR	DWG	REV
2:1	5/11/05	JB	XB0912P	A