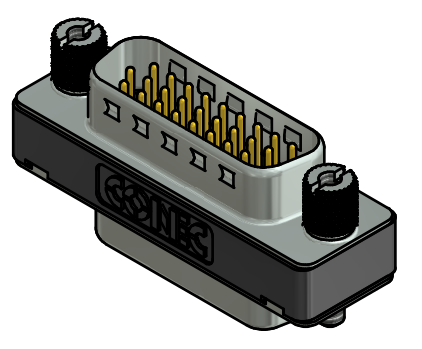


NOTES:

1. METALSHELLS: STEEL; min. 315µin TIN over 40-80µin NICKEL
2. INSULATOR: PBT GF UL 94 V-0; BLACK
3. CONTACTS: COPPER ALLOY; PLATING (SEE PART NO):
 - PLEASE ADD A for GOLD FLASH over NICKEL (PREFERRED TYPE)
 - PLEASE ADD B for 20µin HARD GOLD over min. 50µin NICKEL
 - PLEASE ADD C for 30µin HARD GOLD over min. 50µin NICKEL
4. THREADED INSERTS: COPPER ALLOY; min 200µin TIN over 80µin NICKEL
5. JACK SCREWS: COPPER ALLOY; NICKEL PLATED
6. CAPACITANCE: 830pF ± 20%
7. DIELECTRIC WITHSTANDING VOLTAGE: 300 VDC
8. MAXIMUM TORQUE VALUE FOR THREAD: 6 in.LB
9. CONNECTOR IS PART MARKED: 243□13870X CONEC ABC (see note 3)



RoHS compliant

THIS DRAWING MAY NOT BE COPIED OR REPRODUCED IN ANY WAY, AND MAY NOT BE PASSED ON TO A THIRD PARTY WITHOUT WRITTEN PERMISSION. OWNERSHIP AND COPYRIGHT OF CONEC GmbH DO NOT ALTER CAD DRAWING BY HAND				tolerance		dim. in mm		scale: 2:1 (5:1)	
				date		name		material: see notes	
				drawn	09.02.2015	Heinrich		title: D-SUB HD LC-FILTER ADAPTER 26pos. SOCKET / PLUG	
				appd.	09.02.2015	Lehmenkühler			
				norm					
				d-old				dwg no:	
				a	Original			24K1A1570	
				rev.	description	date	name	DIN-A3	
				CONEC ®				sh: 1	
						part no: 243□13870X (see note 3)			