

FMC & PMC Mezzanine Cards describes a specification of I/O mezzanine modules in conjunction with FPGA or another device with configurable I/O capability. The design allows use on any industry standard slot card with form factors such as VME, VPX, CompactPCI, AdvancedTCA, MicroTCA, PCI, PXI, and many others.. Wakefield-Vette can customize your specific application needs for custom FMC & PMC Bezels.

**Features:**

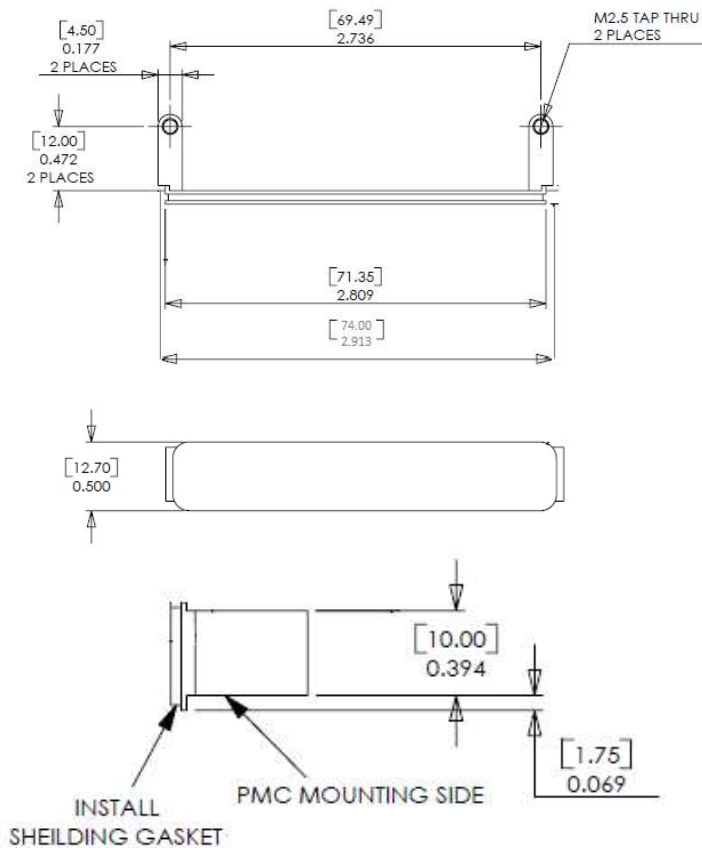
- Material: Aluminum
- Kit: Bezel, Elastomer Gasket, Two M2.5 x 6mm PH Stainless Steel Screws
- Custom cutouts, silkscreen or overlays available



| WV Part Number   | Description                         | Kit Description   | Size   |
|------------------|-------------------------------------|---|--|
| PMC-BEZEL-KIT-01 | Aluminum PMC Bezel Kit (1050056-00) | PMC Bezel, Elastomer Gasket, Qty. Two M2.5 x 6mm Screws | 0.659" L x 0.500" W x 2.913" H (16.75mm x 12.70mm x 74.00mm) |
| FMC-BEZEL-KIT-01 | Aluminum FMC Bezel Kit (1050117-00) | FMC Bezel, Elastomer Gasket, Qty. Two M2.5 x 6mm Screws | 0.659" L x 0.500" W x 2.404" H (16.75mm x 12.70mm x 61.00mm) |
| PMC-GASKET-01    | PMC EMC GASKET O RING (1070010-00)  | Spare, Replacement Component                            |  |
| FMC-GASKET-01    | FMC EMC GASKET O RING (1070036-00)  | Spare, Replacement Component                            |  |

**PMC-BEZEL-KIT-01**

*Kit with PMC Gasket & Mounting Hardware*



**FMC-BEZEL-KIT-01**

*Kit with FMC Gasket & Mounting Hardware*

