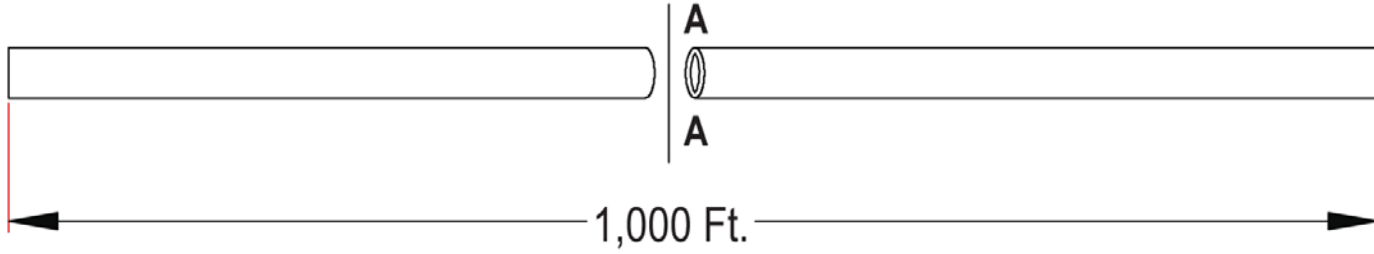


A



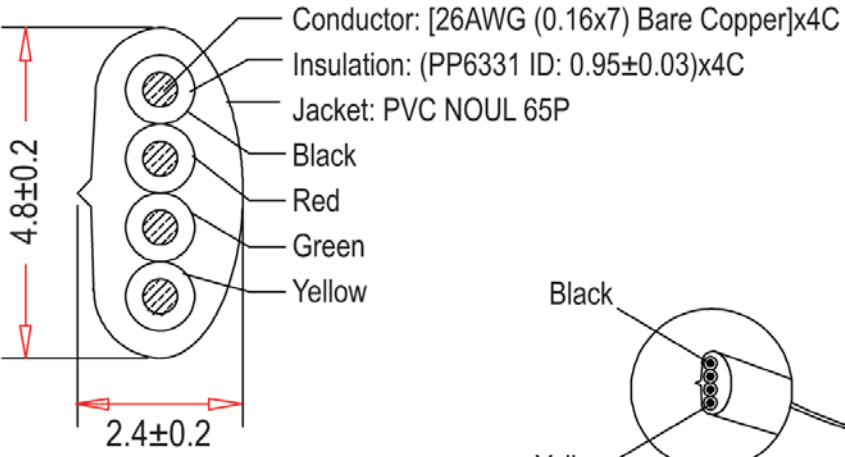
A

B

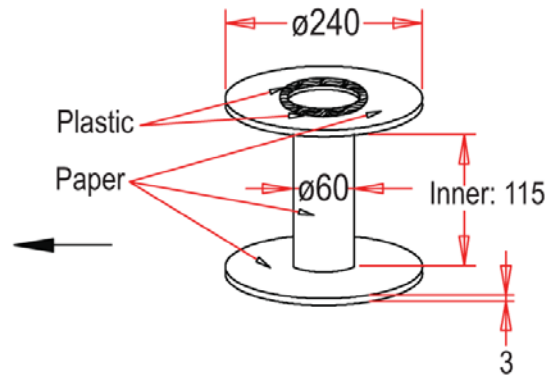
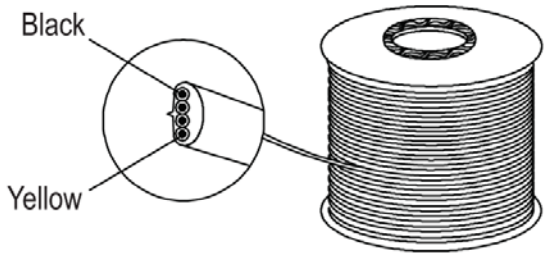
B

C

C



Sec: A - A



1,000Ft/R. "PE" Foam Wrapped

Unit: MM

G

G

Scale	1:1					Name	Item No.	
TOLERANCE					Drawn	11.18.11	AT-K-26-4-B/1000	
X.X	±0.40				Approved			
X.XX	±0.25							
X.XXX	±0.15							
Angle	±3°							
ASSMANN W/S/W components							Drawing No.	rev00
							Replace	
		Modification	Date	Name				



H

H