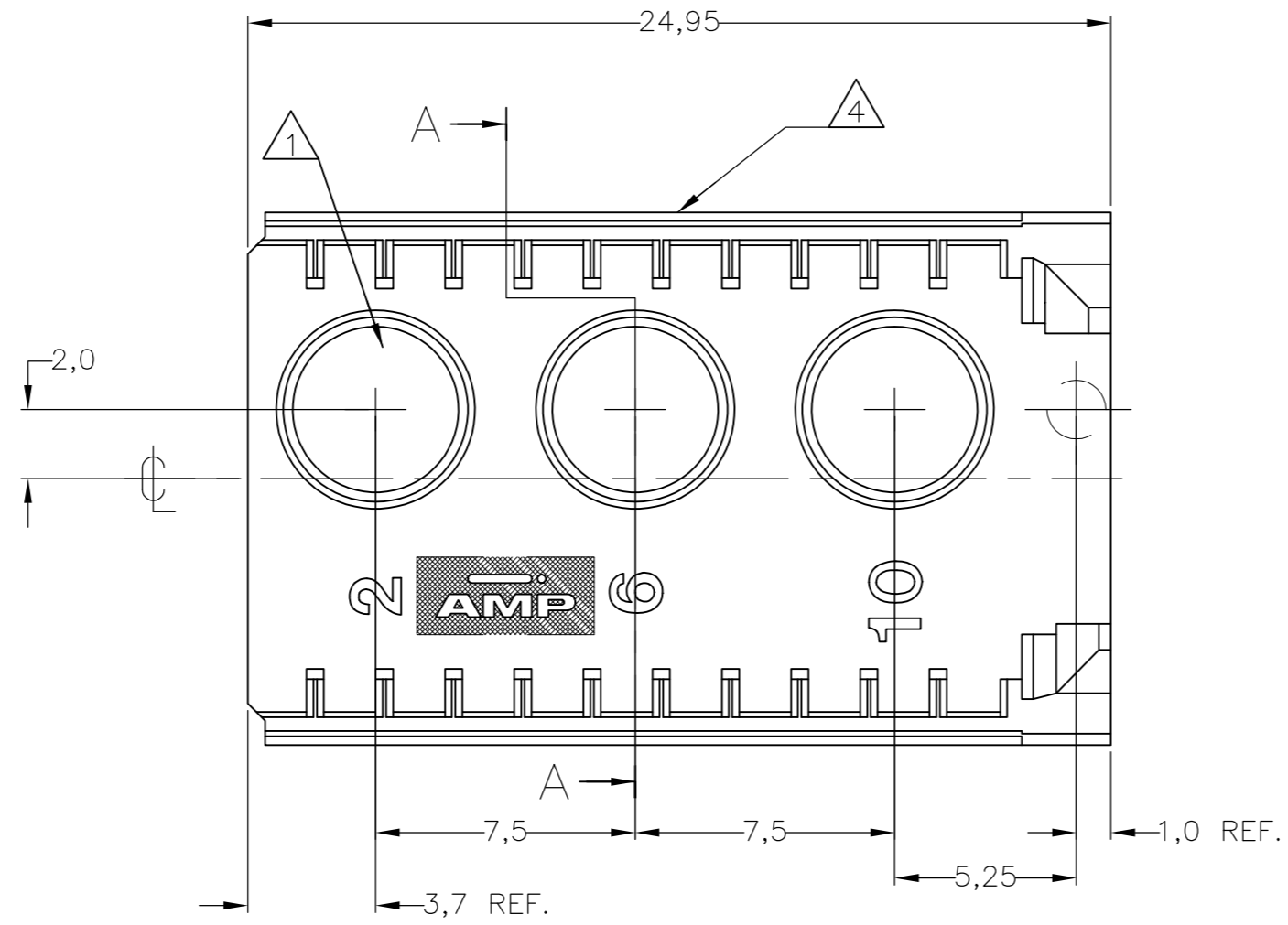
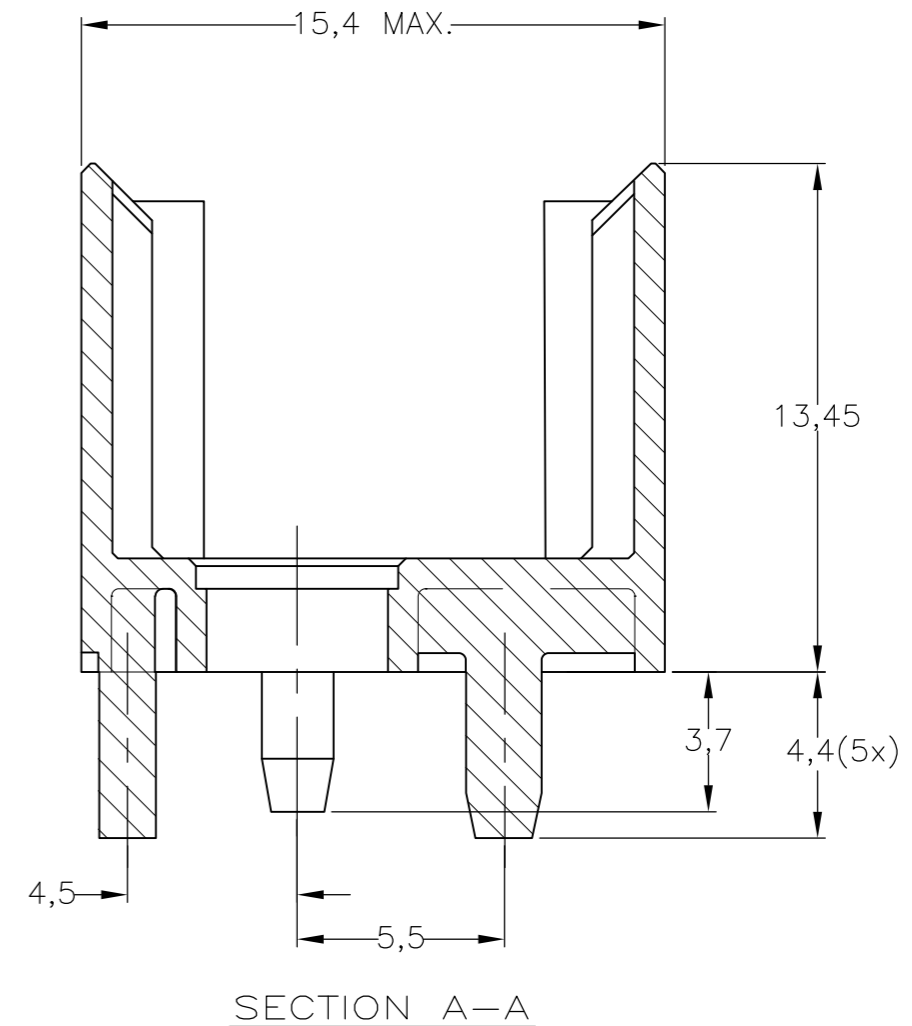
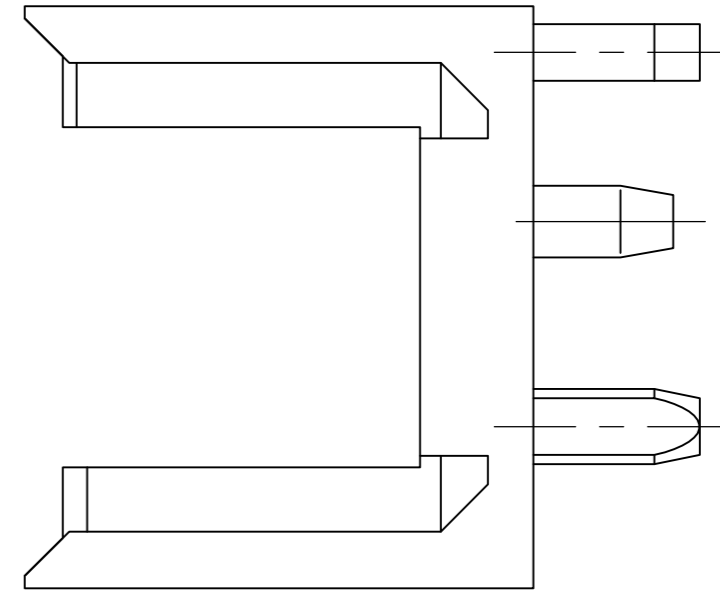
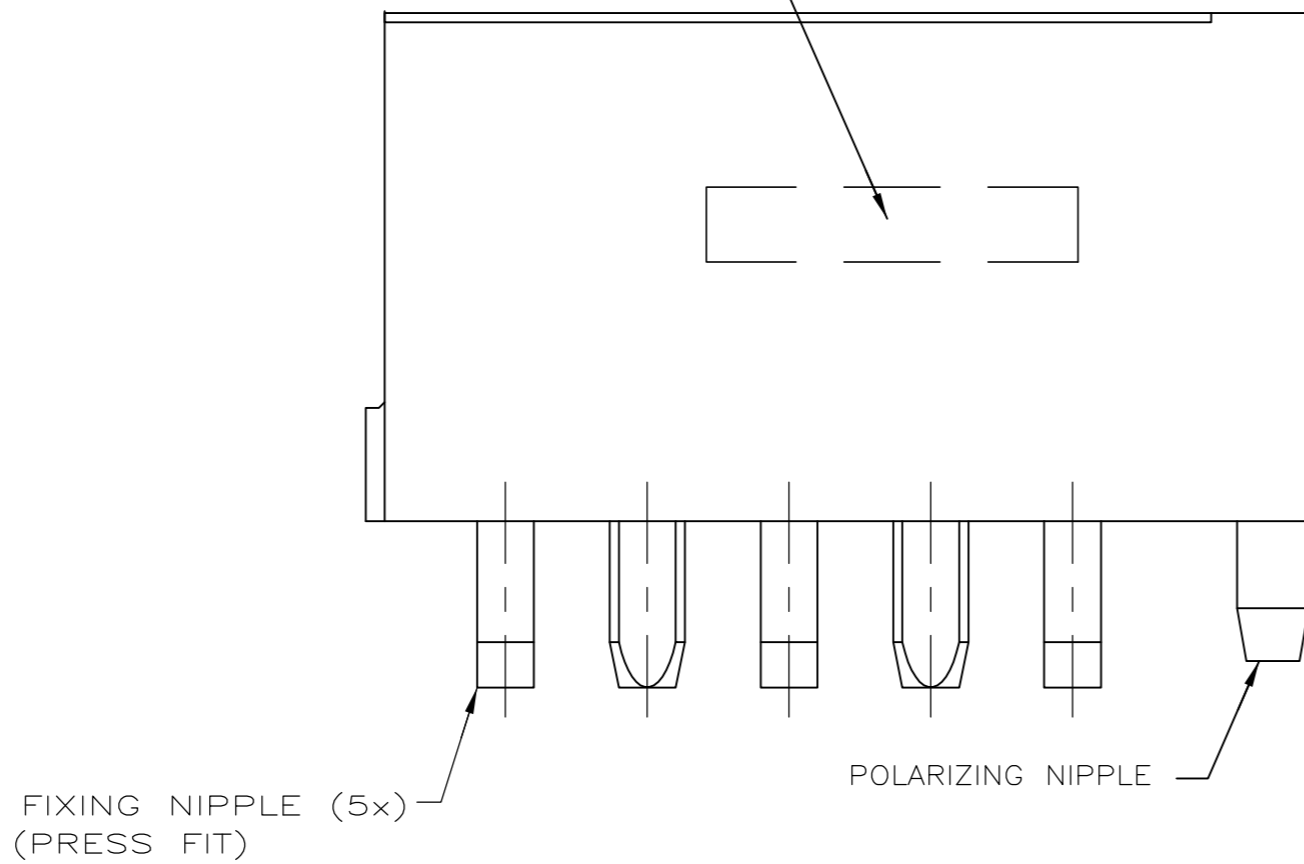


THIS DRAWING IS UNPUBLISHED. RELEASED FOR PUBLICATION
 © COPYRIGHT - By - ALL RIGHTS RESERVED.

LOC		DIST		REVISIONS			
P	LTR	DESCRIPTION		DATE	DWN	APVD	
H	-	E1	REVISED PER ECO-11-005033	31MAR11	RK	HMR	

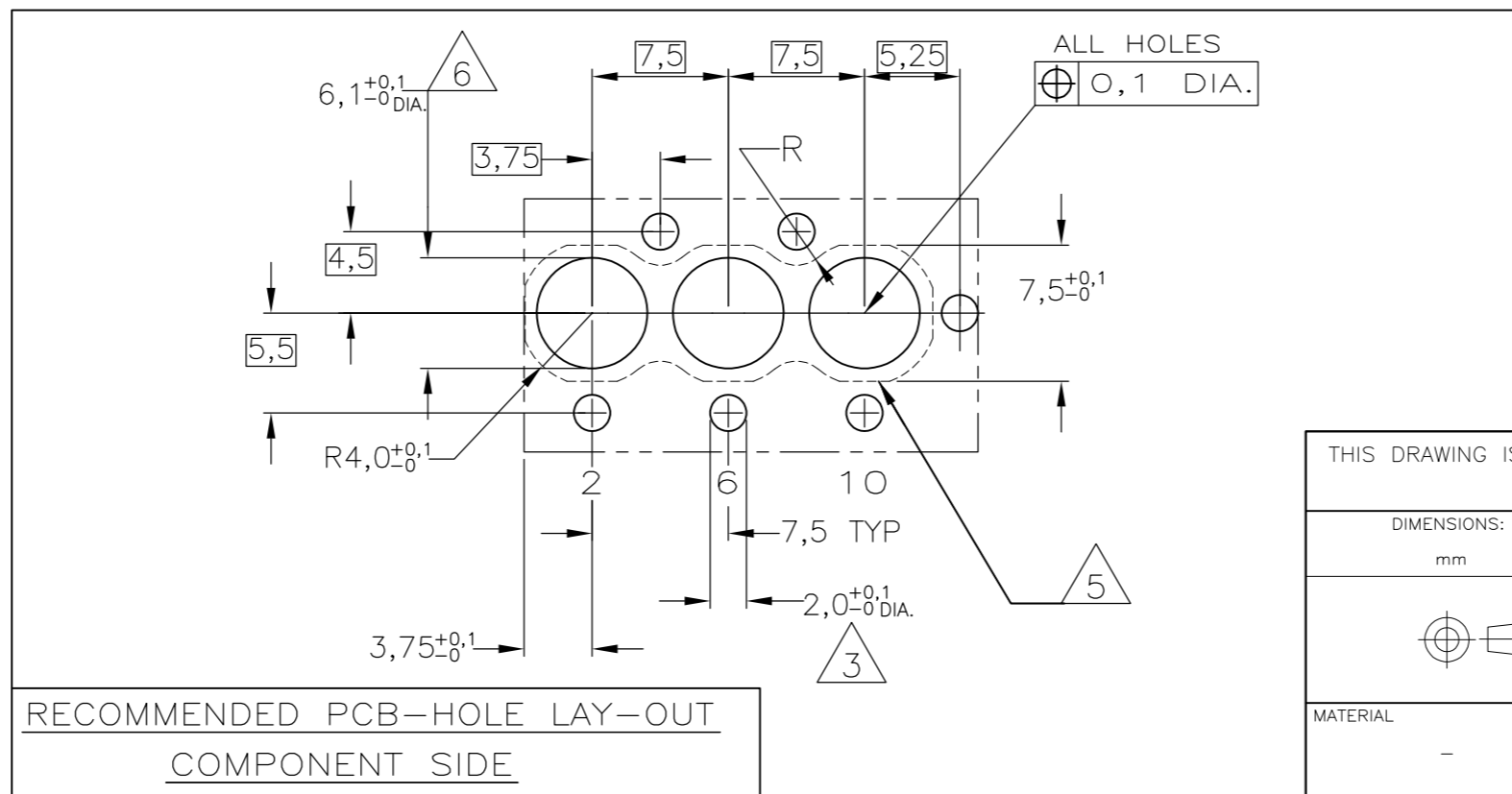


PRINTING AREA (AT OTHER SIDE)



NOTES:

- 1 CONTACT CAVITIES SUITABLE FOR 4,8 DIA. HIGH CURRENT, HIGH FREQUENCY OR FIBRE OPTIC CONTACTS AS PER DIN 41626 (SEE ALSO NOTE 5 AND 6).
- 2 MATERIAL HOUSING : GREY GLASSFILLED POLYESTER.
- 3 NOT PLATED-THROUGH HOLES (6x).
- 4 CONNECTOR PRINTED WITH PARTNUMBER AND DATECODE.
- 5 PATTERN FOR FIBRE OPTIC CONTACTS.
- 6 NOT PLATED-THROUGH HOLES; TO BE REPLACED BY 5,9^{+0,1} DIA. PLATED-THROUGH HOLES IF STRAIGHT SOLDER CONTACTS ARE APPLIED.
- 7 BULK PACKED
- 8 PACKED IN TUBES
- 9 OBSOLETE PARTS: OBSOLETE CIS STREAMLINING PER D.RENAUD/D.SINISI



THIS DRAWING IS A CONTROLLED DOCUMENT.

DIMENSIONS:	TOLERANCES UNLESS OTHERWISE SPECIFIED:
mm	±0.2
	±0.2
MATERIAL	FINISH
-	-

DWN	17 MAR 92	S. MEEUWSEN	TE Connectivity
CHK	23 MAR 92		
APVD	13 APR 92	L. v. SOEST	Z-PACK 2mm HM
PRODUCT SPEC	108-19082	APPLICATION SPEC	TYPE N MALE CONNECTOR HOUSING
WEIGHT	-	114-19029	RESTRICTED TO
CUSTOMER DRAWING	SCALE	A2 00779	1 OF 1
	SHEET	C=100751	REV E1