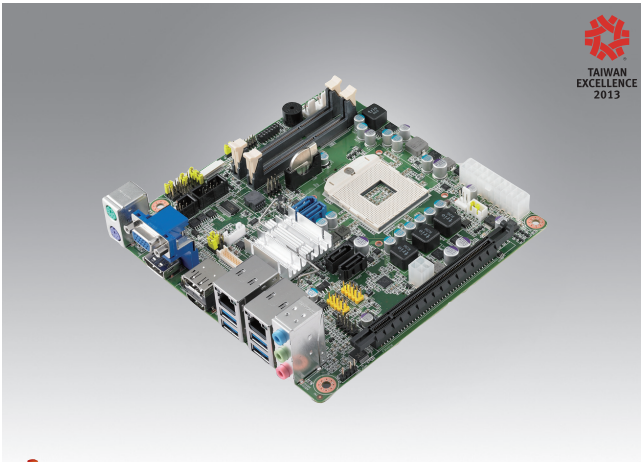


AIMB-273

Intel® Core™ i7/i5/i3/Celeron
uFC-PGA988 Mini-ITX with 2 DP/HDMI/
LVDS/CRT, 2 COM, Dual LAN, PCIe x16



iManager WISE-PaaS/RMM RoHS COMPLIANT CE FCC

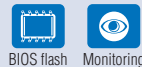
Features

- Supports Intel® Core™ i7/i5/i3 mobile processor (PGA) with Intel QM77 chipset
- Two 204-pin SO-DIMM up to 16 GB DDR3 1333/1600 MHz SDRAM
- Supports triple display of 2 DP, HDMI, LVDS, CRT
- Supports PCIe x16 (Gen 3) and mini PCIe
- Supports Intel vPro, AMT 8.0, PECI 3.0, Software RAID 0,1,5,10, TPM 1.2 (optional)
- Supports iManager, WISE-PaaS/RMM and Embedded Software APIs

Software APIs:



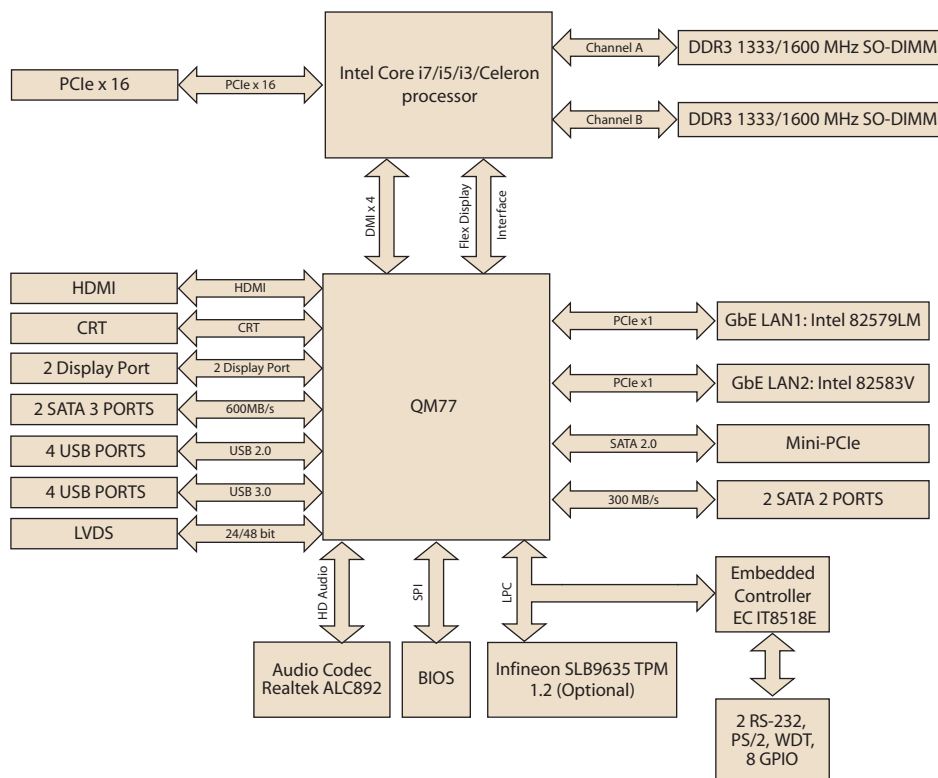
Utilities:



Specifications

| | CPU | Intel Core i7-3610QE | Intel Core i7-2710QE | Core i5-3610ME | Core i5-2510E | Core i3-3120ME | Core i3-2330E | Celeron B810 | |
|--------------------------|---|--|----------------------|----------------|---------------|----------------------------|---------------|--------------|--|
| Processor System | Core Number | 4 | 4 | 2 | 2 | 2 | 2 | 2 | |
| | Max Speed | 2.3 GHz | 2.1 GHz | 2.7GHz | 2.5 GHz | 2.4 GHz | 2.2 GHz | 1.6 GHz | |
| | L3 Cache | 6 MB | 6 MB | 3MB | 3 MB | 3MB | 3 MB | 2 MB | |
| | Chipset | QM77 | | | | | | | |
| | BIOS | AMI EFI 64 Mbit SPI | | | | | | | |
| Expansion Slot | PCI | - | | | | | | | |
| | Mini-PCIe | 1 | | | | | | | |
| | PCIe x16 (Gen3) | 16 GB/s per direction, 1 slot | | | | | | | |
| Memory | Technology | Dual Channel DDR3 1333/1600 MHz SDRAM | | | | | | | |
| | Max. Capacity | 16 GB/8 GB per SO-DIMM | | | | | | | |
| | Socket | 2 x 204 PIN DDR3 SO-DIMM | | | | | | | |
| Graphics | Controller | Integrated Gfx Gen 7, supports DirectX11, OpenGL 3.1 and OpenCL 1.1 | | | | | | | |
| | VRAM | Shared system memory, 2 GB and above, total system memory shared 1 GB maximum video memory | | | | | | | |
| | CRT | Yes, supports max. resolution 2048 x 1536 | | | | | | | |
| | LVDS | Supports dual channel 48 bit up to 1920 x 1080 | | | | | | | |
| | HDMI | Supports HDMI 1.4, 1650 Mbps/channel with 165 MHz | | | | | | | |
| Triple Display | DP+LVDS+HDMI, DP+DP+HDMI, DP+DP+LVDS, DP+CRT+HDMI (The Celeron B810 processor doesn't support triple display) | | | | | | | | |
| Ethernet | Interface | 10/100/1000 Mbps | | | | | | | |
| | Controller | GbE LAN1: Intel 82579LM, LAN2: Intel 82583V | | | | | | | |
| | Connector | RJ-45 x 2 | | | | | | | |
| SATA | Max Data Transfer Rate | 600 MB/s (SATA 3.0)/ 300 MB/s (SATA 2.0) | | | | | | | |
| | Channel | 2/2 | | | | | | | |
| Rear I/O | CRT | 1 | | | | | | | |
| | HDMI | 1 | | | | | | | |
| | Display Port | 2 | | | | | | | |
| | Ethernet | 2 | | | | | | | |
| | USB | 4 (USB 3.0) | | | | | | | |
| | Audio | 3 (Mic-in, Line-out, Line-in) | | | | | | | |
| | Serial | - | | | | | | | |
| | PS/2 | 2 (1 x keyboard and 1 x mouse) | | | | | | | |
| | Internal Connector | USB | 4 (USB 2.0) | | | | | | |
| LVDS/Inverter | 1 | | | | | | | | |
| Serial | 2 (RS-232, COM2 with 5 V/12 V) | | | | | | | | |
| IDE | - | | | | | | | | |
| SATA | 2 (SATA 3.0), 2 (SATA 2.0) | | | | | | | | |
| Mini-PCIe | 1 | | | | | | | | |
| CFast | 1 | | | | | | | | |
| Parallel | - | | | | | | | | |
| IrDA | - | | | | | | | | |
| GPIO | 8-bit | | | | | | | | |
| Watchdog Timer | Output | System reset | | | | | | | |
| | Interval | Programmable 1 ~ 255 sec/min | | | | | | | |
| Power Requirements | Power On | Intel Core i7 -3610QE 2.30GHz processor/DDR3-1333MHz 4G x2/16G SQFlash | | | | | | | |
| | | 5 V | 3.3 V | 12 V | | 5 Vsb | | -12 V | |
| | | 3.42 A | 1.1 A | 1.19 A | | 0.5 A | | 0.07A | |
| Environment | | Operating | | | | Non-Operating | | | |
| | Temperature | 0 ~ 60° C (32 ~ 140° F), depends on CPU speed and cooler solution | | | | -40 ~ 85° C (-40 ~ 185° F) | | | |
| Physical Characteristics | Dimensions | 170 mm x 170 mm (6.69" x 6.69") | | | | | | | |

Block Diagram



Ordering Information

| Part Number | Chipset | DP | CRT | LVDS | HDMI | GbE LAN | COM |
|------------------|---------|----|-----|------|------|---------|-----|
| AIMB-273G2-00A1E | QM77 | 2 | 1 | 1 | 1 | 2 | 2 |

Packing List

| Part Number | Description | Quantity |
|----------------|------------------|----------|
| 1700003194 | SATA HDD cable | 2 |
| 1703150102 | SATA power cable | 2 |
| 1960051292N001 | CPU cooler | 1 |
| 1960019192T100 | I/O port bracket | 1 |
| 20060273010 | Startup manual | 1 |

I/O View



AIMB-273G2-00A1E

Optional Accessories

| Part Number | Description |
|-------------|------------------------------------|
| 1700003195 | USB cable with two ports, 17.5 cm |
| 1700002204 | USB cable with two ports, 27 cm |
| 1700008461 | USB cable with four ports, 30.5 cm |

Optional Chassis

| Part Number | Description |
|-----------------|---|
| AIMB-B2000-15ZE | Mini-ITX chassis with 150W ATX power supply |

Embedded OS/API

| OS/API | Part number | Description |
|---------|-------------|------------------------------------|
| Win XPE | 2070011021 | XPE WES 2009 |
| WES7 | 2070011359 | Windows 7 Embedded English version |
| WES7E | 2070011440 | WES7E JPN/TC/SC/ENG |