



**MICROCHIP**

---

**MCP16301**  
**High-Performance Low-Noise**  
**5V Output Buck Converter**  
**Evaluation Board**  
**User's Guide**

---

**Note the following details of the code protection feature on Microchip devices:**

- Microchip products meet the specification contained in their particular Microchip Data Sheet.
- Microchip believes that its family of products is one of the most secure families of its kind on the market today, when used in the intended manner and under normal conditions.
- There are dishonest and possibly illegal methods used to breach the code protection feature. All of these methods, to our knowledge, require using the Microchip products in a manner outside the operating specifications contained in Microchip's Data Sheets. Most likely, the person doing so is engaged in theft of intellectual property.
- Microchip is willing to work with the customer who is concerned about the integrity of their code.
- Neither Microchip nor any other semiconductor manufacturer can guarantee the security of their code. Code protection does not mean that we are guaranteeing the product as "unbreakable."

Code protection is constantly evolving. We at Microchip are committed to continuously improving the code protection features of our products. Attempts to break Microchip's code protection feature may be a violation of the Digital Millennium Copyright Act. If such acts allow unauthorized access to your software or other copyrighted work, you may have a right to sue for relief under that Act.

---

Information contained in this publication regarding device applications and the like is provided only for your convenience and may be superseded by updates. It is your responsibility to ensure that your application meets with your specifications. MICROCHIP MAKES NO REPRESENTATIONS OR WARRANTIES OF ANY KIND WHETHER EXPRESS OR IMPLIED, WRITTEN OR ORAL, STATUTORY OR OTHERWISE, RELATED TO THE INFORMATION, INCLUDING BUT NOT LIMITED TO ITS CONDITION, QUALITY, PERFORMANCE, MERCHANTABILITY OR FITNESS FOR PURPOSE. Microchip disclaims all liability arising from this information and its use. Use of Microchip devices in life support and/or safety applications is entirely at the buyer's risk, and the buyer agrees to defend, indemnify and hold harmless Microchip from any and all damages, claims, suits, or expenses resulting from such use. No licenses are conveyed, implicitly or otherwise, under any Microchip intellectual property rights.

**Trademarks**

The Microchip name and logo, the Microchip logo, dsPIC, FlashFlex, KEELOQ, KEELOQ logo, MPLAB, PIC, PICmicro, PICSTART, PIC<sup>32</sup> logo, rPIC, SST, SST Logo, SuperFlash and UNI/O are registered trademarks of Microchip Technology Incorporated in the U.S.A. and other countries.

FilterLab, Hampshire, HI-TECH C, Linear Active Thermistor, MTP, SEEVAL and The Embedded Control Solutions Company are registered trademarks of Microchip Technology Incorporated in the U.S.A.

Silicon Storage Technology is a registered trademark of Microchip Technology Inc. in other countries.


Analog-for-the-Digital Age, Application Maestro, BodyCom, chipKIT, chipKIT logo, CodeGuard, dsPICDEM, dsPICDEM.net, dsPICworks, dsSPEAK, ECAN, ECONOMONITOR, FanSense, HI-TIDE, In-Circuit Serial Programming, ICSP, Mindi, MiWi, MPASM, MPF, MPLAB Certified logo, MPLIB, MPLINK, mTouch, Omniscent Code Generation, PICC, PICC-18, PICDEM, PICDEM.net, PICkit, PICtail, REAL ICE, rLAB, Select Mode, SQI, Serial Quad I/O, Total Endurance, TSHARC, UniWinDriver, WiperLock, ZENA and Z-Scale are trademarks of Microchip Technology Incorporated in the U.S.A. and other countries.

SQTP is a service mark of Microchip Technology Incorporated in the U.S.A.

GestIC and ULPP are registered trademarks of Microchip Technology Germany II GmbH & Co. KG, a subsidiary of Microchip Technology Inc., in other countries.

All other trademarks mentioned herein are property of their respective companies.

© 2012-2013, Microchip Technology Incorporated, Printed in the U.S.A., All Rights Reserved.

 Printed on recycled paper.

ISBN: 978-1-62077-420-5

**QUALITY MANAGEMENT SYSTEM  
CERTIFIED BY DNV  
= ISO/TS 16949 =**

*Microchip received ISO/TS-16949:2009 certification for its worldwide headquarters, design and wafer fabrication facilities in Chandler and Tempe, Arizona; Gresham, Oregon and design centers in California and India. The Company's quality system processes and procedures are for its PIC<sup>®</sup> MCUs and dsPIC<sup>®</sup> DSCs, KEELOQ<sup>®</sup> code hopping devices, Serial EEPROMs, microperipherals, nonvolatile memory and analog products. In addition, Microchip's quality system for the design and manufacture of development systems is ISO 9001:2000 certified.*

---

**Object of Declaration:** MCP16301 High-Performance Low-Noise 5V Output  
Buck Converter Evaluation Board User's Guide

EU Declaration of Conformity

**Manufacturer:** Microchip Technology Inc.  
2355 W. Chandler Blvd.  
Chandler, Arizona, 85224-6199  
USA

This declaration of conformity is issued by the manufacturer.

The development/evaluation tool is designed to be used for research and development in a laboratory environment. This development/evaluation tool is not a Finished Appliance, nor is it intended for incorporation into Finished Appliances that are made commercially available as single functional units to end users under EU EMC Directive 2004/108/EC and as supported by the European Commission's Guide for the EMC Directive 2004/108/EC (8<sup>th</sup> February 2010).

This development/evaluation tool complies with EU RoHS2 Directive 2011/65/EU.

For information regarding the exclusive, limited warranties applicable to Microchip products, please see Microchip's standard terms and conditions of sale, which are printed on our sales documentation and available at [www.microchip.com](http://www.microchip.com).

Signed for and on behalf of Microchip Technology Inc. at Chandler, Arizona, USA



Derek Carlson  
VP Development Tools

07-Dec-11

Date



# MCP16301 HIGH-PERFORMANCE LOW-NOISE 5V BUCK CONVERTER EVALUATION BOARD USER'S GUIDE

---

---

## Table of Contents

---

---

<b>Preface</b> .....	<b>5</b>
Introduction.....	5
Document Layout .....	5
Conventions Used in this Guide .....	6
Recommended Reading.....	7
The Microchip Web Site .....	7
Customer Support .....	7
Document Revision History .....	7
<b>Chapter 1. Product Overview</b>	
1.1 Introduction .....	9
1.2 MCP16301 Short Overview .....	9
1.3 What Is the MCP16301 High Performance Low Noise 5V Buck Converter Evaluation Board? .....	11
1.4 MCP16301 High Performance Low Noise 5V Buck Converter Evaluation Board Kit Contents .....	11
<b>Chapter 2. Installation and Operation</b>	
2.1 Introduction .....	13
2.2 Getting Started .....	14
<b>Appendix A. Schematic and Layouts</b>	
A.1 Introduction .....	21
A.2 Board – Schematic .....	22
A.3 Board – Top Silk And Copper .....	23
A.4 Board – Mid Inner Layer 1 .....	24
A.5 Board – Mid Inner Layer 2 .....	25
A.6 Board – Bottom Copper and Pads .....	26
<b>Appendix B. Bill of Materials (BOM)</b> .....	<b>27</b>
<b>Worldwide Sales and Service</b> .....	<b>28</b>



**MICROCHIP**

# MCP16301 HIGH-PERFORMANCE LOW-NOISE 5V BUCK CONVERTER EVALUATION BOARD USER'S GUIDE

## Preface

### NOTICE TO CUSTOMERS

All documentation becomes dated, and this manual is no exception. Microchip tools and documentation are constantly evolving to meet customer needs, so some actual dialogs and/or tool descriptions may differ from those in this document. Please refer to our web site ([www.microchip.com](http://www.microchip.com)) to obtain the latest documentation available.

Documents are identified with a “DS” number. This number is located on the bottom of each page, in front of the page number. The numbering convention for the DS number is “DSXXXXA”, where “XXXX” is the document number and “A” is the revision level of the document.

For the most up-to-date information on development tools, see the MPLAB® IDE online help. Select the Help menu, and then Topics to open a list of available online help files.

## INTRODUCTION

This chapter contains general information that will be useful to know before using the MCP16301 High-Performance Low-Noise 5V Buck Converter Evaluation Board. Items discussed in this chapter include:

- Document Layout
- Conventions Used in this Guide
- Recommended Reading
- The Microchip Web Site
- Customer Support
- Document Revision History

## DOCUMENT LAYOUT

This document describes how to use the MCP16301 High-Performance Low-Noise 5V Buck Converter Evaluation Board as a development tool to emulate and debug firmware on a target board. The manual layout is as follows:

- **Chapter 1. “Product Overview”** – Important information about the MCP16301 High-Performance Low-Noise 5V Buck Converter Evaluation Board
- **Chapter 2. “Installation and Operation”** – Includes instructions on how to get started with the MCP16301 High-Performance Low-Noise 5V Buck Converter Evaluation Board and a description of the user’s guide
- **Appendix A. “Schematic and Layouts”** – Shows the schematic and layout diagrams for the MCP16301 High-Performance Low-Noise 5V Buck Converter Evaluation Board
- **Appendix B. “Bill of Materials (BOM)”** – Lists the parts used to build the MCP16301 High-Performance Low-Noise 5V Buck Converter Evaluation Board

## CONVENTIONS USED IN THIS GUIDE

This manual uses the following documentation conventions:

### DOCUMENTATION CONVENTIONS

Description	Represents	Examples
<b>Arial font:</b>		
Italic characters	Referenced books	<i>MPLAB<sup>®</sup> IDE User's Guide</i>
	Emphasized text	...is the <i>only</i> compiler...
Initial caps	A window	the Output window
	A dialog	the Settings dialog
	A menu selection	select Enable Programmer
Quotes	A field name in a window or dialog	"Save project before build"
Underlined, italic text with right angle bracket	A menu path	<u><i>File&gt;Save</i></u>
Bold characters	A dialog button	Click <b>OK</b>
	A tab	Click the <b>Power</b> tab
N'Rnnnn	A number in verilog format, where N is the total number of digits, R is the radix and n is a digit.	4'b0010, 2'hF1
Text in angle brackets < >	A key on the keyboard	Press <Enter>, <F1>
<b>Courier New font:</b>		
Plain Courier New	Sample source code	#define START
	Filenames	autoexec.bat
	File paths	c:\mcc18\h
	Keywords	_asm, _endasm, static
	Command-line options	-Opa+, -Opa-
	Bit values	0, 1
	Constants	0xFF, 'A'
Italic Courier New	A variable argument	<i>file.o</i> , where <i>file</i> can be any valid filename
Square brackets [ ]	Optional arguments	mcc18 [options] <i>file</i> [options]
Curly brackets and pipe character: {   }	Choice of mutually exclusive arguments; an OR selection	errorlevel {0 1}
Ellipses...	Replaces repeated text	var_name [, var_name...]
	Represents code supplied by user	void main (void) { ... }

## RECOMMENDED READING

This user's guide describes how to use the MCP16301 High-Performance Low-Noise 5V Buck Converter Evaluation Board. Other useful documents are listed below. The following Microchip documents are available and recommended as supplemental reference resources.

- **MCP16301 Data Sheet – “High-Voltage Input Integrated Switch Step-Down Regulator” (DS25004)**
- **MCP16301 High-Voltage Buck-Boost Demo Board User’s Guide (DS52020)**
- **MCP16301 High-Voltage Buck Converter 600 mA Demo Board User’s Guide (DS51978)**

## THE MICROCHIP WEB SITE

Microchip provides online support via our web site at [www.microchip.com](http://www.microchip.com). This web site is used as a means to make files and information easily available to customers. Accessible by using your favorite Internet browser, the web site contains the following information:

- **Product Support** – Data sheets and errata, application notes and sample programs, design resources, user’s guides and hardware support documents, latest software releases and archived software
- **General Technical Support** – Frequently Asked Questions (FAQs), technical support requests, online discussion groups, Microchip consultant program member listing
- **Business of Microchip** – Product selector and ordering guides, latest Microchip press releases, listing of seminars and events, listings of Microchip sales offices, distributors and factory representatives

## CUSTOMER SUPPORT

Users of Microchip products can receive assistance through several channels:

- Distributor or Representative
- Local Sales Office
- Field Application Engineer (FAE)
- Technical Support

Customers should contact their distributor, representative or field application engineer (FAE) for support. Local sales offices are also available to help customers. A listing of sales offices and locations is included in the back of this document.

Technical support is available through the web site at:  
<http://www.microchip.com/support>.

## DOCUMENT REVISION HISTORY

### Revision B (August 2013)

- Updated the board layout in [Figure 2-2](#).
- Updated the [A.3 “Board – Top Silk And Copper”](#) and [A.6 “Board – Bottom Copper and Pads”](#) layouts in [Appendix A. “Schematic and Layouts”](#).
- Updated [Appendix B. “Bill of Materials \(BOM\)”](#).

### Revision A (June 2012)

- Initial Release of this Document.

**NOTES:**





# MCP16301 HIGH-PERFORMANCE LOW-NOISE 5V BUCK CONVERTER EVALUATION BOARD USER'S GUIDE

---

---

## Chapter 1. Product Overview

---

---

### 1.1 INTRODUCTION

This chapter provides an overview of the MCP16301 High-Performance Low-Noise 5V Buck Converter Evaluation Board and covers the following topics:

- MCP16301 Short Overview
- What Is the MCP16301 High-Performance Low-Noise 5V Buck Converter Evaluation Board?
- MCP16301 High-Performance Low-Noise 5V Buck Converter Evaluation Board Kit Contents

### 1.2 MCP16301 SHORT OVERVIEW

The MCP16301 device is a highly integrated, high-efficiency, fixed frequency, step-down DC-DC converter in a popular 6-pin SOT-23 package, that operates from input voltage sources up to 30V. Integrated features include a high-side switch, fixed frequency peak current mode control, internal compensation, peak current limit and overtemperature protection.

All control system components necessary for stable operation over the entire device operating range are integrated.

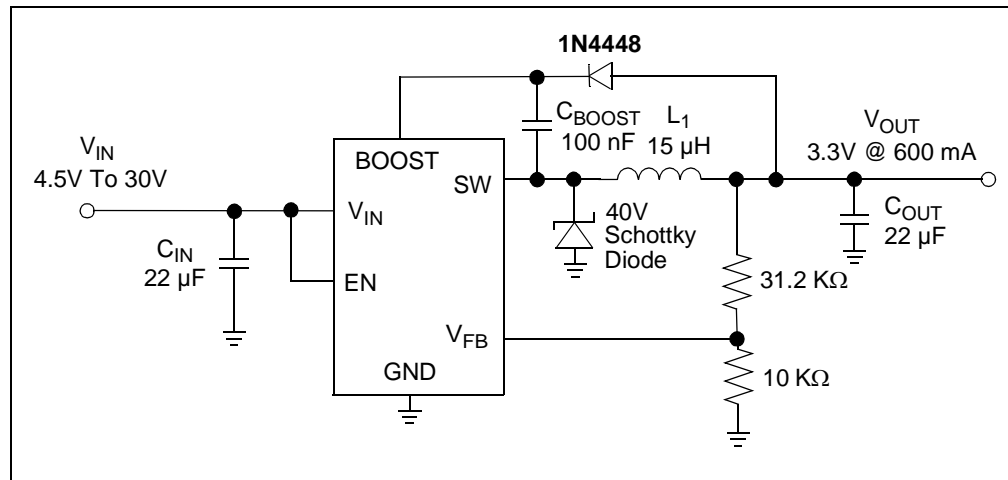
High-converter efficiency is achieved by integrating the current-limited, low-resistance, high-speed N-Channel MOSFET and associated drive circuitry. High-switching frequency minimizes the size of the external filtering components, resulting in a small solution size.

The MCP16301 is a high-input voltage step-down regulator, capable of supplying a maximum of 600 mA to a regulated output voltage from 2.0V to 15V. An integrated precise 0.8V reference combined with an external resistor divider sets the desired converter output voltage. The internal reference voltage rate of rise is controlled during startup, minimizing the output voltage overshoot and the inrush current.

The internally trimmed 500 kHz oscillator provides a fixed frequency, while the peak current mode control architecture varies the duty cycle for output voltage regulation. An internal floating driver is used to turn the high side integrated N-Channel MOSFET on and off. The power for this driver is derived from an external boost capacitor whose energy is supplied from a fixed voltage ranging between 3.0V and 5.5V, typically the output voltage of the converter. For applications with  $5.5V < V_{OUT} < 15V$  and  $V_{IN} < 30V$ , an alternative boost supply must be used (from input derived, output derived or an auxiliary system voltage). For more information and examples, see the MCP16301 data sheet.

The EN input is used to enable and disable the device. If disabled, the MCP16301 device consumes 7  $\mu$ A (typical) from the input. An integrated Under Voltage Lockout (UVLO) prevents the converter from starting until the input voltage is high enough for normal operation. The converter will typically start at 3.5V and operate down to 3.0V.

An overtemperature protection limits the silicon die temperature to +150°C by turning the converter off. The normal switching resumes at +120°C.



**FIGURE 1-1:** Typical MCP16301 3.3V OUT Application.

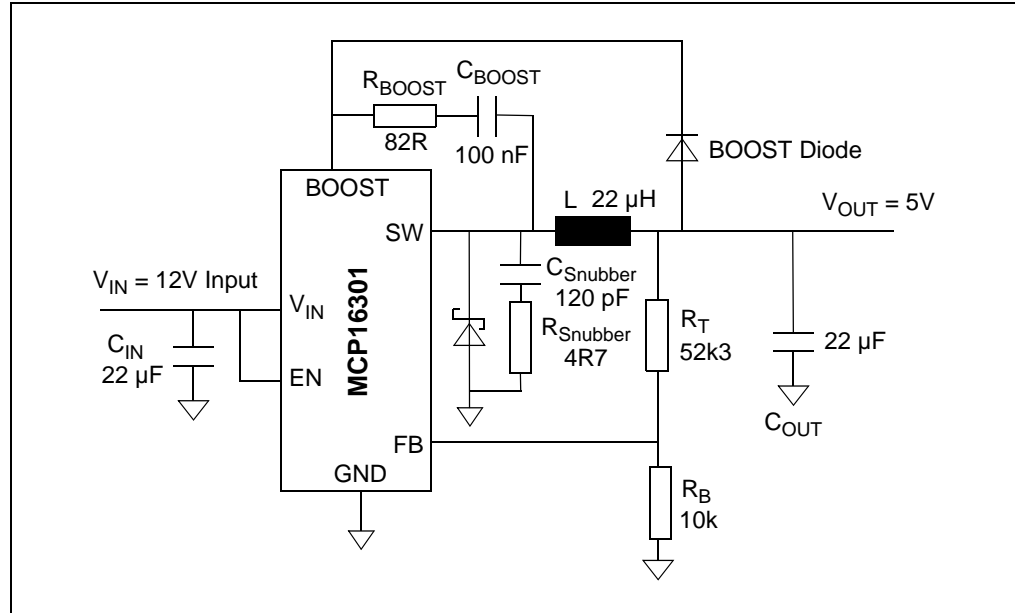
### 1.2.1 MCP16301 Features

- Up to 96% Typical Efficiency
- Input Voltage Range: 4.0V to 30V
- Output Voltage Range: 2.0V to 15V
- 2% Output Voltage Accuracy
- 600 mA Output Current
- Quiescent Current (Switching Mode, No Load): 2 mA Typical
- Quiescent Current (Shutdown, EN = 0): 7 µA Typical
- 500 kHz Fixed Frequency
- Peak Current Mode Control
- Internal Compensation
- Internal Soft-Start
- Cycle-by-Cycle Peak Current Limit
- Undervoltage Lockout (UVLO): 3.5V to Start, 3.0V to Stop
- Overtemperature Protection
- Package type: SOT-23-6

## 1.3 WHAT IS THE MCP16301 HIGH-PERFORMANCE LOW-NOISE 5V BUCK CONVERTER EVALUATION BOARD?

The MCP16301 High-Performance Low-Noise 5V Buck Converter Evaluation Board is designed to operate from a 6V to 30V input and regulate the output to 5V, while delivering a maximum 600 mA of load current.

The evaluation board is optimized for a high-efficiency and low-output noise and ripple, especially at 12V Input and 100 mA load current. Because the MCP16301 is switching fast to achieve high efficiency, high-frequency noise is generated and may affect some RF systems. This evaluation board demonstrates a low-noise, high-performance design.



**FIGURE 1-2:** MCP16301 High-Performance Low-Noise 5V Buck Converter Evaluation Board Block Diagram.

## 1.4 MCP16301 HIGH-PERFORMANCE LOW-NOISE 5V BUCK CONVERTER EVALUATION BOARD KIT CONTENTS

The MCP16301 High-Performance Low-Noise 5V Buck Converter Evaluation Board kit includes:

- MCP16301 High-Performance Low-Noise 5V Buck Converter Evaluation Board
- Important Information Sheet

**NOTES:**



**MICROCHIP**

# MCP16301 HIGH-PERFORMANCE LOW-NOISE 5V BUCK CONVERTER EVALUATION BOARD USER'S GUIDE

---

---

## Chapter 2. Installation and Operation

---

---

### 2.1 INTRODUCTION

The MCP16301 High-Performance Low-Noise 5V Buck Converter Evaluation Board is used to demonstrate a high-voltage input DC-DC converter design, that can deliver high efficiency, while minimizing high-frequency switching noise. The board steps down high-input voltages, up to 30V, to a low-output voltage, having more than 90% efficiency and a minimum of 30 mV output ripple.

High-frequency input/output noise generated by the switching converters can reach high-noise levels that interfere with other devices powered from the same source. The high amplitude of high-frequency noise can disturb some RF systems.

High efficiency is achieved with the MCP16301 buck converter by switching the integrated N-Channel MOSFET at a high speed. This high speed can cause disturbances to other system components if the high-speed switching edges of the converter are not minimized. The designer must be concerned with:

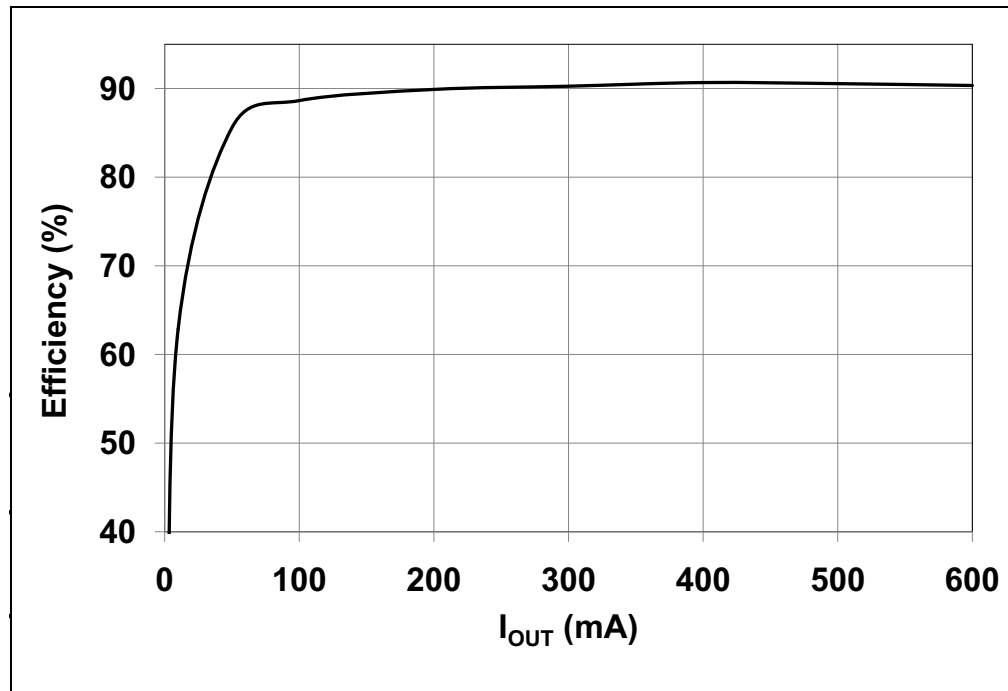
- good PCB layout practice
- choosing high-quality shielded inductors and low Equivalent Series Resistance (ESR) capacitors
- choosing an RC snubber or a  $R_{BOOST}$  resistor to properly limit the speed of the internal N-Channel MOSFET switch (see [Figure 1-2](#)).

The evaluation board is optimized for 12V Input and 100 mA load.

#### 2.1.1 MCP16301 High-Performance Low-Noise 5V Buck Converter Evaluation Board Features

The MCP16301 High-Performance Low-Noise 5V Buck Converter Evaluation Board has the following key features:

- Input Voltage: 6 to 30V
- Output Voltage: 5V
- Output Capability: 600 mA Load Current
- Output Ripple Plus Noise: 30 mV<sub>p-p</sub> @ 12V Input and 100 mA Load
- Low-Radiated Noise
- Efficiency: Up to 91% @ 12V Input (see [Figure 2-1](#))



**FIGURE 2-1:** Efficiency vs. Load Current at 12V Input.

## 2.2 GETTING STARTED

The MCP16301 High-Performance Low-Noise 5V Buck Converter Evaluation Board is fully assembled and tested to evaluate and demonstrate the MCP16301 design.

### 2.2.1 Power Input and Output Connection

#### 2.2.1.1 POWERING THE MCP16301 HIGH-PERFORMANCE LOW-NOISE 5V BUCK CONVERTER EVALUATION BOARD

When the board is ready for evaluation, apply positive input voltage to the  $V_{IN}$  terminal and the corresponding return to the ground terminal. The maximum input voltage should not exceed 30V. An electronic load or resistive load can be used for evaluation. The electronic loads attempt to sink current at 0V during startup. A resistive load or constant resistance is recommended for startup evaluation. Connect the positive voltage terminal of the load to the  $V_{OUT}$  terminal on the evaluation board, and connect the negative or return side of the load to the ground terminal.

Connectors are placed on the bottom side of board:

- $V_{IN}$  for positive power
- Two grounds for negative power
- $V_{OUT}$  connector for output load

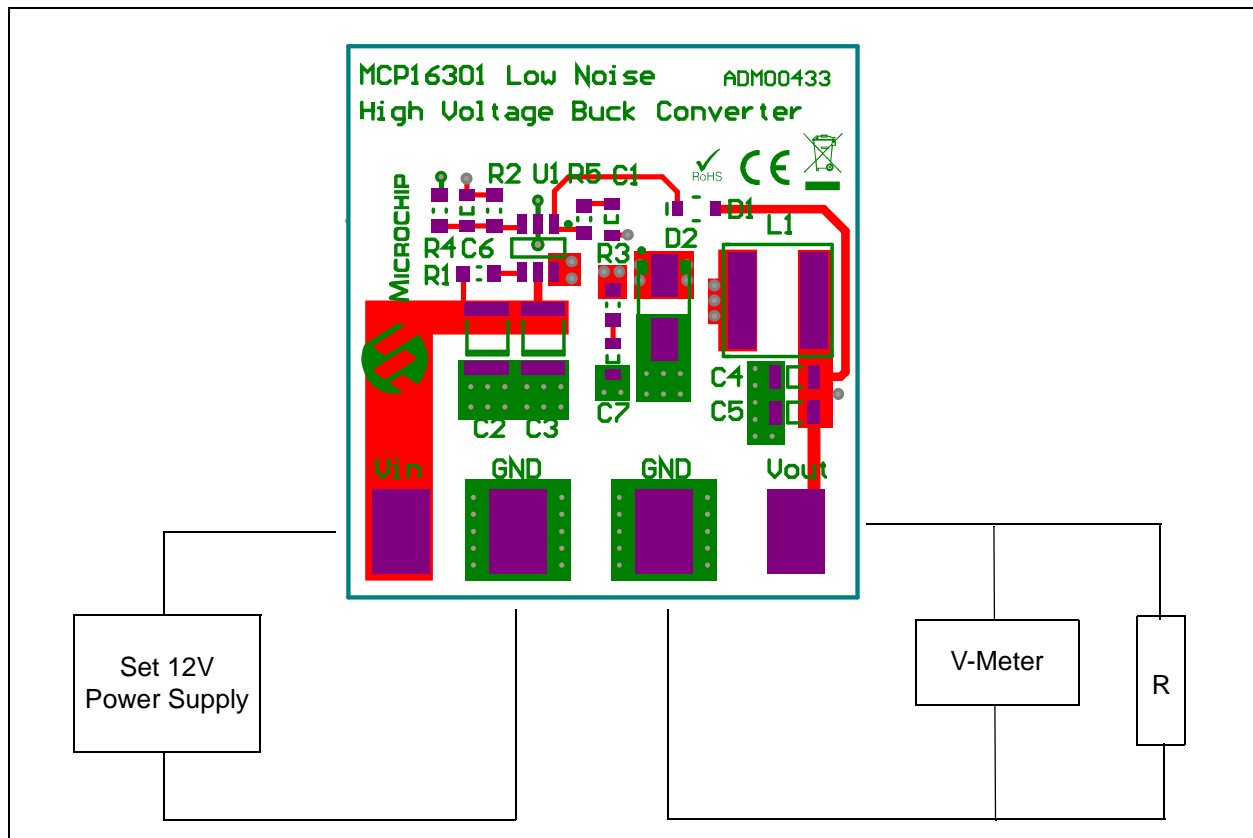
## 2.2.2 Board Testing

To test the board, follow these steps:

1. Apply the input voltage.
2. An external pull up resistor is connected from  $V_{IN}$  to the EN input of the MCP16301. Once the input voltage is greater than 3.5V, the device begins to switch. Apply greater than 6V supply to the input for proper operation. A minimum load is required to regulate the output to 5V. For minimum load requirements (light load conditions), see the device data sheet for detailed information.
3. The measured output voltage should be 5V typical. Adjusting the input voltage and load should not cause the output to vary more than a few mV over the operating range of the converter.
4. Typical conditions for evaluating the board are: 12V input, 100 mA load. Using an oscilloscope, measure the AC ripple of the output without any bandwidth limitation.  $V_{OUT}$  ripple plus noise should be approximately 30 mV. To avoid errors, remove the ground lead of the scope probe and measure the output ripple on the output capacitors pads. Use a short wire wrapped around the ground barrel of the probe to touch the capacitor's ground pad.

**Note:** The  $V_{OUT}$  ripple plus noise value varies with the input and output parameters.

Additional analysis can be performed by changing the RC snubber and  $R_{BOOST}$  resistor values (see Figure 2-1). These additional circuits lower the efficiency, but reduce switching noise.



**FIGURE 2-2:** MCP16301 High-Performance Low-Noise 5V Buck Converter Evaluation Board Setup Circuit.

### 2.2.3 How Does the MCP16301 High-Performance Low-Noise 5V Buck Converter Evaluation Board Work?

The MCP16301 integrates a low resistance N-Channel MOSFET (typically 460 m $\Omega$ ). A high-side or floating supply is needed to drive the gate of the N-Channel MOSFET above the input voltage (to turn it on). The evaluation board uses the 5V output voltage to charge the boost capacitor ( $C_{BOOST}$ ), while the inductor current flows, clamping the SW node to a diode drop below ground. Prior to start up, there is no inductor current, so an internal precharge circuit charges the boost cap up to a minimum threshold. Once  $C_{BOOST}$  is charged, the N-Channel MOSFET can be turned on, ramping current into the inductor. The BOOST diode is used to provide a charging path for the  $C_{BOOST}$  capacitor, while current is flowing through the inductor.

The two sense resistors ( $R_T$  and  $R_B$  in [Figure 2-1](#)) set the output ( $V_{OUT}$ ) at 5.0V according to the following equation:

#### EQUATION 2-1:

$$R_{TOP} = R_{BOT} \times \left( \frac{V_{OUT}}{V_{FB}} - 1 \right)$$

where  $V_{FB} = 0.8V$  is the reference voltage of the FB pin. The transconductance error amplifier gain is controlled by its internal impedance. The external divider resistors have no effect on system gain, so a wide range of values can be used. A 10 k $\Omega$  resistor is recommended as a good trade-off for quiescent current and noise immunity.

The MCP16301 device features integrated slope compensation to prevent the bimodal operation of the pulse-width modulation (PWM) duty cycle. Internally, approximately half of the inductor current down slope is summed with the internal current sense signal. For the proper amount of slope compensation, it is recommended to keep the inductor down-slope current constant by varying the inductance with  $V_{OUT}$ . For 5.0V output, a 22  $\mu H$  inductor is recommended.

The input capacitor must filter the high input ripple current, as a result of pulsing or chopping the input voltage. The MCP16301 input voltage pin is used to supply voltage for the power train and as a source for internal bias. A low Equivalent Series Resistance (ESR), preferably a ceramic capacitor, is recommended. The necessary capacitance is dependent upon the maximum load current and source impedance. Minimum capacitance at light load is 2.2  $\mu F$ .

The output capacitor helps in providing a stable output voltage during sudden load transients, and reduces the output voltage ripple. The minimum value of the output capacitance is limited to 20  $\mu F$ , due to the integrated compensation of the MCP16301.

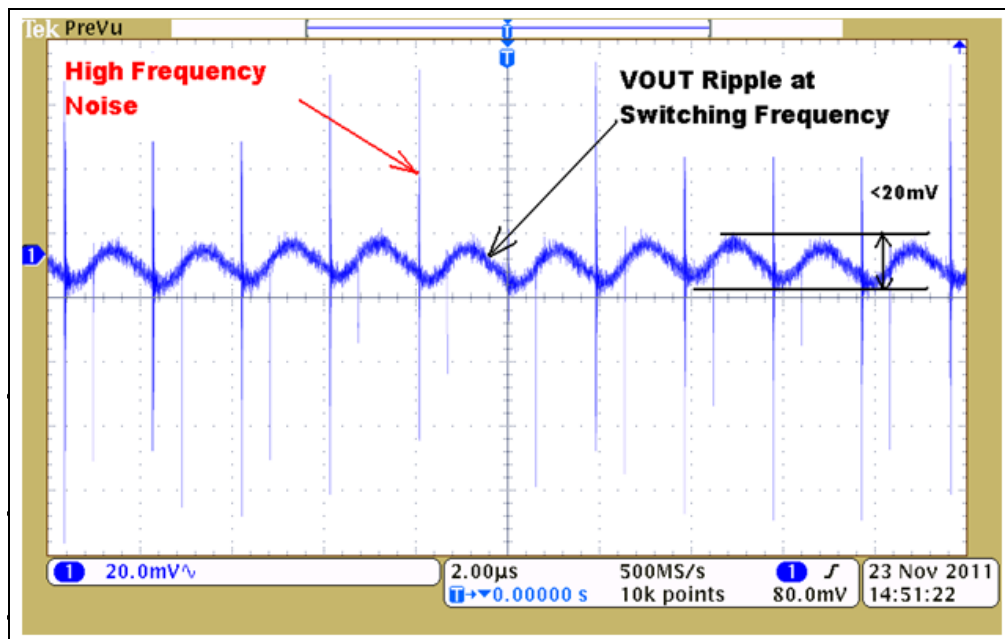
The freewheeling diode creates a path for inductor current flow after the internal switch is turned off. The efficiency of the converter is a function of the forward drop voltage value and speed of the freewheeling Schottky diode.

For detailed information, see the MCP16301 Data Sheet (DS25004).



## 2.2.4 Reduction of the High Frequency Switching Noise

Because the MCP16301's internal MOSFET is switching at 500 kHz, high-frequency noise may appear. This can affect the circuitry in close proximity. Parasitic elements generate ringing. There are two main noise sources. The first source occurs at the fundamental switching frequency and is called "Output Ripple". The second source, associated with high-frequency ringing, occurs during the ON-OFF transition of the integrated N-Channel MOSFET switch. This results in a high-frequency noise that can be in the range of 100s of MHz and up to 500 mV peak-to-peak voltage ripple. Both noise components require separate filtering. Figure 2-3 shows an example of the two noise components.



**FIGURE 2-3:**  $V_{OUT}$  Ripple and Noise for an MCP16301 Buck Converter Without Any Noise Reduction Components.

The low-frequency output ripple of the MCP16301 is generally less than 20 mV peak-to-peak, and it depends on the output capacitor value and capacitor dielectric type. Low ESR and Equivalent Series Inductance (ESL) ceramic capacitors significantly decrease the output voltage low-frequency ripple.

Additional output capacitance does not remove the high-frequency noise. Ceramic capacitors have high-impedance in the frequency band in which this noise occurs. The ringing frequency is very high, and the output capacitor alone or an extra low-value capacitor in parallel with it are ineffective in attenuating this noise. First, the noise can be attenuated by good PCB design practices. A four-layer board is recommended in this case. The solution is to place the SW node of the MCP16301 pin into the inner layer (Mid-Layer 2) as an individual plane between two ground planes (Mid-Layer 1 and Layer 4 - Bottom plane).

High-quality shielded inductors reduce the spreading of electromagnetic fields, a desirable characteristic of any power supply. An example of a high-quality shielded inductor is the CoilCraft Inc. XAL6060.

The third and most effective method to reduce switching noise is to slow down the turn-on of the integrated N-Channel MOSFET switch, addressing the noise at its source. This method lowers the efficiency of the converter insignificantly (see [Figure 2-6](#)), but the noise in the system is significantly reduced. A  $R_{BOOST}$  resistance value between 47 and 100 Ohms was typical for this analysis.

Placing an RC snubber in parallel with the external Schottky diode is another method that can be used to reduce high-frequency noise. Some basic equations are used to calculate the RC snubber values.

For example, the Schottky rectifier diode MBRA140T (1A/40V) has a parasitic  $L_p = 2$  nH and  $C_p = 38$  pF (see the MBRA140T data sheet for details). When measuring the MCP16301 High-Performance Low-Noise 5V Buck Converter Evaluation Board circuit without an RC snubber (for 12V Input and 100 mA load), the ringing frequency is approximately 250 MHz. Considering the parasitic inductance equal to  $L_p$ , calculate the parasitic impedance, using the following equation:

**EQUATION 2-2:**

$$Z = 2\pi fL_p$$

For this example,  $Z$  is approximately  $3\Omega$ . Choose a snubber resistor to be similar or greater than this value ( $4.7\Omega$  standard value).

**EQUATION 2-3:**

$$R_{Snubber} \geq Z$$

Where:

$$R_{Snubber} = 4.7\Omega$$

With the value of  $R_{Snubber}$  established, the snubber's capacitor value results from the following equation:

**EQUATION 2-4:**

$$C_{Snubber} = \frac{1}{2\pi fR_{Snubber}}$$

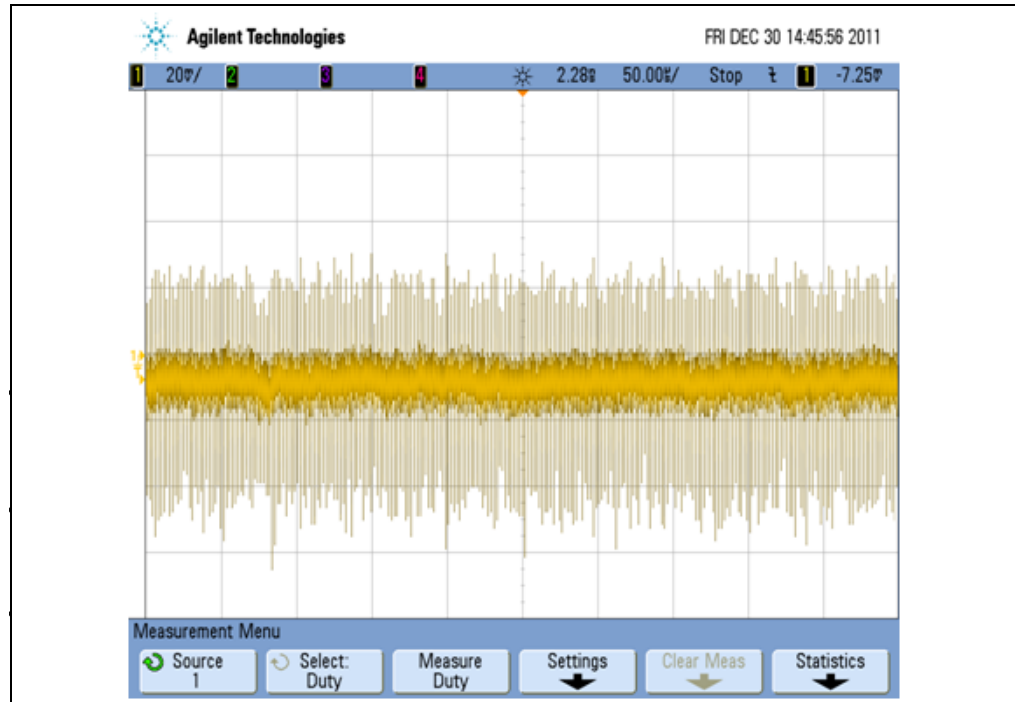
Where:

$$C_{Snubber} = 120 \text{ pF}$$

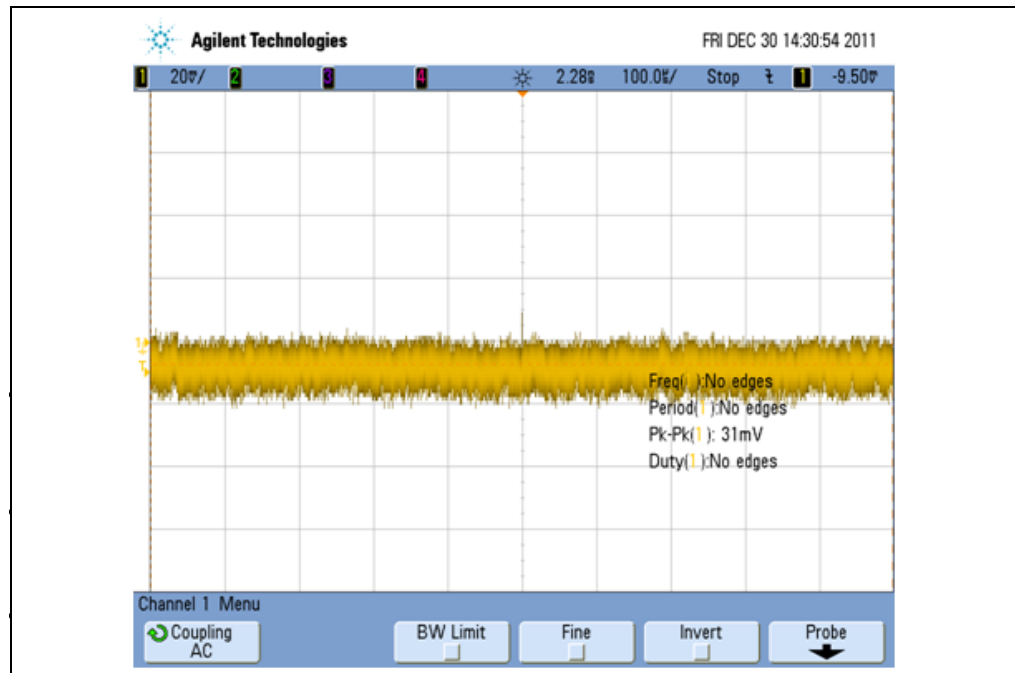
# Installation and Operation

Figures 2-4 – 2-6 show the results for the MCP16301 High-Performance Low-Noise 5V Buck Converter Evaluation Board:

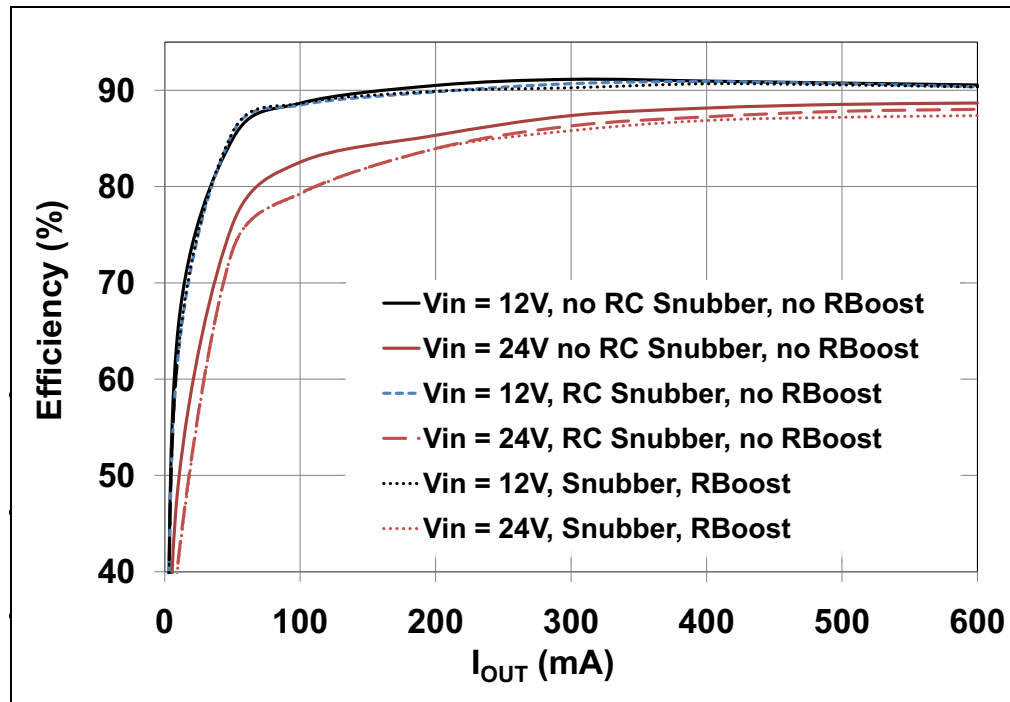
- AC output ripple for board with RC snubber only (Figure 2-4)
- AC output ripple for RC snubber and  $R_{BOOST}$  on board (Figure 2-5)
- Efficiency comparison with RC snubber and  $R_{BOOST}$  (Figure 2-6)



**FIGURE 2-4:**  $V_{OUT}$  Ripple of the Evaluation Board is less than  $80\text{ mV}_{p-p}$  using RC Snubber only (12V Input, 100 mA Load). Compare to Figure 2-3.



**FIGURE 2-5:**  $V_{OUT}$  Ripple of the Evaluation Board is less than  $30\text{ mV}_{p-p}$  using RC Snubber and  $R_{BOOST}$  (12V Input, 100 mA Load). Compare to Figures 2-3 and 2-4.



**FIGURE 2-6:** Efficiency Comparison for the MCP16301 High-Performance Low-Noise 5V Buck Converter Evaluation Board (12V and 24V Input).



**MICROCHIP**

# MCP16301 HIGH-PERFORMANCE LOW-NOISE 5V BUCK CONVERTER EVALUATION BOARD USER'S GUIDE

---

---

## Appendix A. Schematic and Layouts

---

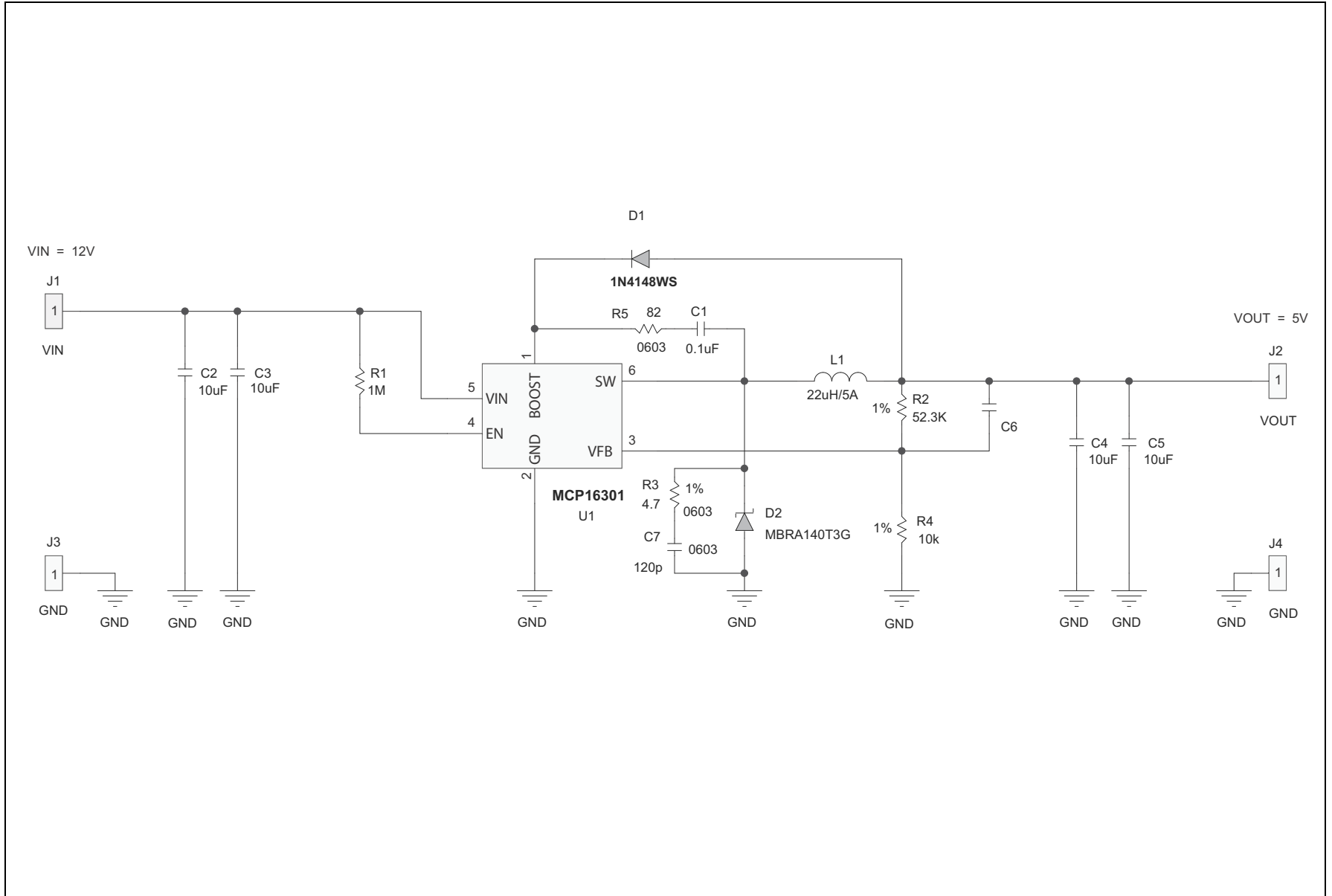
---

### A.1 INTRODUCTION

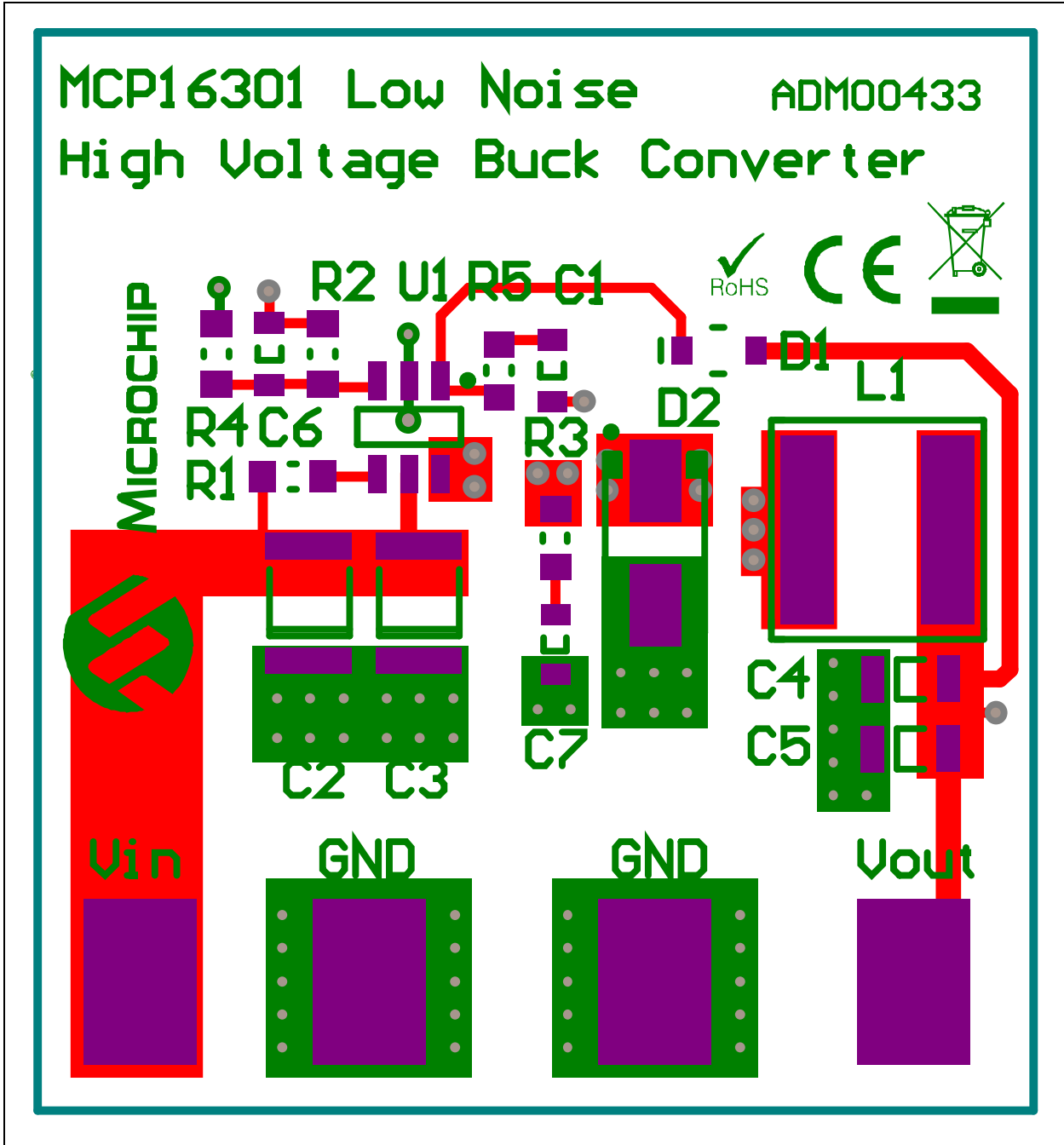
This appendix contains the following schematics and layouts for the MCP16301 High-Performance Low-Noise 5V Buck Converter Evaluation Board:

- Board – Schematic
- Board – Top Silk And Copper
- Board – Mid-Inner Layer 1
- Board – Mid-Inner Layer 2
- Board – Bottom Copper and Pads

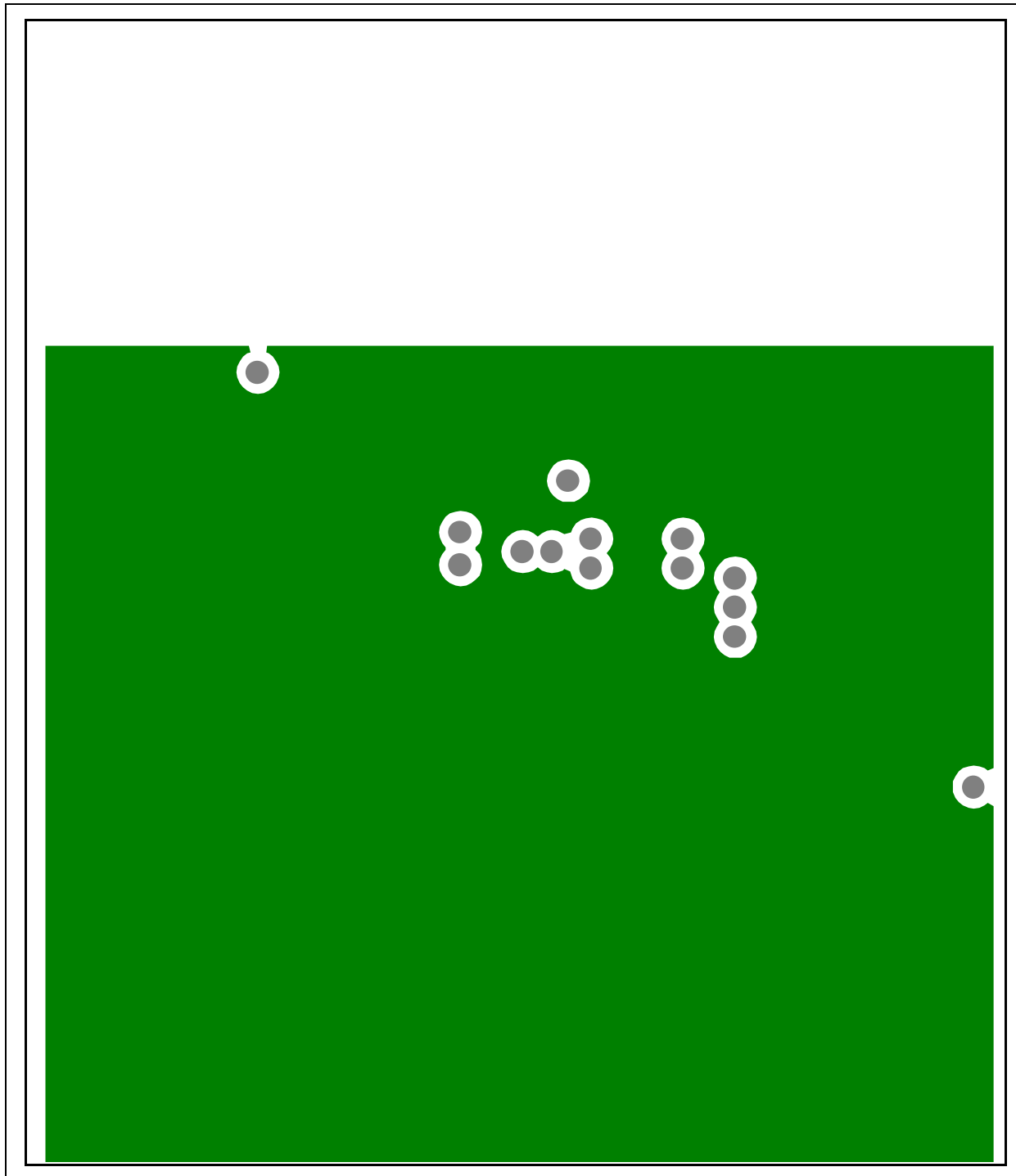
## A.2 BOARD – SCHEMATIC



## A.3 BOARD – TOP SILK AND COPPER

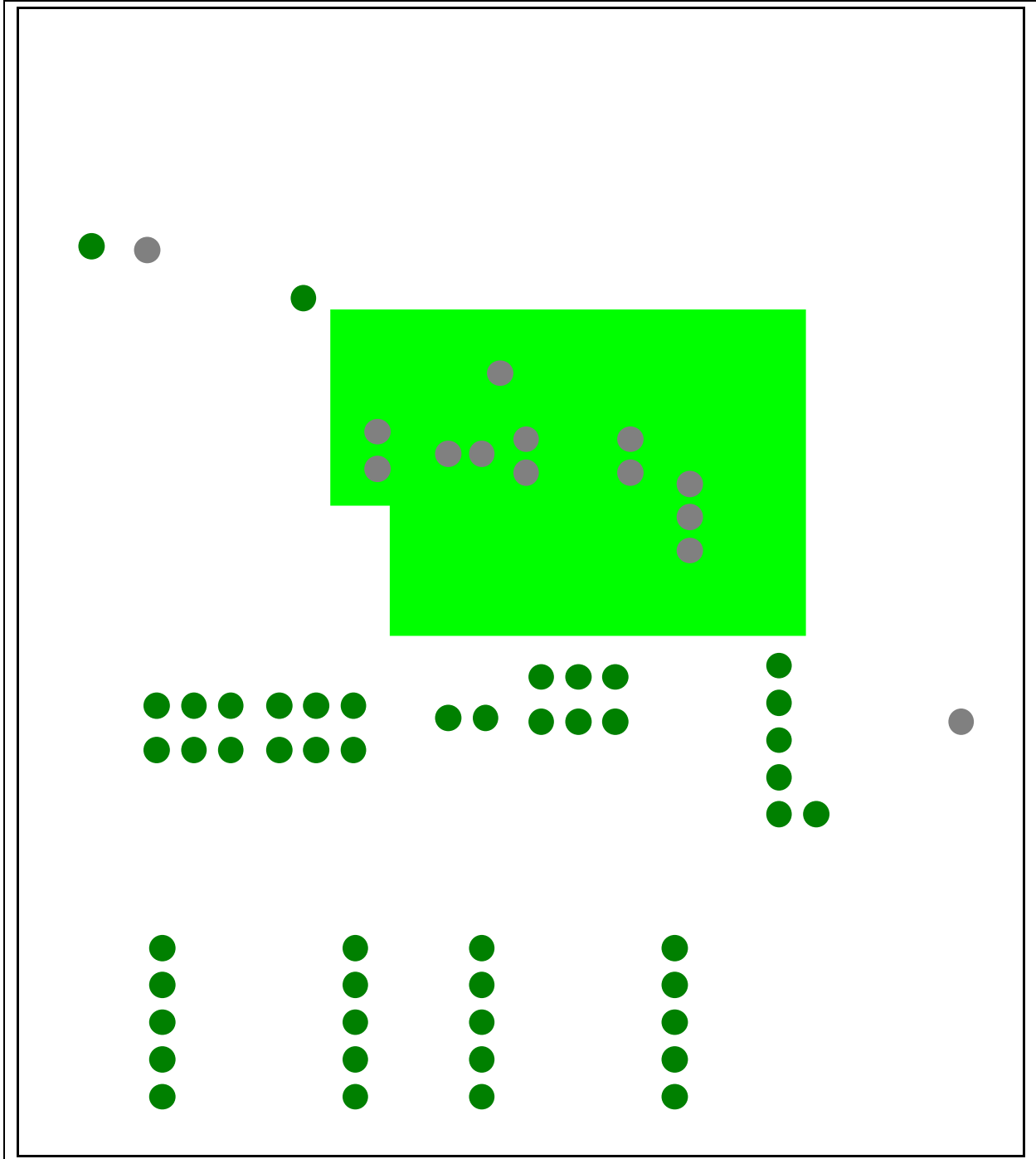


#### A.4 BOARD – MID-INNER LAYER 1

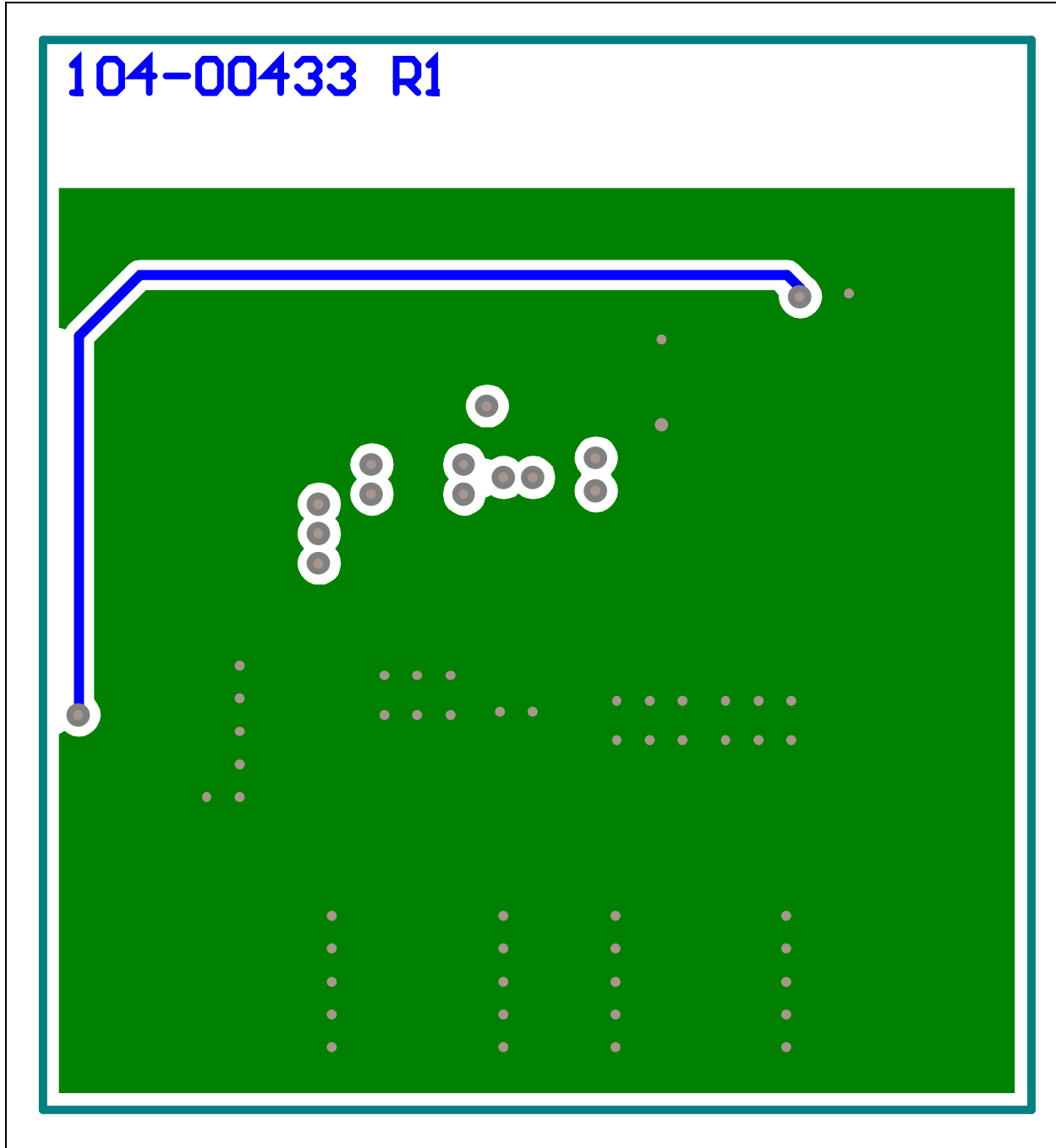




## A.5 BOARD – MID-INNER LAYER 2



A.6 BOARD – BOTTOM COPPER AND PADS



**MICROCHIP**

# MCP16301 HIGH-PERFORMANCE LOW-NOISE 5V BUCK CONVERTER EVALUATION BOARD USER'S GUIDE

## Appendix B. Bill of Materials (BOM)

**TABLE B-1: BILL OF MATERIALS (BOM)**

Qty.	Reference	Description	Manufacturer	Part Number
1	C1	Cap. ceramic 0.1 $\mu$ F 50V X7R 10% 0603	TDK <sup>®</sup> Corporation	C1608X7R1H104K
2	C2, C3	Cap. ceramic 10 $\mu$ F 50V X7S 1210	TDK Corporation	C3225X7S1H106M
2	C4, C5	Cap. ceramic 10 $\mu$ F 10V X7R 10% 0805	Murata Electronics <sup>®</sup>	GRM21BR71A106KE51L
0	C6	<b>DO NOT POPULATE</b>	—	—
1	C7	Capacitor, NP0, 0603, 100V, 120 pF	KEMET <sup>®</sup> Corp.	C0603C121J1GACTU
1	D1	Diode switch 75V 200 mW SOD323	Diodes <sup>®</sup> Incorporated	1N4148WS-7-F
1	D2	Diode Schottky 40V 1A SMA	ON Semiconductor <sup>®</sup>	MBRA140T3G
4	J1, J2, J3, J4	PC test point tin SMD	Harwin Plc.	S1751-46R
1	L1	Inductor 22 $\mu$ H 5A SMD	Coilcraft <sup>®</sup>	XAL6060-223MEB
1	PCB	Printed Circuit Board - MCP16301 High-Performance Low-Noise 5V Buck Converter Evaluation Board	—	104-00433
1	R1	Res. 1.0M Ohm 1/10W 5% 0603 SMD	Panasonic <sup>®</sup> - ECG	ERJ-3GEYJ105V
1	R2	Res. 52.3k Ohm 1/10W .1% 0603 SMD	Panasonic - ECG	ERA-3AEB5232V
1	R4	Res. 10k Ohm 1/10W 1% 0603 SMD	Panasonic - ECG	ERJ-3EKF1002V
1	R5	Res. 82 Ohm 1/10W 5% 0603 SMD	Panasonic - ECG	ERJ-3GEYJ820V
1	R3	Res. 4.7 Ohm 1/10W 1% 0603 SMD	Panasonic - ECG	ERJ-3RQF4R7V
1	U1	High-Voltage Input Integrated Switch Step-Down Regulator	Microchip Technology Inc.	MCP16301T-E/CH

**Note 1:** The components listed in this Bill of Materials are representative of the PCB assembly. The released BOM used in manufacturing uses all RoHS-compliant components.



# MICROCHIP

## Worldwide Sales and Service

### AMERICAS

**Corporate Office**  
2355 West Chandler Blvd.  
Chandler, AZ 85224-6199  
Tel: 480-792-7200  
Fax: 480-792-7277  
Technical Support:  
<http://www.microchip.com/support>  
Web Address:  
[www.microchip.com](http://www.microchip.com)

**Atlanta**  
Duluth, GA  
Tel: 678-957-9614  
Fax: 678-957-1455

**Boston**  
Westborough, MA  
Tel: 774-760-0087  
Fax: 774-760-0088

**Chicago**  
Itasca, IL  
Tel: 630-285-0071  
Fax: 630-285-0075

**Cleveland**  
Independence, OH  
Tel: 216-447-0464  
Fax: 216-447-0643

**Dallas**  
Addison, TX  
Tel: 972-818-7423  
Fax: 972-818-2924

**Detroit**  
Farmington Hills, MI  
Tel: 248-538-2250  
Fax: 248-538-2260

**Indianapolis**  
Noblesville, IN  
Tel: 317-773-8323  
Fax: 317-773-5453

**Los Angeles**  
Mission Viejo, CA  
Tel: 949-462-9523  
Fax: 949-462-9608

**Santa Clara**  
Santa Clara, CA  
Tel: 408-961-6444  
Fax: 408-961-6445

**Toronto**  
Mississauga, Ontario,  
Canada  
Tel: 905-673-0699  
Fax: 905-673-6509

### ASIA/PACIFIC

**Asia Pacific Office**  
Suites 3707-14, 37th Floor  
Tower 6, The Gateway  
Harbour City, Kowloon  
Hong Kong  
Tel: 852-2401-1200  
Fax: 852-2401-3431

**Australia - Sydney**  
Tel: 61-2-9868-6733  
Fax: 61-2-9868-6755

**China - Beijing**  
Tel: 86-10-8569-7000  
Fax: 86-10-8528-2104

**China - Chengdu**  
Tel: 86-28-8665-5511  
Fax: 86-28-8665-7889

**China - Chongqing**  
Tel: 86-23-8980-9588  
Fax: 86-23-8980-9500

**China - Hangzhou**  
Tel: 86-571-2819-3187  
Fax: 86-571-2819-3189

**China - Hong Kong SAR**  
Tel: 852-2943-5100  
Fax: 852-2401-3431

**China - Nanjing**  
Tel: 86-25-8473-2460  
Fax: 86-25-8473-2470

**China - Qingdao**  
Tel: 86-532-8502-7355  
Fax: 86-532-8502-7205

**China - Shanghai**  
Tel: 86-21-5407-5533  
Fax: 86-21-5407-5066

**China - Shenyang**  
Tel: 86-24-2334-2829  
Fax: 86-24-2334-2393

**China - Shenzhen**  
Tel: 86-755-8864-2200  
Fax: 86-755-8203-1760

**China - Wuhan**  
Tel: 86-27-5980-5300  
Fax: 86-27-5980-5118

**China - Xian**  
Tel: 86-29-8833-7252  
Fax: 86-29-8833-7256

**China - Xiamen**  
Tel: 86-592-2388138  
Fax: 86-592-2388130

**China - Zhuhai**  
Tel: 86-756-3210040  
Fax: 86-756-3210049

### ASIA/PACIFIC

**India - Bangalore**  
Tel: 91-80-3090-4444  
Fax: 91-80-3090-4123

**India - New Delhi**  
Tel: 91-11-4160-8631  
Fax: 91-11-4160-8632

**India - Pune**  
Tel: 91-20-2566-1512  
Fax: 91-20-2566-1513

**Japan - Osaka**  
Tel: 81-6-6152-7160  
Fax: 81-6-6152-9310

**Japan - Tokyo**  
Tel: 81-3-6880-3770  
Fax: 81-3-6880-3771

**Korea - Daegu**  
Tel: 82-53-744-4301  
Fax: 82-53-744-4302

**Korea - Seoul**  
Tel: 82-2-554-7200  
Fax: 82-2-558-5932 or  
82-2-558-5934

**Malaysia - Kuala Lumpur**  
Tel: 60-3-6201-9857  
Fax: 60-3-6201-9859

**Malaysia - Penang**  
Tel: 60-4-227-8870  
Fax: 60-4-227-4068

**Philippines - Manila**  
Tel: 63-2-634-9065  
Fax: 63-2-634-9069

**Singapore**  
Tel: 65-6334-8870  
Fax: 65-6334-8850

**Taiwan - Hsin Chu**  
Tel: 886-3-5778-366  
Fax: 886-3-5770-955

**Taiwan - Kaohsiung**  
Tel: 886-7-213-7828  
Fax: 886-7-330-9305

**Taiwan - Taipei**  
Tel: 886-2-2508-8600  
Fax: 886-2-2508-0102

**Thailand - Bangkok**  
Tel: 66-2-694-1351  
Fax: 66-2-694-1350

### EUROPE

**Austria - Wels**  
Tel: 43-7242-2244-39  
Fax: 43-7242-2244-393

**Denmark - Copenhagen**  
Tel: 45-4450-2828  
Fax: 45-4485-2829

**France - Paris**  
Tel: 33-1-69-53-63-20  
Fax: 33-1-69-30-90-79

**Germany - Munich**  
Tel: 49-89-627-144-0  
Fax: 49-89-627-144-44

**Italy - Milan**  
Tel: 39-0331-742611  
Fax: 39-0331-466781

**Netherlands - Drunen**  
Tel: 31-416-690399  
Fax: 31-416-690340

**Spain - Madrid**  
Tel: 34-91-708-08-90  
Fax: 34-91-708-08-91

**UK - Wokingham**  
Tel: 44-118-921-5869  
Fax: 44-118-921-5820

11/29/12