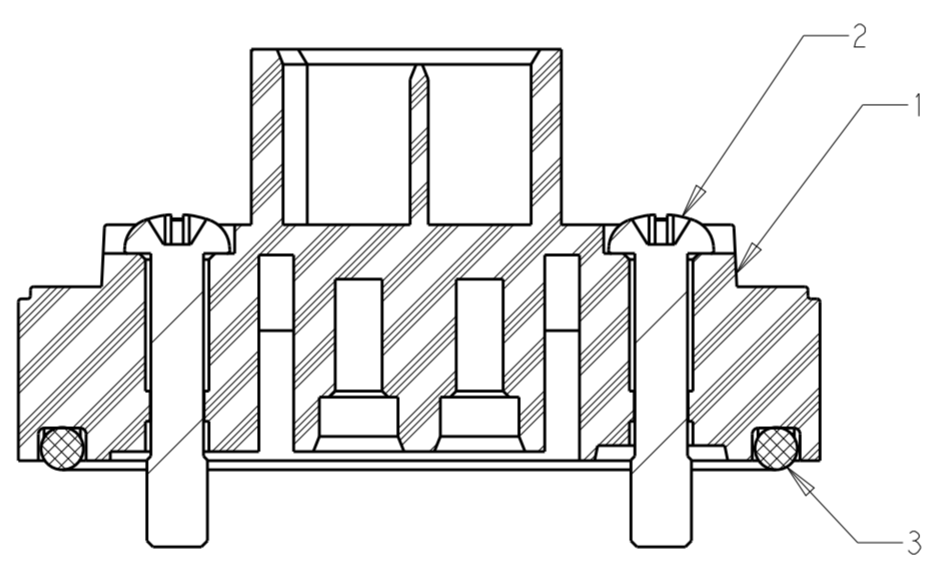
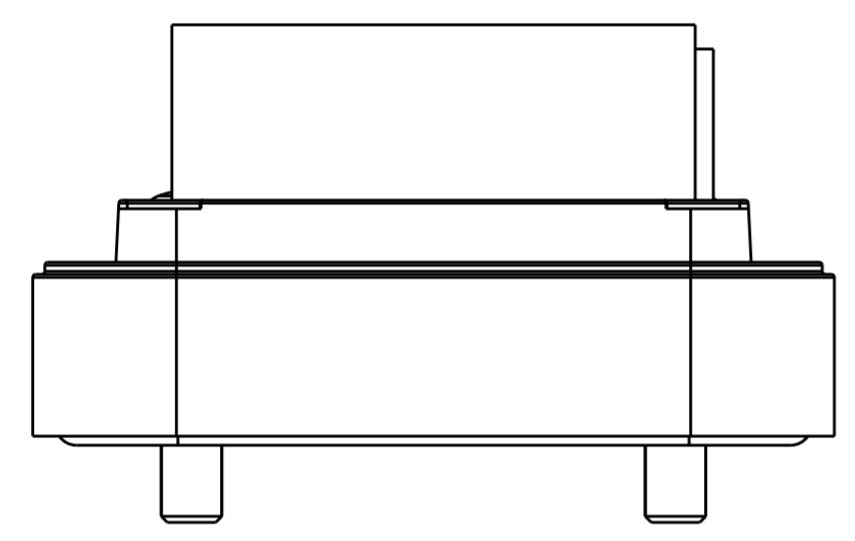
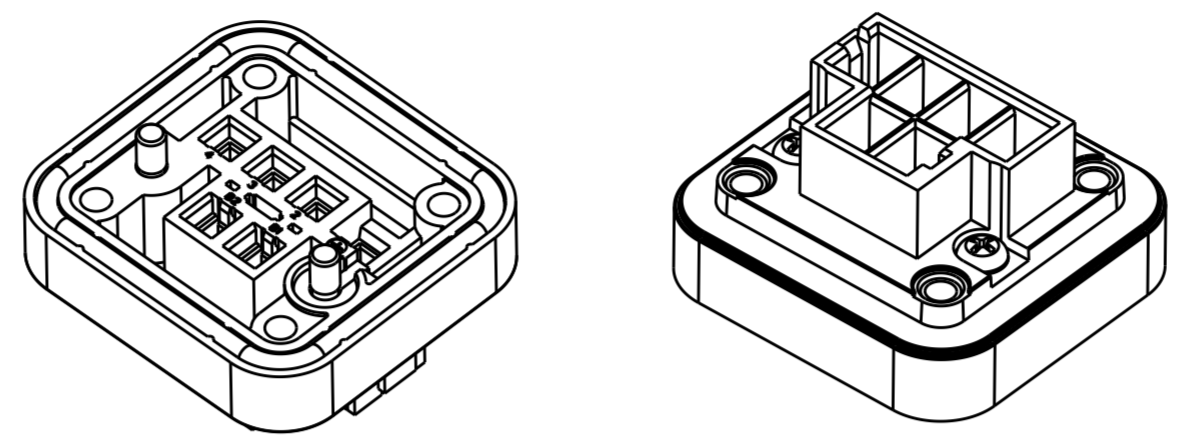
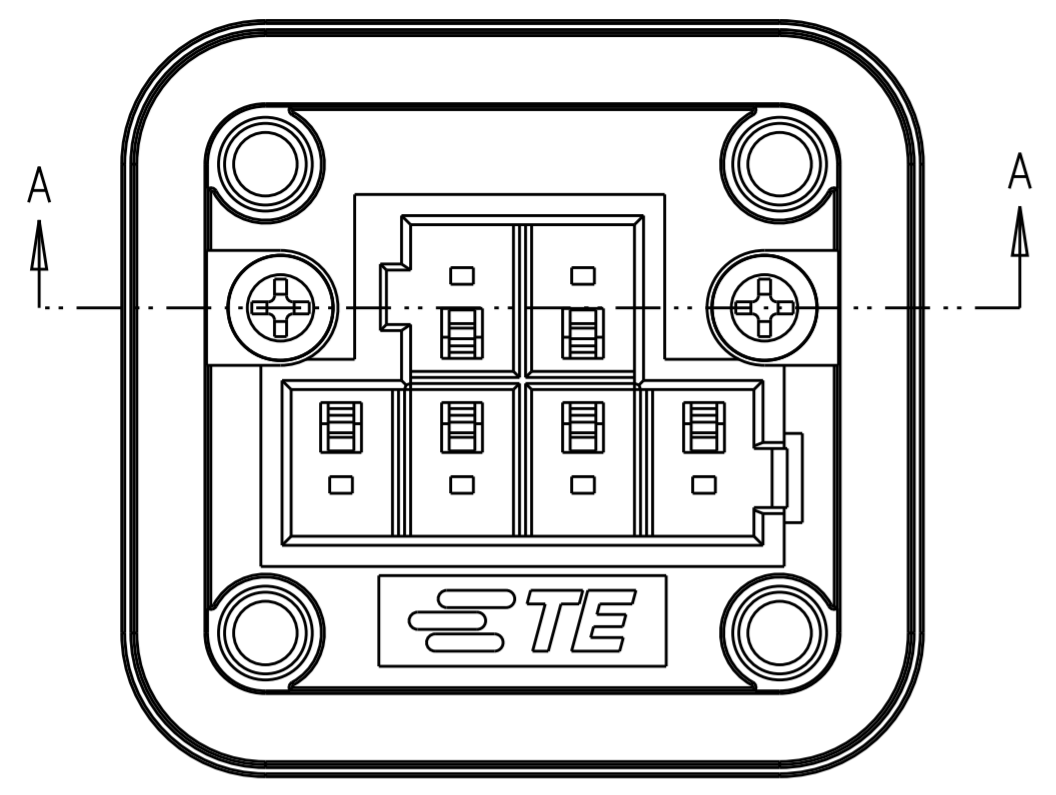
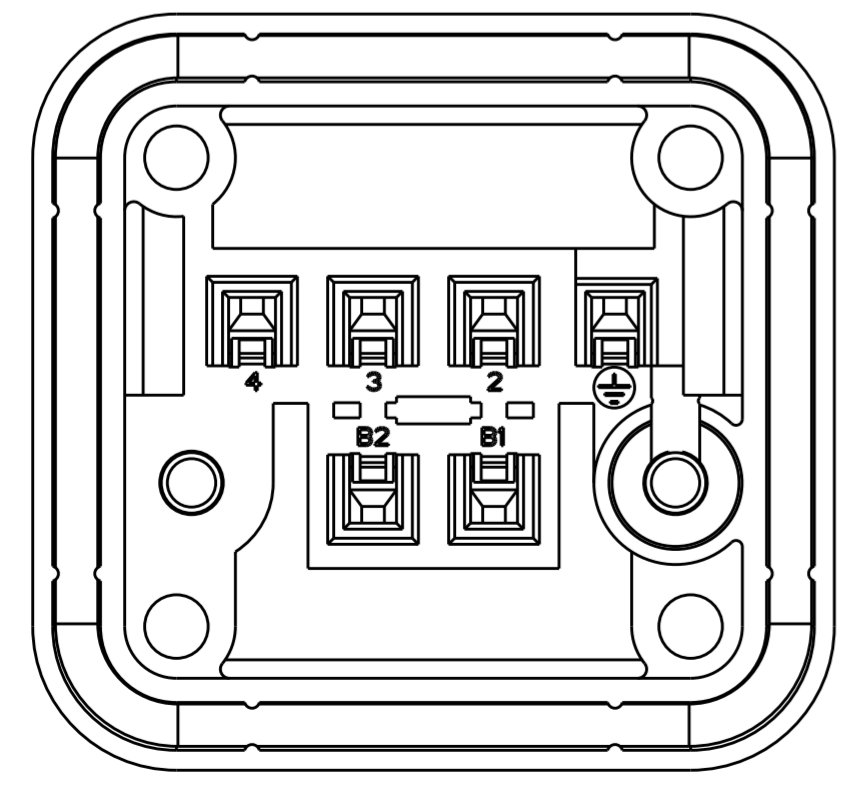
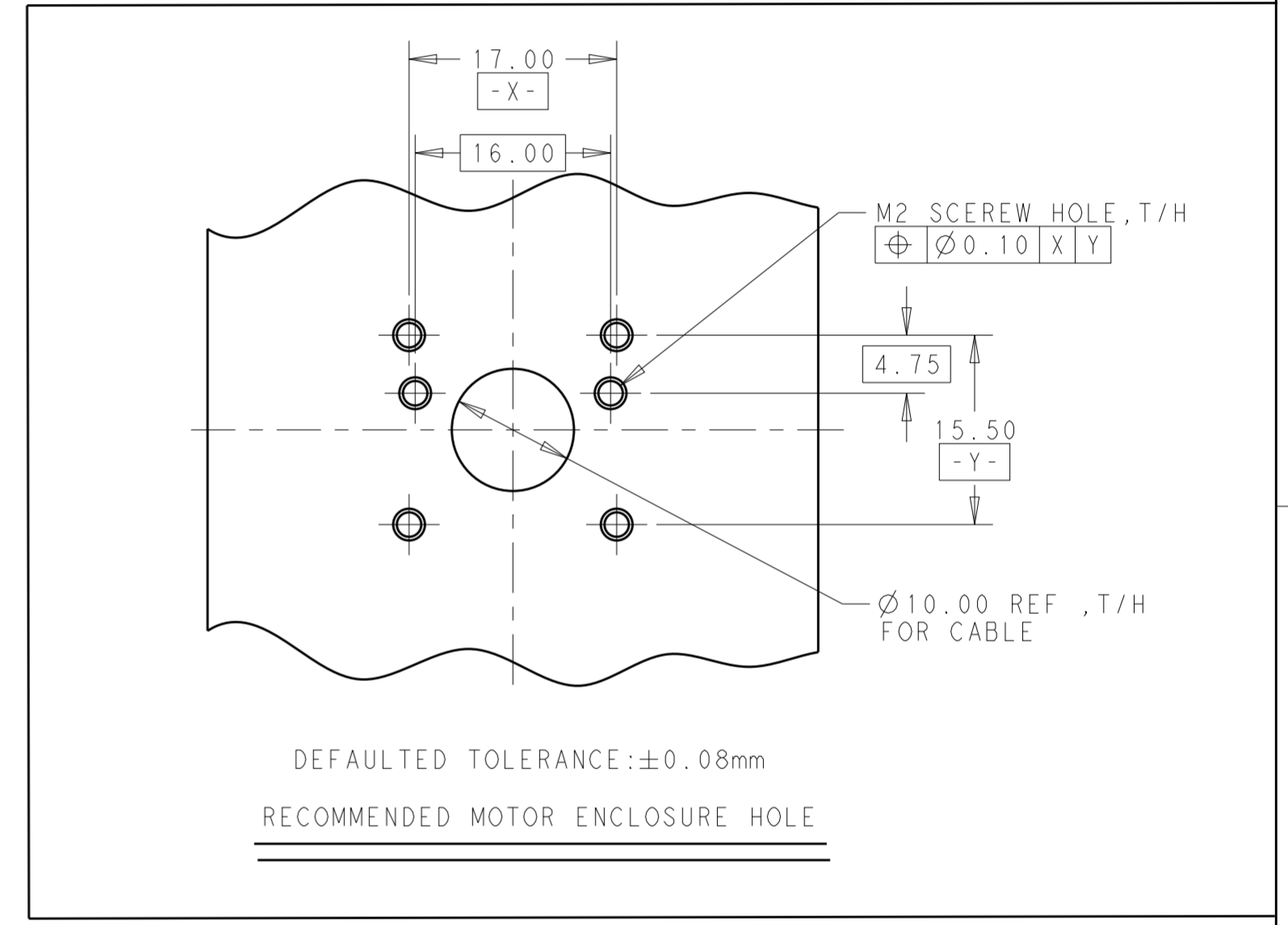


THIS DRAWING IS UNPUBLISHED. RELEASED FOR PUBLICATION 20
 © COPYRIGHT 20 BY - ALL RIGHTS RESERVED.

REVISIONS				
P	LTR	DESCRIPTION	DATE	APVD
A		INITIAL RELEASED	1 JUN 2015	W. N X. X



SECTION A-A



- NOTES
- 1 THE SCREW IS INSTALLED WHILE ROTATING ACCORDING TO SCREW PITCH (0.4mm/rev) WHEN THE SCREW IS INSTALLED, THE PROJECTION TO FIX THE SCREW IN THE CASE IS NOT DESTROYED
 - 2 COMPLIES WITH DIRECTIVES 2002/95/EC (ROHS)
 - 3 2271280-1 BOM SEE BELOW TABLE

ITEM	DESCRIBE	QUANTITY
3	POWER SEALING RING	1
2	M2 SCREW	2
1	PLUG HOUSING	1

THIS DRAWING IS A CONTROLLED DOCUMENT.		DWN Ning Wang 14MAY2015	STE TE Connectivity			
		CHK Kobby Zhao 14MAY2015				
		APVD Xiang Xu 14MAY2015	NAME CUSTOMER DRAWING FOR MMC MOTOR SIDE SUB ASSEMBLY			
DIMENSIONS: mm		PRODUCT SPEC 108-137039	SIZE A2	CAGE CODE -	DRAWING NO. C-2271280	RESTRICTED TO -
TOLERANCES UNLESS OTHERWISE SPECIFIED:		APPLICATION SPEC 114-137039	SCALE 2:1	SHEET 1 OF 1	REV A	
MATERIAL TBD		WEIGHT -	CUSTOMER DRAWING			