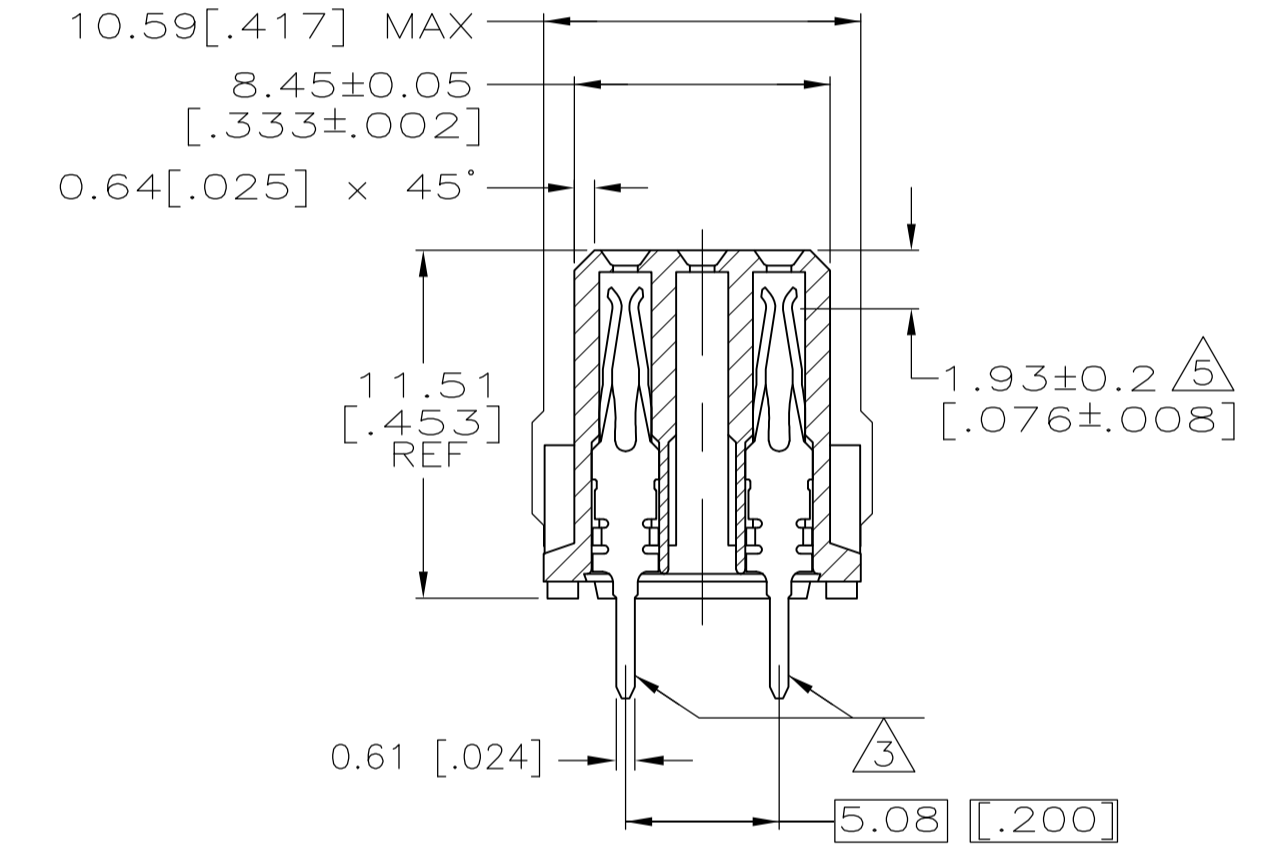
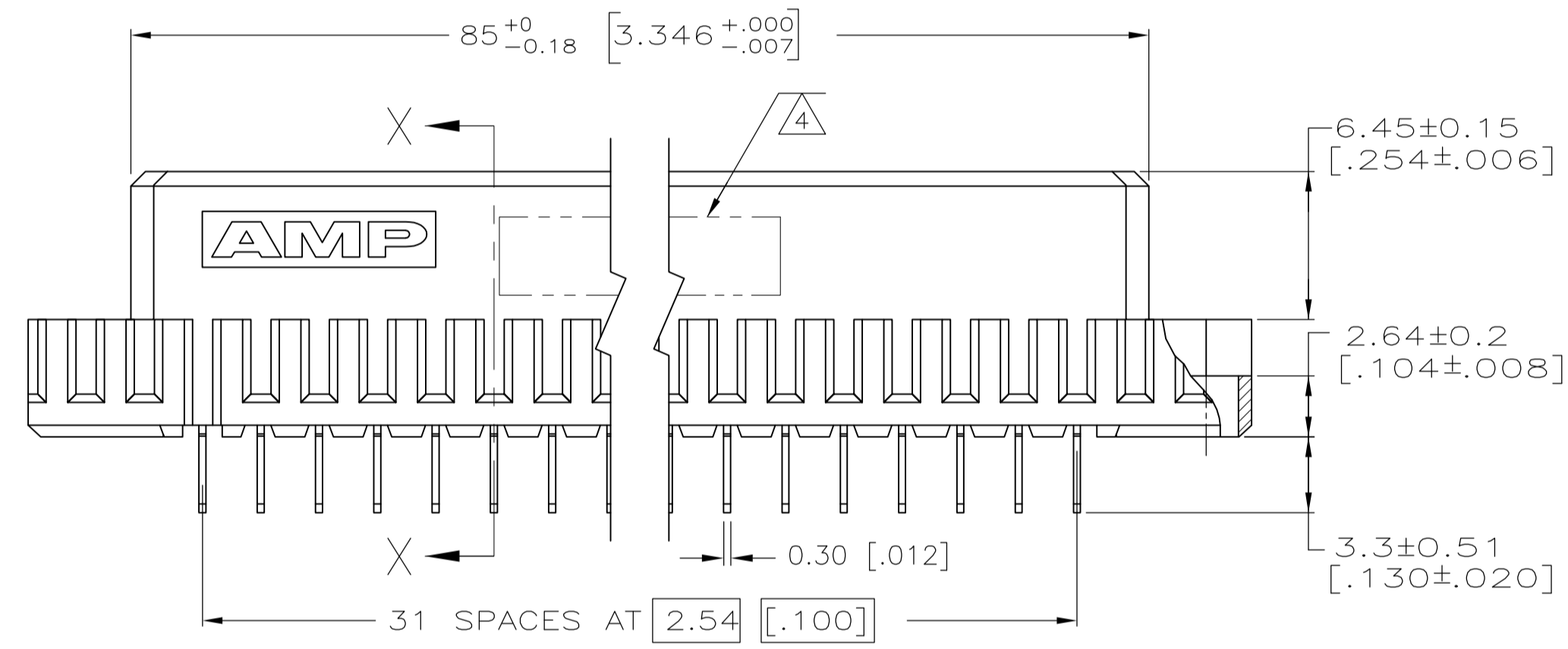
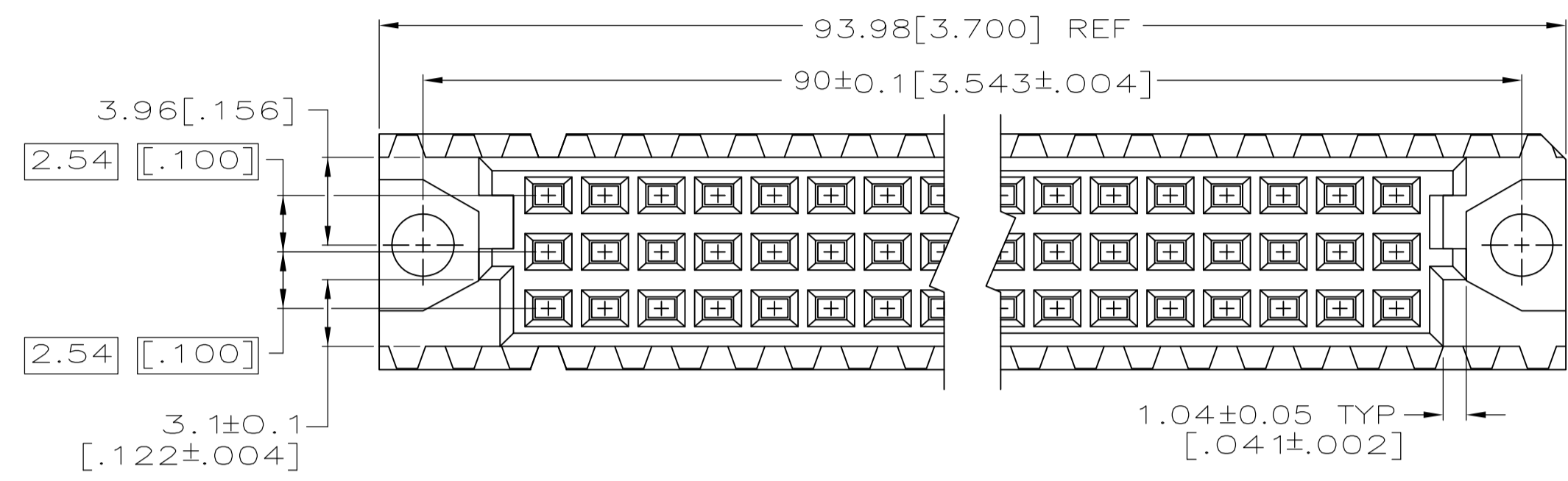
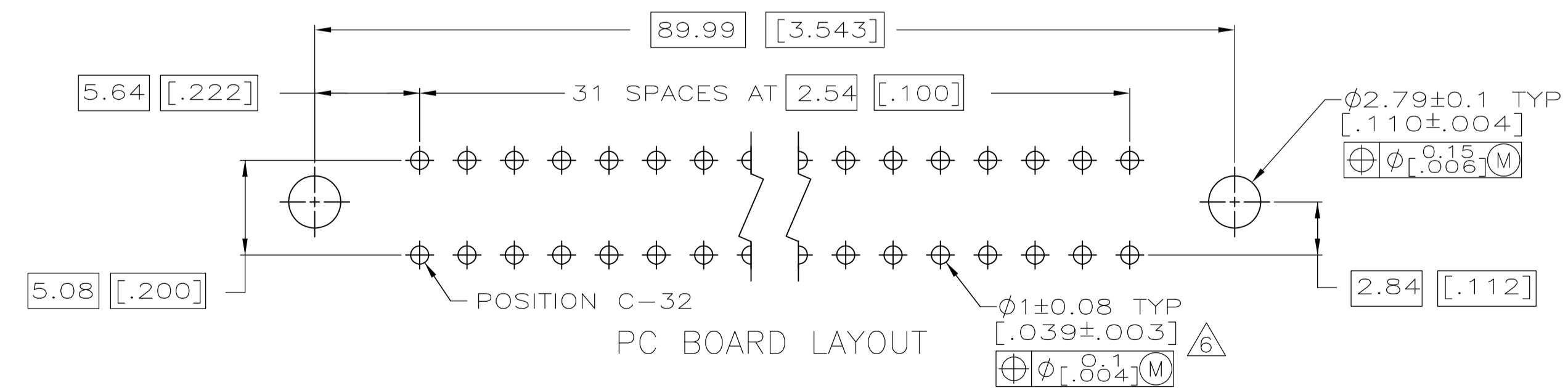
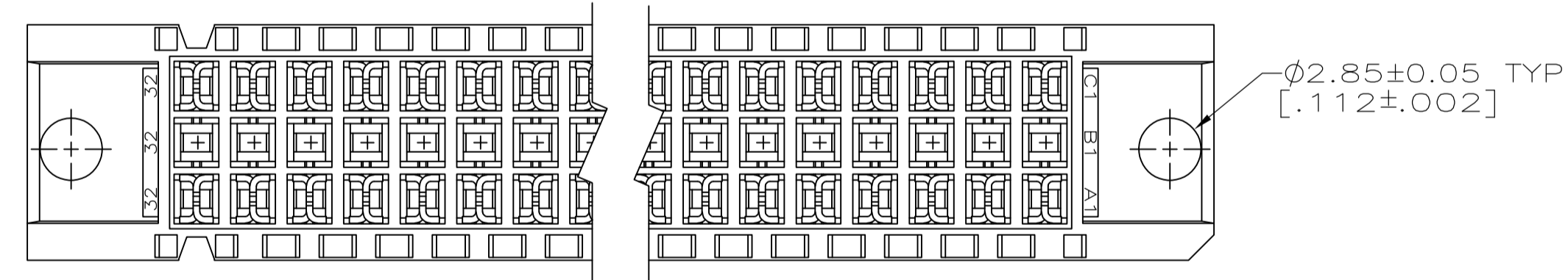


LOC	DIST	REVISONS			
AD	25	REV	DESCRIPTION	DATE	DWN
		A	REV PER ECO-12-002767	10FEB2012	BC RP

- △ HOUSING MATERIAL: GLASS-FILLED POLYMER.
- △ CONTACT MATERIAL: COPPER ALLOY.
- △ CONTACT FINISH: DIN 41612 CLASS 2 IN CONTACT AREA. TIN PLATE ON POSTS.
- △ PART NUMBER, DATE CODE IDENTIFICATION, CSA LOGO IN THIS APPROXIMATE AREA, ON REVERSE SIDE.
- △ CONTACT POINT.
- △ RECOMMENDED HOLE SIZE FOR MANUAL APPLICATION OF CONNECTOR ONTO PC BOARD.



SECTION X-X



1-32	C	32	5650956-5
NONE	B	0	
1-32	A	32	
POSITIONS LOADED	ROWS	NO. OF LOADED POSITIONS	PART NUMBER

THIS DRAWING IS A CONTROLLED DOCUMENT.

DIMENSIONS:	TOLERANCES UNLESS OTHERWISE SPECIFIED:	DIN	J. POLIGNONE	03JUN05
mm [INCHES]	0 PLC ± -	CHK	A. SHARPE	03JUN05
	1 PLC ± -	APVD	A. SHARPE	03JUN05
	2 PLC ± -	NAME	ASSEMBLY, RECEPTACLE, EUROCARD, TYPE C, LEAD-FREE, A and C, 64/96 POSITION, 3.30 [.130] SOLDER POSTS	
	3 PLC ± 0.1% (.005)	APPLICATION SPEC		
	4 PLC ± -	SIZE	CAGE CODE	DRAWING NO
	ANGLES ± -	WEIGHT	A1	00779
MATERIAL	FINISH	CUSTOMER DRAWING	SCALE	4:1
△1	△2		SHEET	1 of 1
	△3		REV	A

STE TE Connectivity