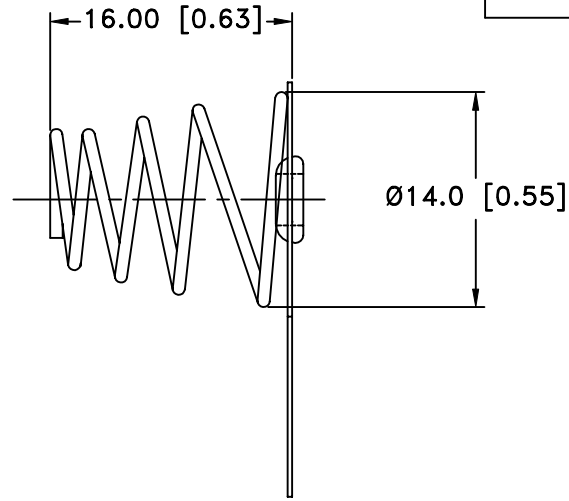
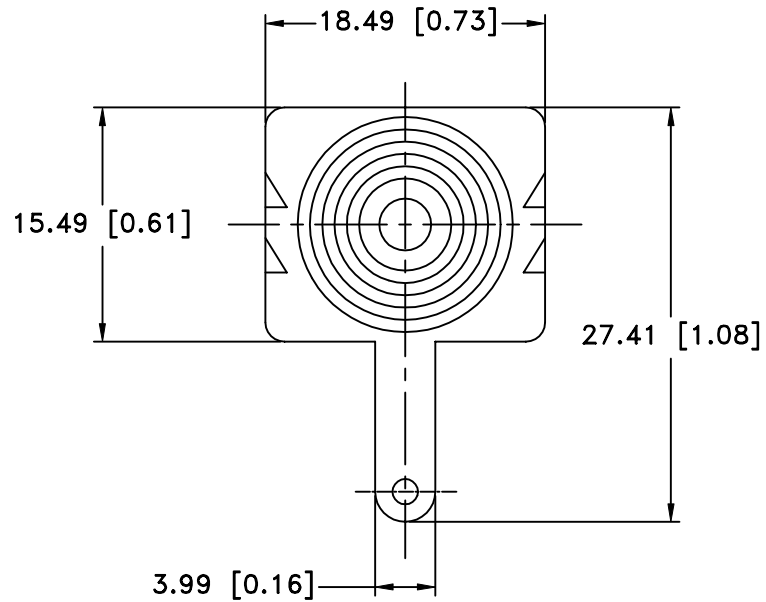



Date	SYM	REVISION RECORD	AUTH	DR.	CK.
03/15/03	A	TIN PLATED WAS NICKEL PLATED	T.B.	B.S.	



**NOTES:**

1. BASE: STEEL, 0.3mm (0.012") THICK. TIN PLTD.
2. SPRING: STEEL, 0.8mm (0.032") THICK. NICKEL PLTD.

Tolerance (Except as noted)	 <b>Memory Protection Devices, Inc</b> 200 Broad Hollow Road, Farmingdale, New York 11735		
decimal ±.5 (.020)			Scale
Fractional ± .8 (.030)	Title SNT8 "C" CELL BATTERY CONTACT		
Angular ± 3°	Date 03/15/03	Drawing Number SNT8-2	
		Approved By T.B.	