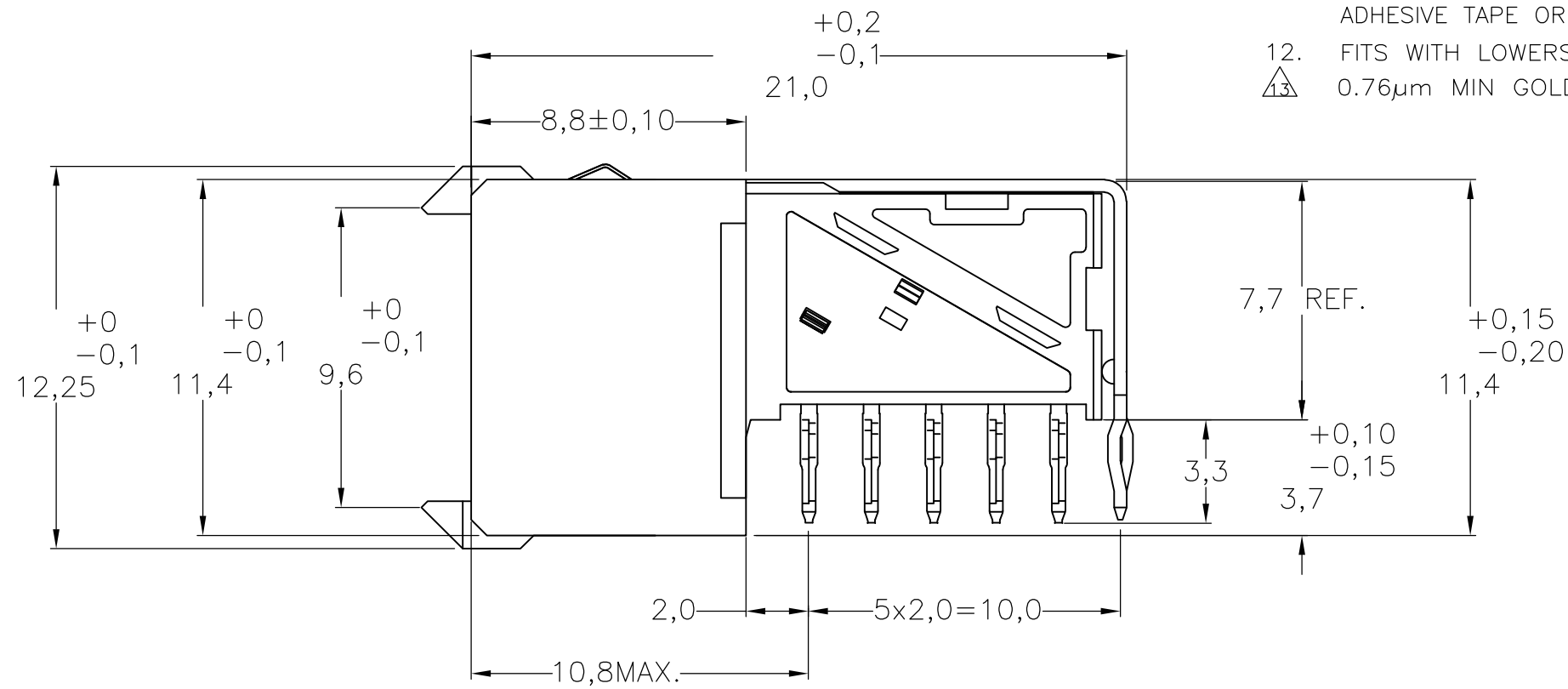
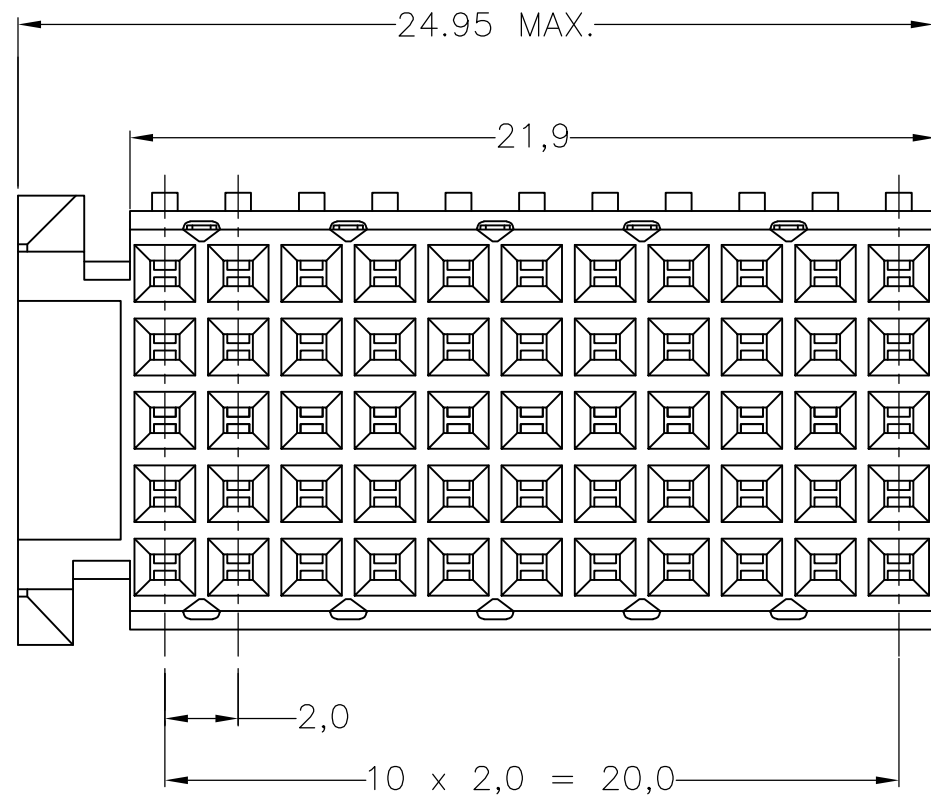
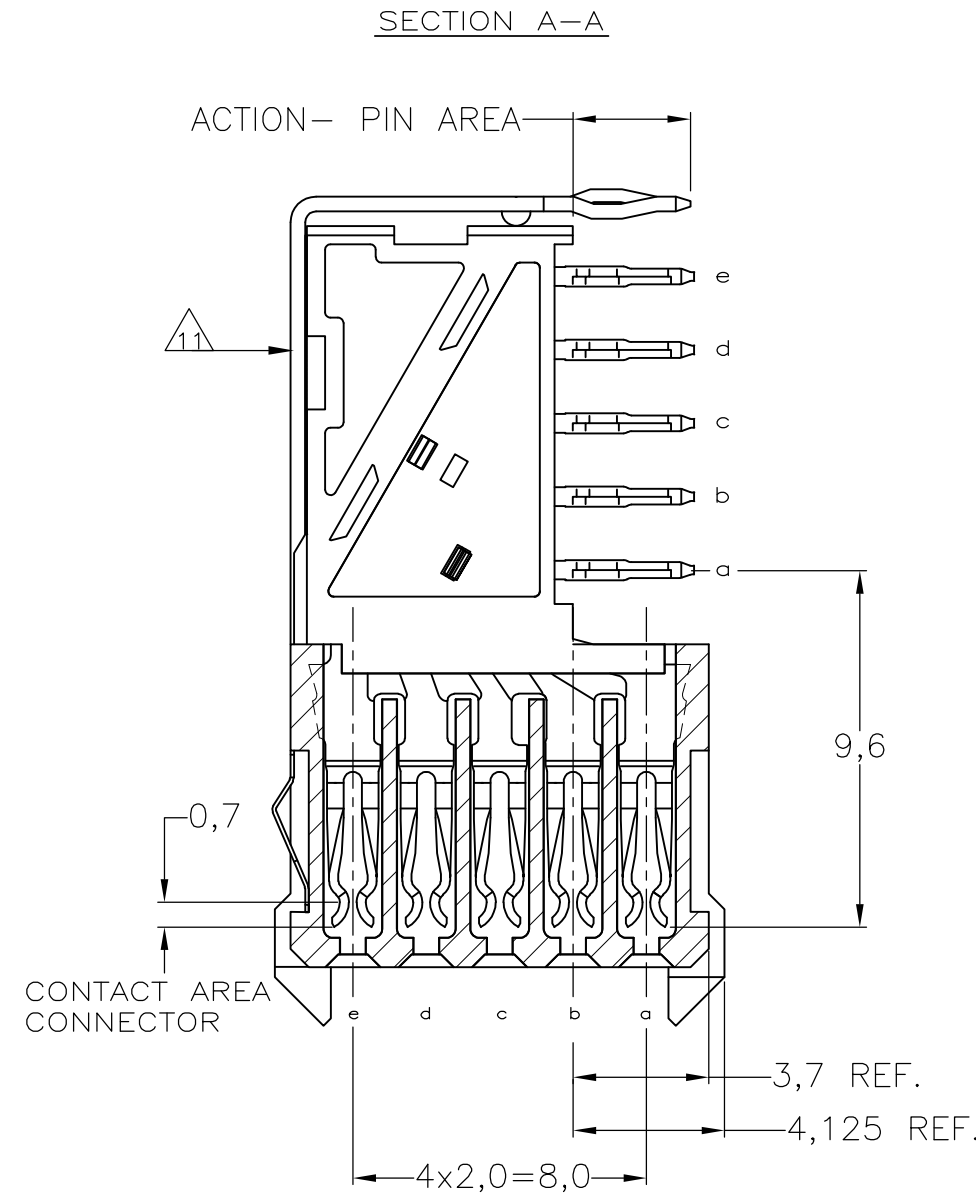
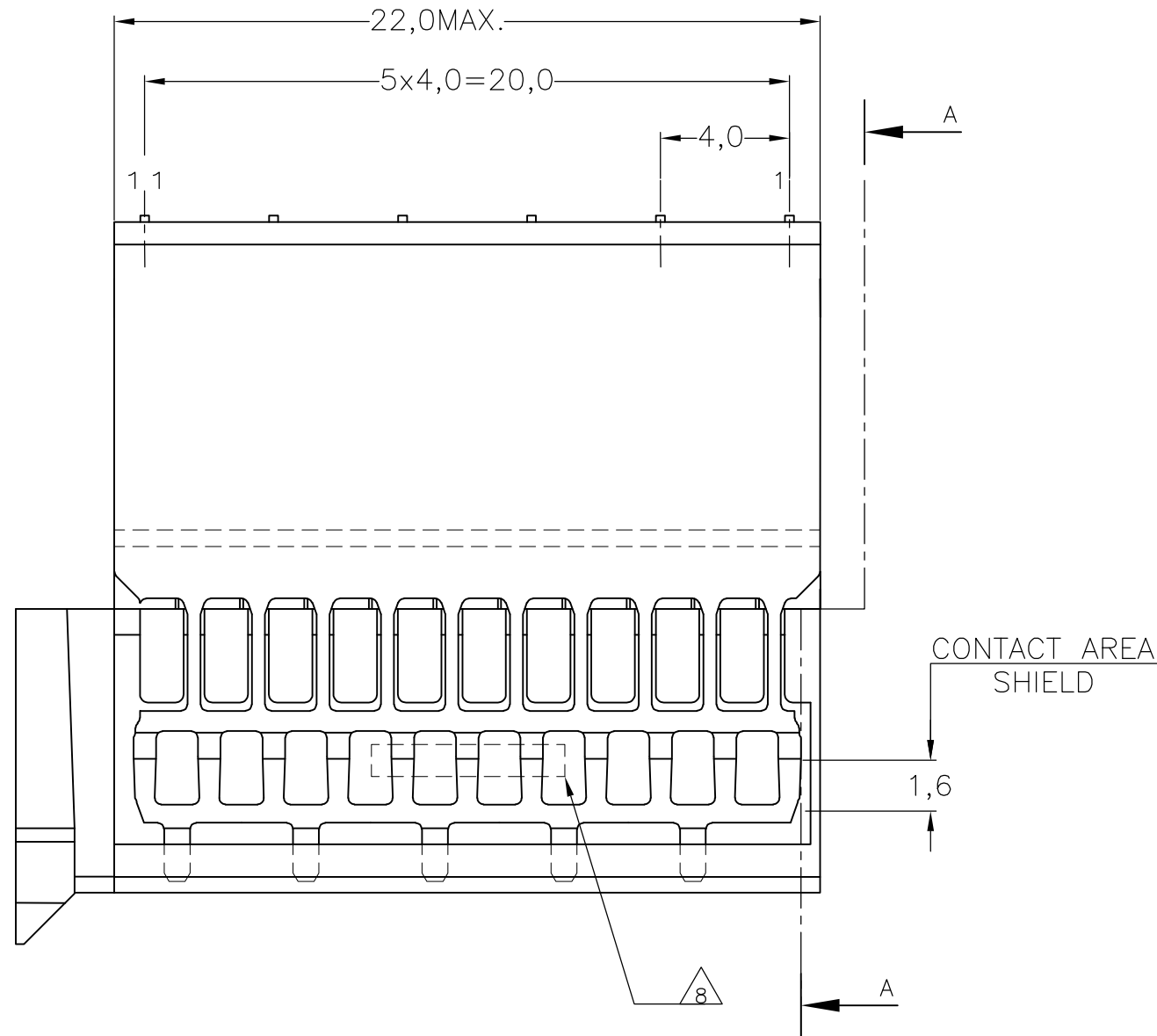


THIS DRAWING IS UNPUBLISHED. RELEASED FOR PUBLICATION
 © COPYRIGHT BY TYCO ELECTRONICS CORPORATION. ALL RIGHTS RESERVED.

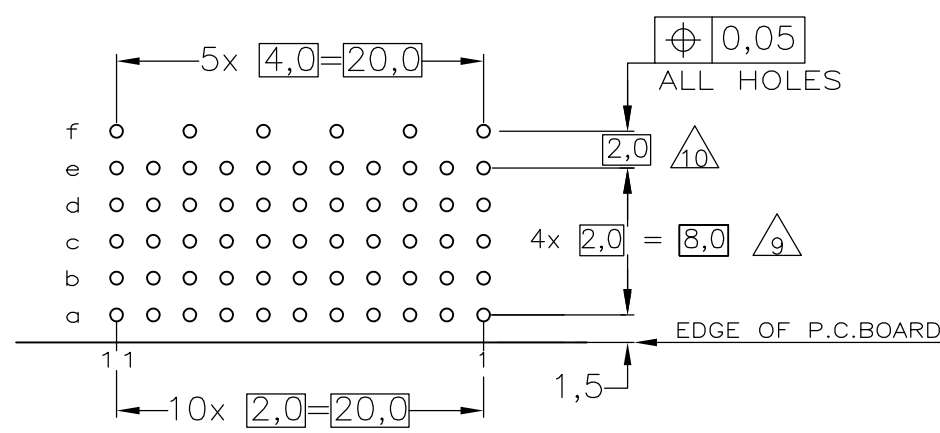
LOC	DIST	REVISIONS					
		P	LTR	DESCRIPTION	DATE	DWN	APVD
H	-	G4		REV PER ECR-10-000662	18JAN2010	JY	SY
		H		ECR-10-018652	10SEP10	SW	MQW
		J		ECO-11-024491	13DEC11	SY	MQW
		K		ECR-12-010544	6NOV12	SY	AC



NOTES:

- 1. MATERIAL CONTACTS; PHOSPHORBRONZE
MATERIAL SHIELD ; PHOSPHORBRONZE
MATERIAL HOUSING; GLASSFILLED POLYESTER (GRAY)
- 2. GENERAL PLATING SPECIFICATION: UNDERPLATING
(ENTIRE CONTACT): 1,27µm NICKEL MIN.AND ACTION
PIN: 0,5µm TIN-LEAD MIN.
FOR PLATING OF MATING SURFACES SEE APPLICABLE
SPECIFICATION REFERENCE FOR EACH DASH NUMBER.
- 3. CONFORMS TO ALL TESTING ACCORDING IEC 61076-4-101
PERFORMANCE LEVEL 2.
- 4. CONFORMS TO ALL TESTING ACCORDING IEC 61076-4-101
PERFORMANCE LEVEL 1.
- 5. CONNECTOR TESTED AND QUALIFIED AGAINST TELCORDIA GR-1217-CORE
QUALITY LEVEL III,CENTRAL OFFICE APPLICATIONS.
- 6. CONNECTOR LUBRICATED WITH TELCORDIA GR-1217-CORE
APPROVED LUBRICANT.
- 7. PLATING SHIELD
CONTACT AREA : 0,76µm Au MIN.
ACTION PIN : 0,5µm SnPb MIN.
REMAINDER : Ni
- 8. ASSEMBLY PRINTED WITH P/N AND DATECODE
THE MARKING CAN APPEAR ON THE FRONT SIDE
OR BACK SIDE.
- 9. HOLE PATTERN FOR FEMALE CONNECTOR TYPE C
55 PLATED-THROUGH HOLES AT 2x2mm SQUARE GRID
- 10. ROW "f" 6 PLATED THROUGH HOLES FOR UPPERSHIELD
- 11. SHIELD MOUNTED ON CONNECTOR WITH DOUBLE SIDED
ADHESIVE TAPE OR ADHESIVE
- 12. FITS WITH LOWERSHIELD, BASIC PARTNUMBER : 352112.
- 13. 0.76µm MIN GOLD PLATING AT MATING SURFACES.

COMPONENT SIDE AS SHOWN
 RECOMMENDED PCB-HOLE LAY-OUT
 SCALE 2,5:1



P.C.B. HOLE DIM. ACTION PIN
 FOR DETAILS SEE
 APPLICATION SPECIFICATION

FINISH	MATERIAL	PARTNUMBER
2 3 7 13	1	3-352115-0
2 5 6 7	1	352115-9
2 4 7	1	352115-4
2 3 7	1	352115-1

THIS DRAWING IS A CONTROLLED DOCUMENT.		DWN D. TRUREN	20JAN97	Tyco Electronics Corporation s-HertogenBosch,Netherlands,	
DIMENSIONS: MM		CHK -	APVD -	NAME Z-PACK 2mm HM TYPE C - 11 COLUMNS PRE-SHIELDED RECEPTACLE	
TOLERANCES UNLESS OTHERWISE SPECIFIED: 0-PLC ± 1-PLC ± 2-PLC ± ±0.2 3-PLC ± 4-PLC ± ANGLES ±		PRODUCT SPEC 108-19082		SIZE A2	
MATERIAL -		FINISH -		CAGE CODE 00779	
		WEIGHT -		DRAWING NO 352115	
CUSTOMER DRAWING				SCALE NTS	SHEET 1 OF 1
				REV K	